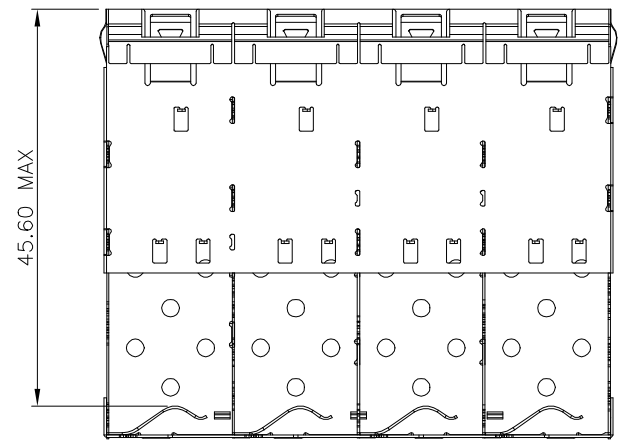
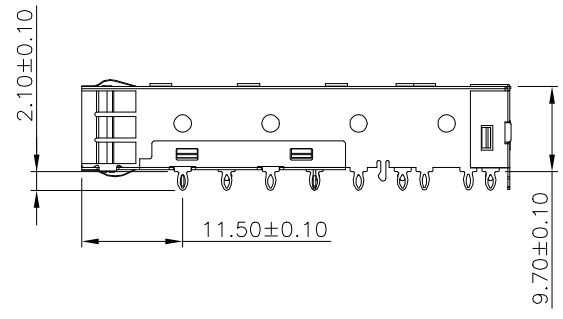
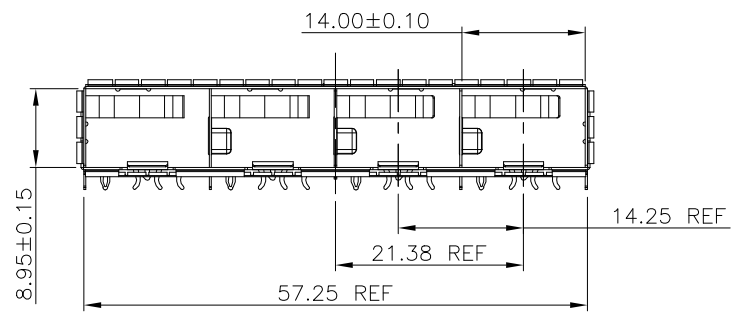
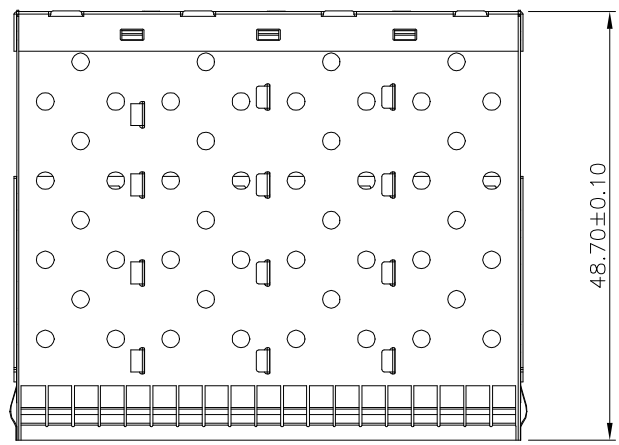


REV.	SPECIFICATION	ECN NO.	APPD.

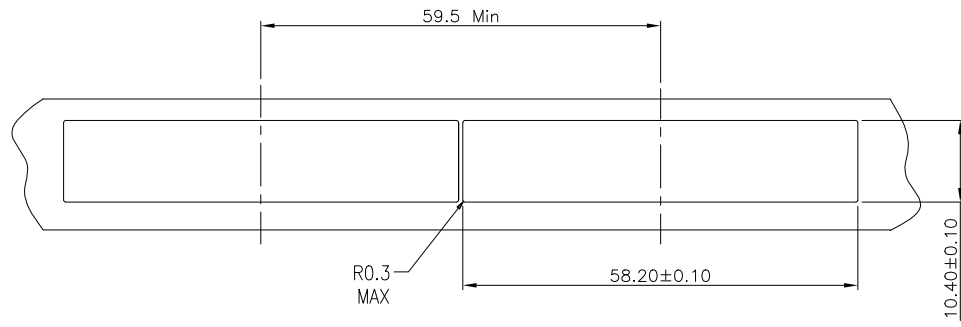
Material:
Cage: Cu-Ni Alloy, 30u" Nickel Plated.
Spring: Cu-Ni Alloy, 30u" Nickel Plated.
Electrical Characteristics:
 Operating Temperature: -40°C~+85°C.
***RoHS Compliant**



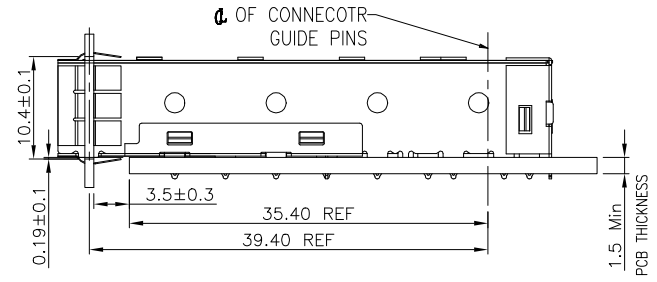
8951-E 4 P P 0 A
 Series ———
 4: 4Ports ———
 P: Press Fit ———
 A: Tray Package
 0: W/O Light pipe
 P: Spring Plus

Tolerances .x = ±0.25 .xx = ±0.13 .xxx = ±0.10	Dwg. No.	8951D00021		Title: 8951-E Series SFP+ 1X4 Cage Press Fit Type	 OUPIIN ELECTRONIC(KUNSHAN) CO., LTD. P/N: 8951-E4PPOA	
	Projection					
	Unit	mm	Scale			1:N
	Drawn By	Martin 04/28'23				① 619
SHEET		1/3	Ver.No.	A1		

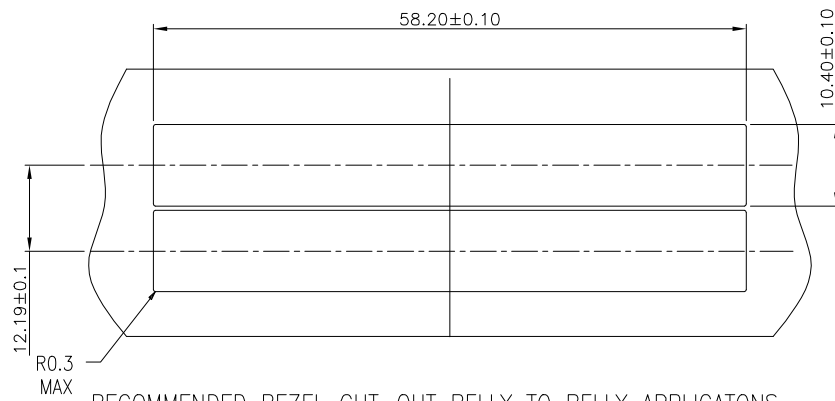
REV.	SPECIFICATION	ECN NO.	APPD.



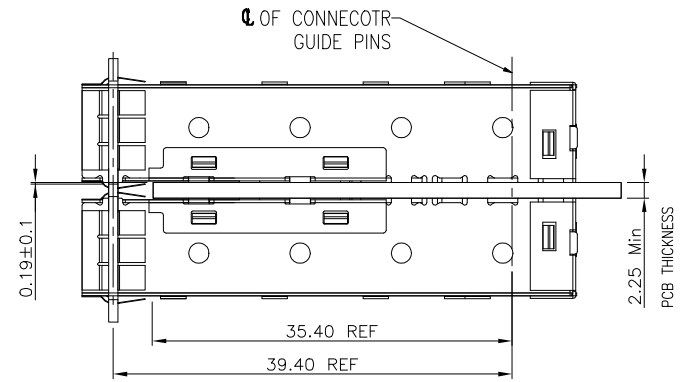
RECOMMENDED BEZEL CUT-OUT SINGLE SIDED APPLICATIONS





MOUNTED ON PC BOARD SHOWN THRU RECOMMENDED BEZEL



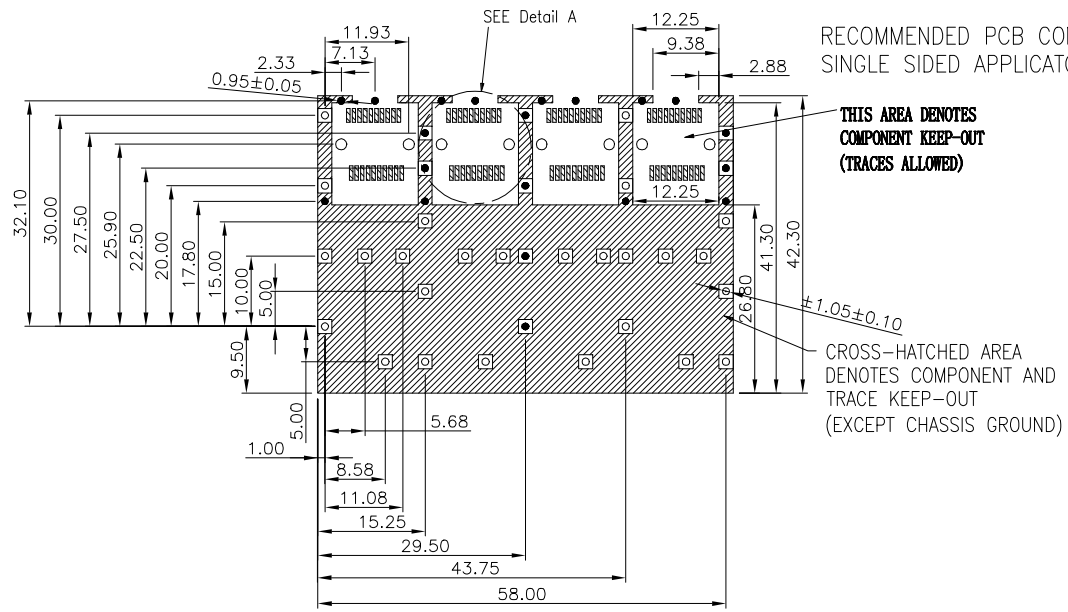
RECOMMENDED BEZEL CUT-OUT BELLY TO BELLY APPLICATIONS



MOUNTED BELLY TO BELLY ON PC BOARD SHOWN THRU RECOMMENDED BEZEL

Tolerances .x = ±0.25 .xx = ±0.13 .xxx = ±0.10	Dwg. No. 8951D00021		Title: 8951-E Series		 OUPIIN ELECTRONIC(KUNSHAN) CO., LTD. P/N: 8951-E4PPOA
	Projection 		SFP+ 1X4 Cage		
	Unit mm	Scale 1:N	Press Fit Type		
	Drawn By Martin 04/28'23	① 619	SHEET 2/3	Ver.No. A1	

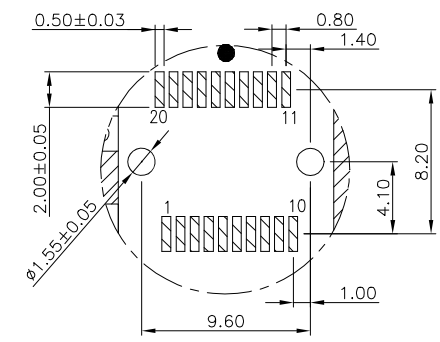
REV.	SPECIFICATION	ECN NO.	APPD.



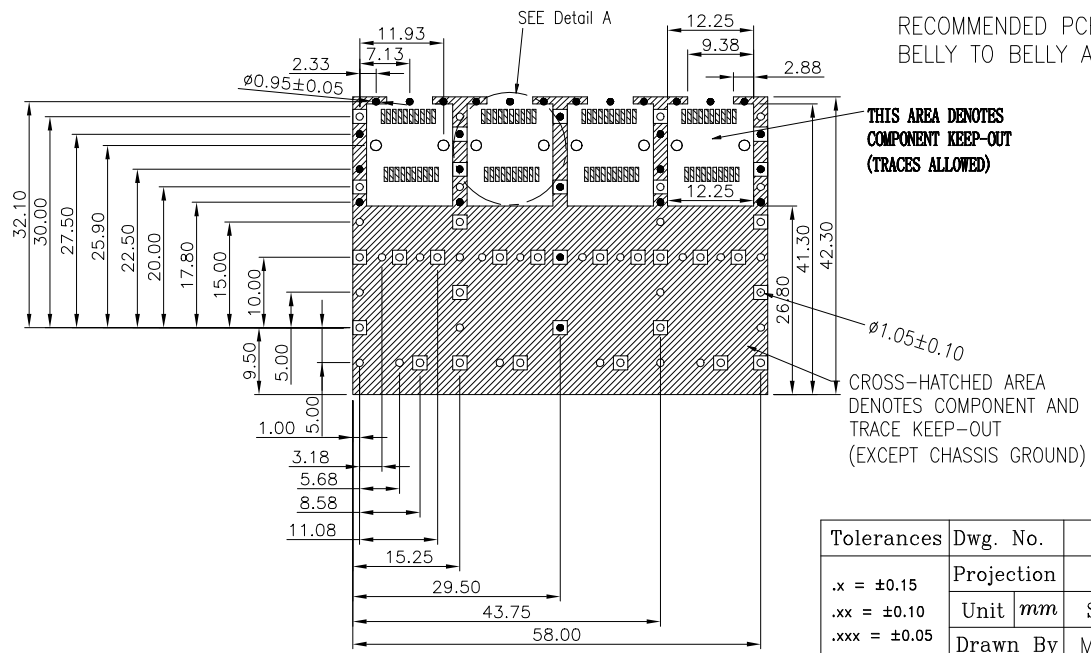
RECOMMENDED PCB CONFIGURATION WITH KEEP-OUT AREAS
SINGLE SIDED APPLICATIONS

THIS AREA DENOTES
COMPONENT KEEP-OUT
(TRACES ALLOWED)

CROSS-HATCHED AREA
DENOTES COMPONENT AND
TRACE KEEP-OUT
(EXCEPT CHASSIS GROUND)



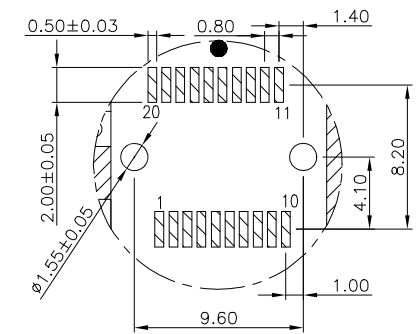
DETAIL A
SCALE 2.5:1




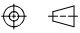
RECOMMENDED PCB CONFIGURATION WITH KEEP-OUT AREAS
BELLY TO BELLY APPLICATIONS

THIS AREA DENOTES
COMPONENT KEEP-OUT
(TRACES ALLOWED)

CROSS-HATCHED AREA
DENOTES COMPONENT AND
TRACE KEEP-OUT
(EXCEPT CHASSIS GROUND)



DETAIL A
SCALE 2.5:1

Tolerances .x = ±0.15 .xx = ±0.10 .xxx = ±0.05	Dwg. No.	8951D00021		Title: 8951-E Series SFP+ 1X4 Cage Press Fit Type	 OUPIIN ELECTRONIC(KUNSHAN) CO., LTD. P/N: 8951-E4PPOA		
	Projection					SHEET 3/3 Ver.No. A1	
	Unit	mm	Scale				1:N
	Drawn By	Martin	Date				04/28'23

① 619