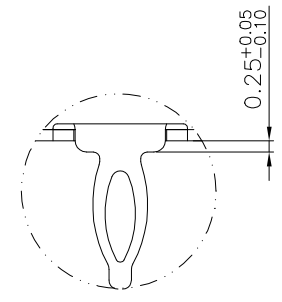
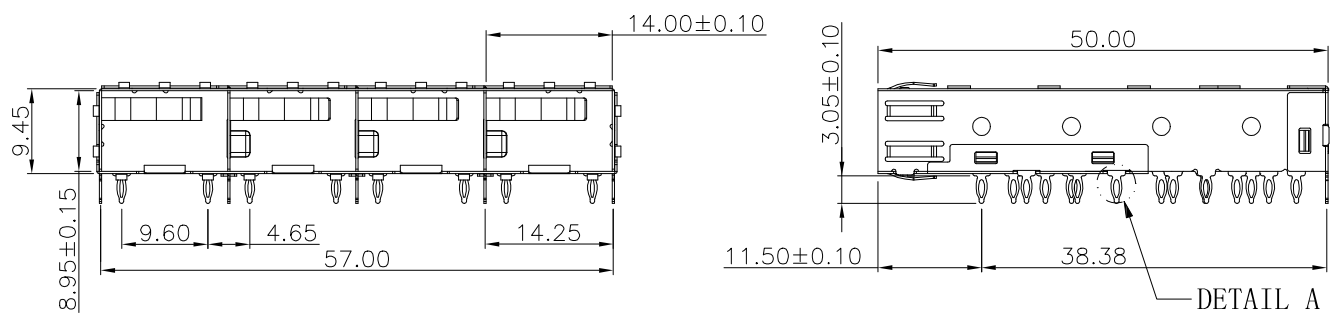
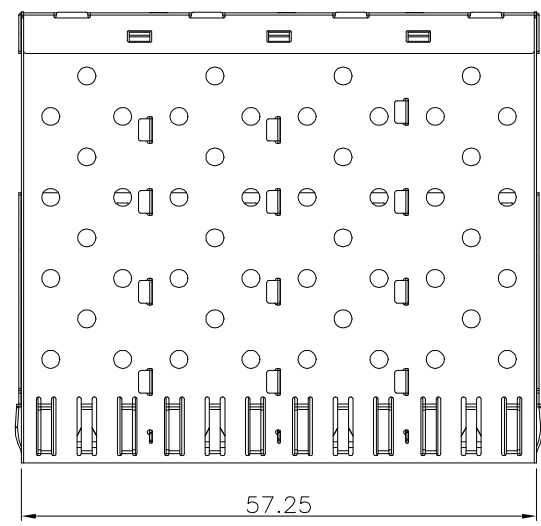


REV.	SPECIFICATION	ECN NO.	APPD.

**Material:**  
 Cage: Cu-Ni Alloy, 30u" Nickel Plated.  
**Electrical Characteristics:**  
 Operating Temperature: -40°C~+85°C.  
**\*RoHS Compliant**



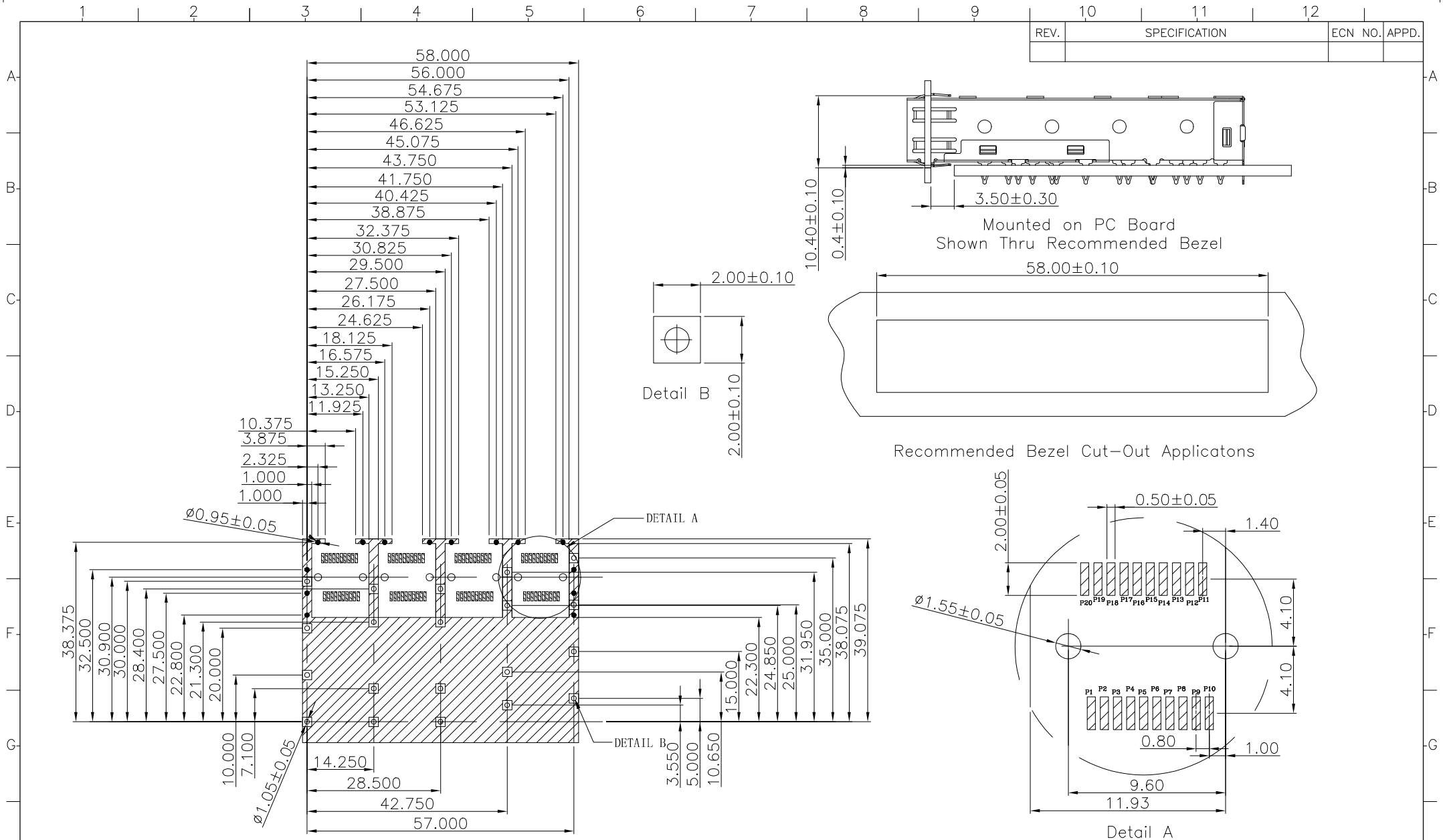
DETAIL A



8951-E 4 P S 0 A  
 Series ——— 4 ——— P ——— S ——— 0 ——— A ———  
 4: 4 Ports ———  
 P: Press Fit ———  
 S: Spring ———  
 A: Tray Package  
 0: Without Light Pipe

Tolerances .x = ±0.25 .xx = ±0.13 .xxx = ±0.10	Dwg. No.	S2620240513-01		Title: 8951-E Series 1X4 SFP Cage Press Fit Type With Spring	<b>OUPIN</b> OUPIN ELECTRONIC(KUNSHAN) CO., LTD. P/N: 8951-E4PS0A
	Projection	⊕ ↗			
	Unit	mm	Scale		
	Drawn By	Martin 05/13'24		① 619	SHEET 1/2 Ver.No. X1

REV.	SPECIFICATION	ECN NO.	APPD.



<b>Tolerances</b>	<b>Dwg. No.</b>	S2620240513-01		<b>Title:</b>	8951-E Series 1X4 SFP Cage Press Fit Type With Spring	
.x = ±0.15	<b>Projection</b>			<b>Unit</b>	mm	<b>Scale</b>
.xx = ±0.10	<b>Unit</b>	mm	<b>Scale</b>	1:N		
.xxx = ±0.05	<b>Drawn By</b>	Martin 05/13'24				

619

<b>OUPIIN</b>			
OUPIIN ELECTRONIC(KUNSHAN) CO., LTD.			
P/N: 8951-E4PS0A			
<b>SHEET</b>	2/2	<b>Ver.No.</b>	X1