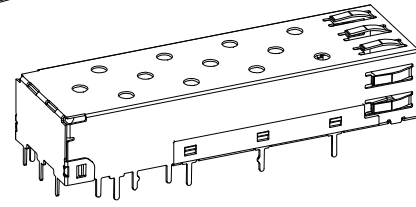
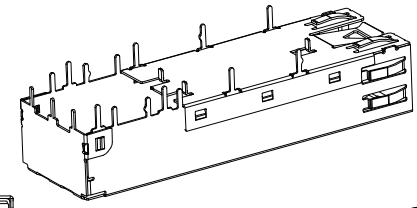
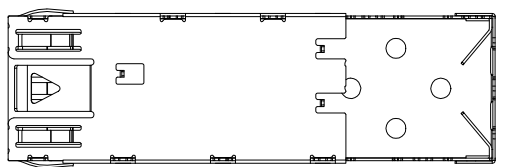
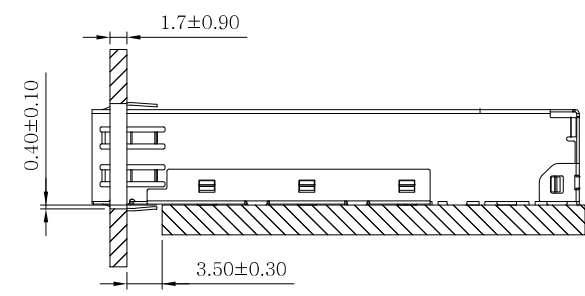
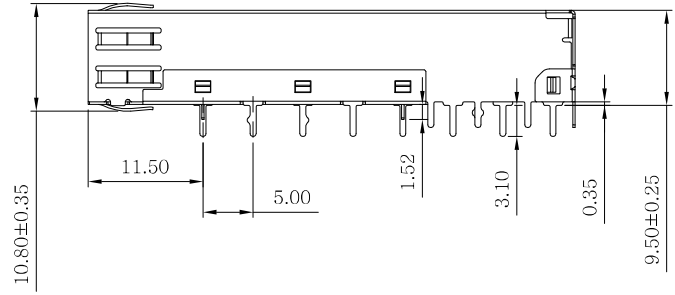
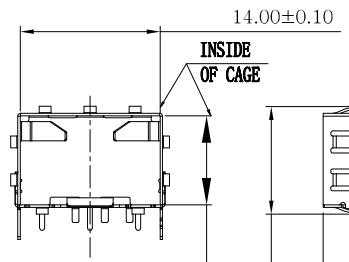
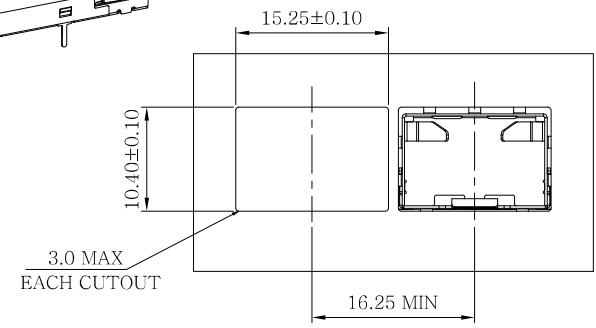
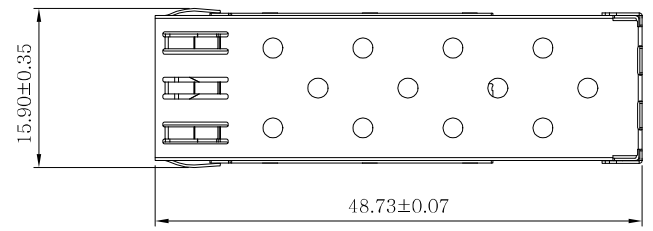


REV.	SPECIFICATION	ECN NO.	APPD.

Without Light Pipe



Material:
Cage: Cu-Ni Alloy, Nickel Plated.
EMI Spring: Cu-Ni Alloy, Nickel Plated.
Light Pipe: PC, Clear.
Electrical Characteristics:
 Operating Temperature: -40°C~+85°C.
***RoHS Compliant**

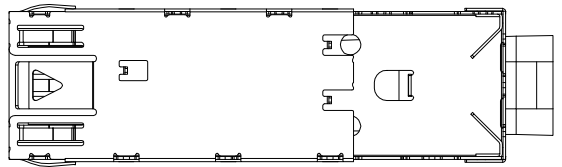
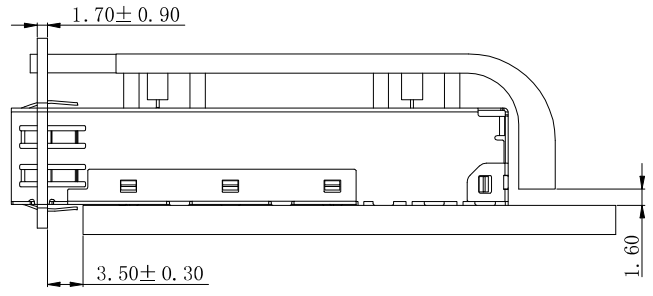
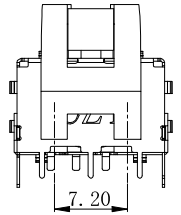
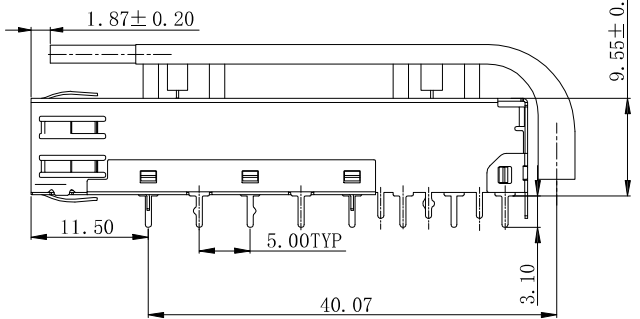
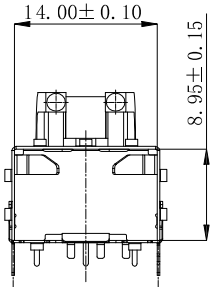
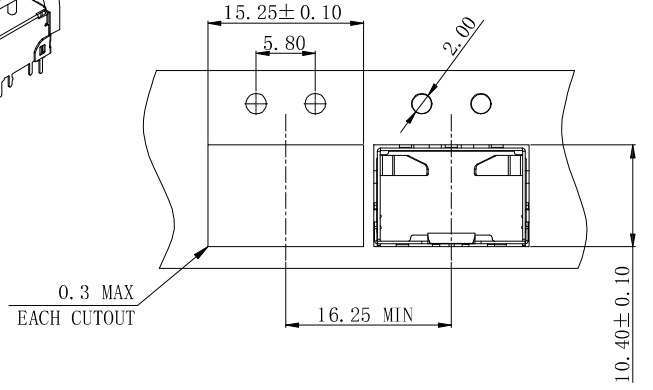
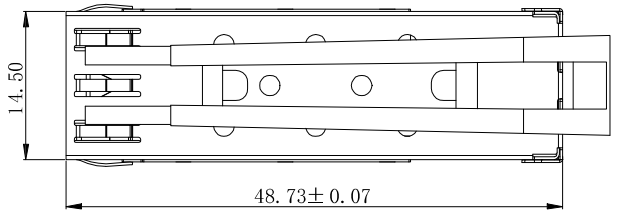
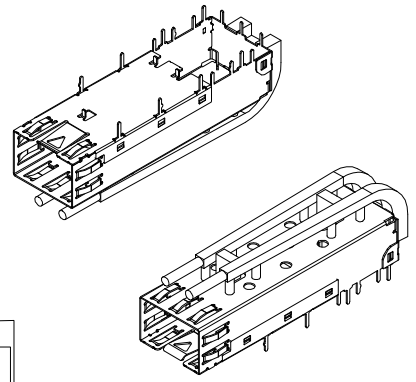




8951-E 1 S S 0 A
 Series ————
 1:1 Port ————
 S:Dip Type ————
 A:Tray Package
 0:Without Light Pipe
 1:With Light Pipe
 S:Spring

Tolerances	Dwg No.	8951D00017	Title:		 OUPIIN ELECTRONIC(KUNSHAN) CO., LTD. P/N: 8951-E1SS0A SHEET 1/3 Ver.No. A2
.x = ±0.25	Projection		8951-E Series		
.xx = ±0.13	Unit	mm	Scale	1:N	
.xxx = ±0.10	Drawn By	Martin	09/08'22	① 619	

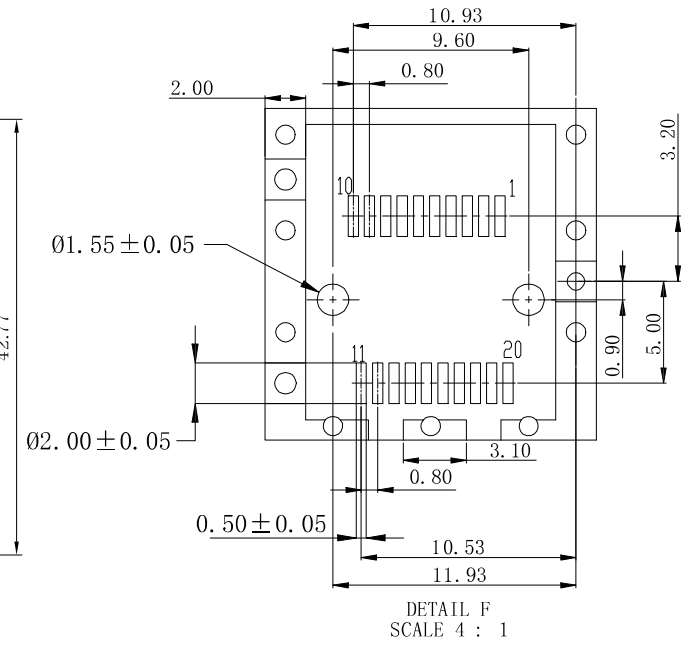
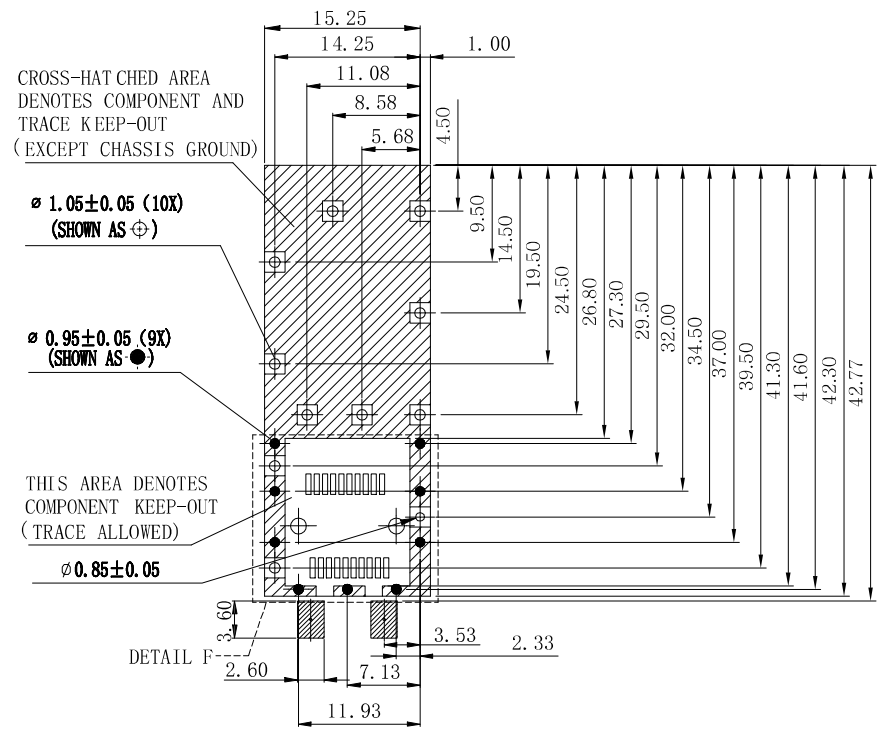
REV.	SPECIFICATION	ECN NO.	APPD.

With Light Pipe



Tolerances	Dwg No.	8951D00017	Title:		 OUPIIN ELECTRONIC(KUNSHAN) CO., LTD. P/N: 8951-E1SS0A SHEET 2/3 Ver.No. A2
.x = ±0.25	Projection		8951-E Series		
.xx = ±0.13	Unit	mm	Scale	1:N	
.xxx = ±0.10	Drawn By	Martin	Date	09/08'22	
			① 619	1X1 SFP Cage R/A	

REV.	SPECIFICATION	ECN NO.	APPD.



Tolerances	Dwg No.	8951D00017	Title:		 OUPIIN ELECTRONIC(KUNSHAN) CO., LTD. P/N: 8951-E1SS0A SHEET 3/3 Ver.No. A2
.x = ± 0.25	Projection		8951-E Series		
.xx = ± 0.13	Unit	mm	Scale	1:N	
.xxx = ± 0.10	Drawn By	Martin 09/08'22	1X1 SFP Cage R/A		
				619	