

REV.	SPECIFICATION	ECN NO.	APPD.

**Material:**

Housing: LCP, UL94V-0, Black.

Contact: Phosphor Bronze, Gold Plated on Contact Area and 100u" Matte Tin Plated on Solder tail over 50u" Nickel.

Cage: Copper Alloy, 30u" Nickel Plated.

**Electrical Characteristics:**

Current Rating: 0.5 AMP.

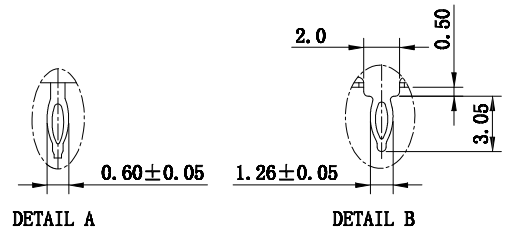
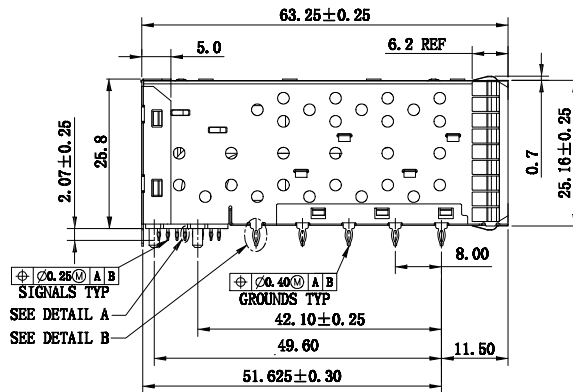
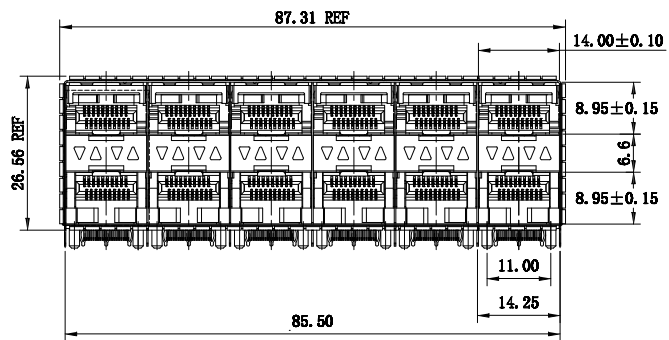
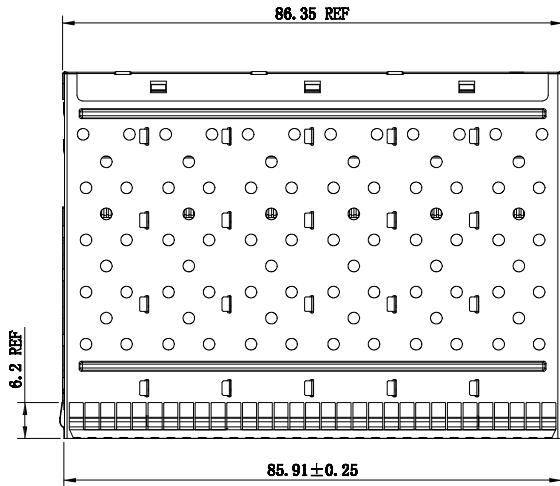
Dielectric Withstanding Voltage: AC 300V.

Insulation Resistance: 1000MΩ min.

Contact Resistance: 10mΩ max.

Operating Temperature: -40°C~+85°C.

**\*RoHS Compliant**



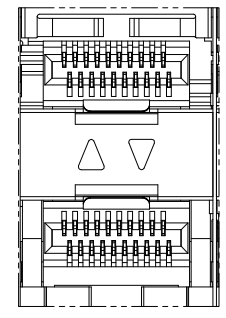
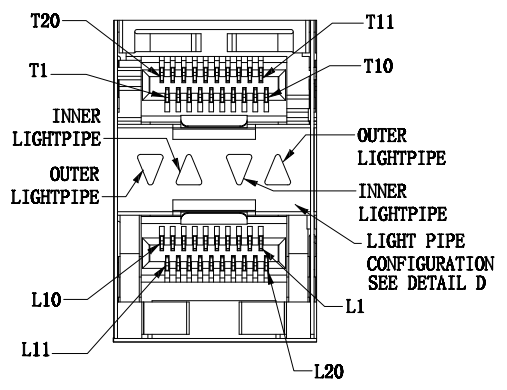
8952-E 2X6 C xx P P x A  
 Series | 2X6 Ports | C: Selective Gold Plated | 15:15u" | 30:30u" | P: Spring Plus | P: Press Fit | A: Tray Package  
 1: With Inner Light Pipes  
 2: With Outer Light Pipes  
 3: With Inner & Outer Light Pipes

Tolerances	Dwg. No.	8952D00021	
.x = ±0.25	Projection		
.xx = ±0.13	Unit	mm	Scale 1:N
.xxx = ±0.10	Drawn By	Martin 05/03'23	

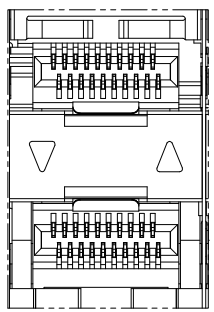
Title: 8952-E Series  
 SFP+ 2X6 Cage  
 Press Fit Type With Connector  
 619

OUPIIN ELECTRONIC(KUNSHAN) CO., LTD.			
P/N: 8952-E2X6CxxPPxA			
SHEET	1/5	Ver.No.	A1

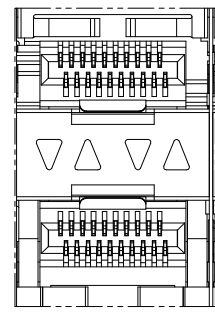
REV.	SPECIFICATION	ECN NO.	APPD.



With Inner Light Pipes



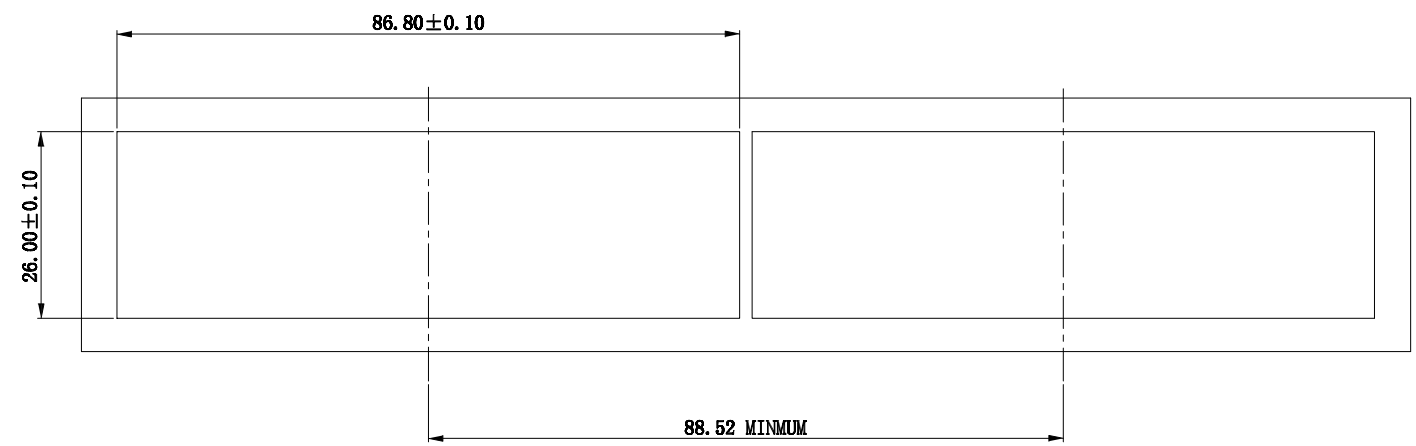
With Outer Light Pipes



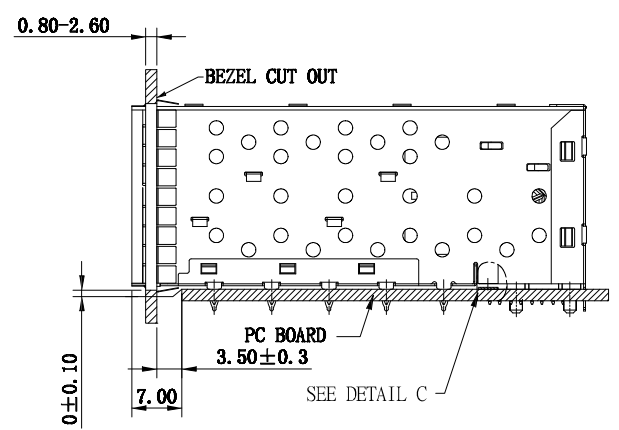
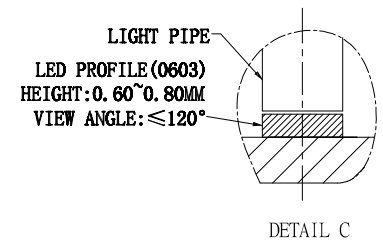
With Inner & Outer Light Pipes



Tolerances .x = ±0.25 .xx = ±0.13 .xxx = ±0.10	Dwg. No.	8952D00021		Title: 8952-E Series SFP+ 2X6 Cage Press Fit Type With Connector ①619	 OUPIIN ELECTRONIC(KUNSHAN) CO., LTD. P/N: 8952-E2X6CxxPPxA	
	Projection					
	Unit	mm	Scale			1:N
	Drawn By	Martin 05/03'23				
SHEET		2/5	Ver.No.	A1		

REV.	SPECIFICATION	ECN NO.	APPD.

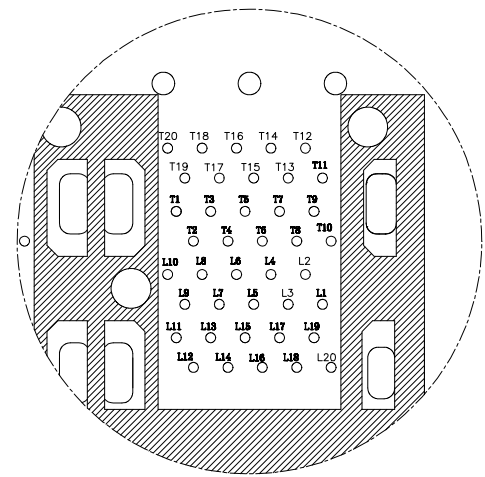
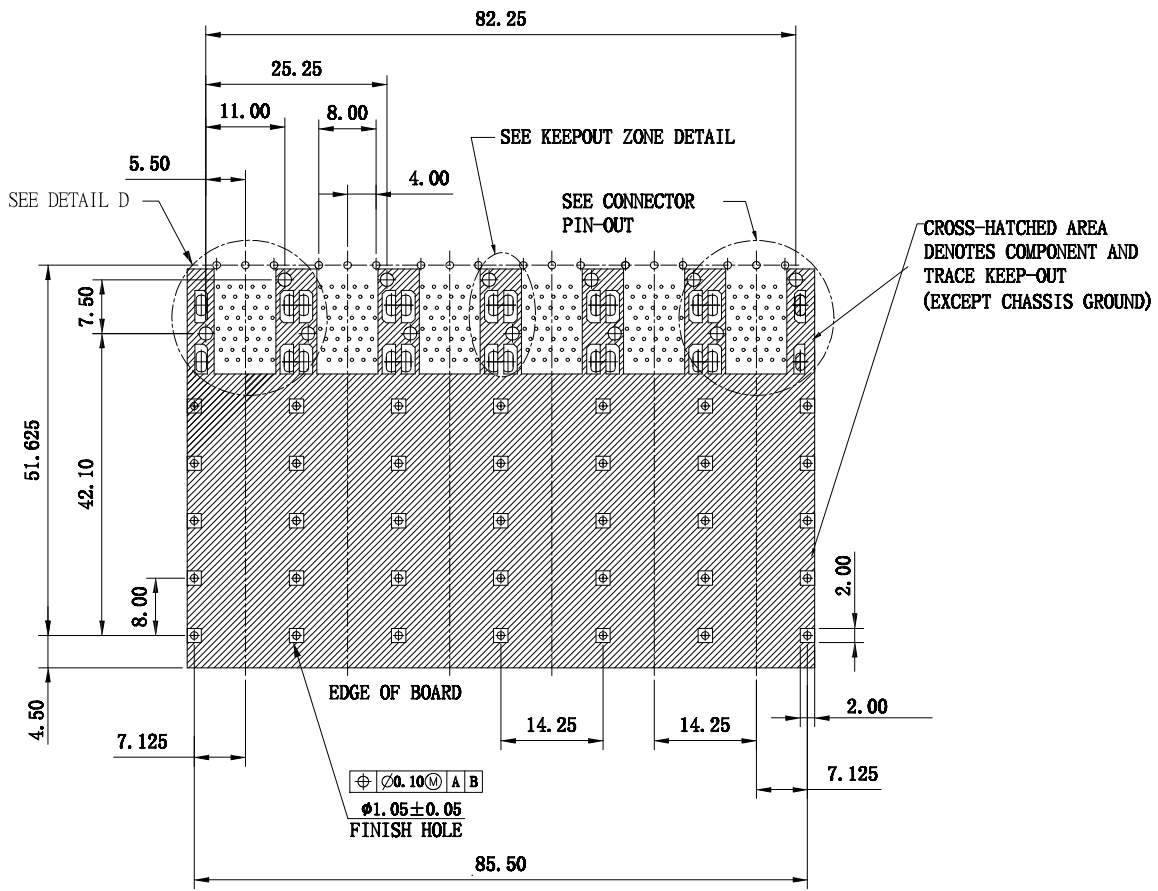


BEZEL CUT-OUT CENTER SPACING DETAIL  
BEZEL THICKNESS: 0.8-2.6



Tolerances .x = ±0.25 .xx = ±0.13 .xxx = ±0.10	Dwg. No.	8952D00021		Title: 8952-E Series SFP+ 2X6 Cage Press Fit Type With Connector ①619	 OUPIIN ELECTRONIC(KUNSHAN) CO., LTD. P/N: 8952-E2X6CxxPPxA	
	Projection					
	Unit	mm	Scale			1:N
Drawn By	Martin 05/03'23		SHEET	3/5	Ver.No.	A1

REV.	SPECIFICATION	ECN NO.	APPD.



CONNECTOR PIN-OUT  
COMPONENT SIDE OF BOARD

RECOMMENDED PCB LAYOUT-COMPONENT SIDE  
RECOMMENDED PCB THICKNESS-2.63 MM

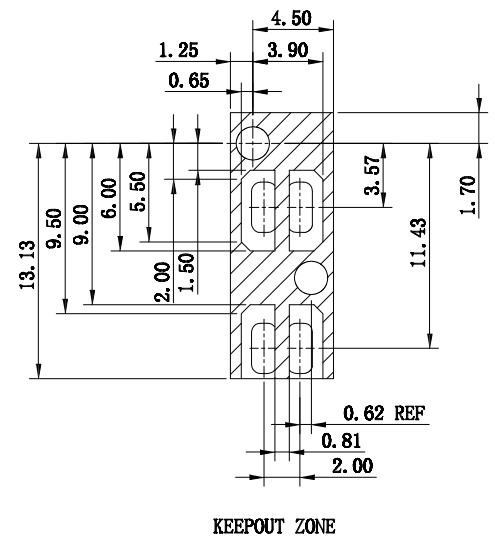
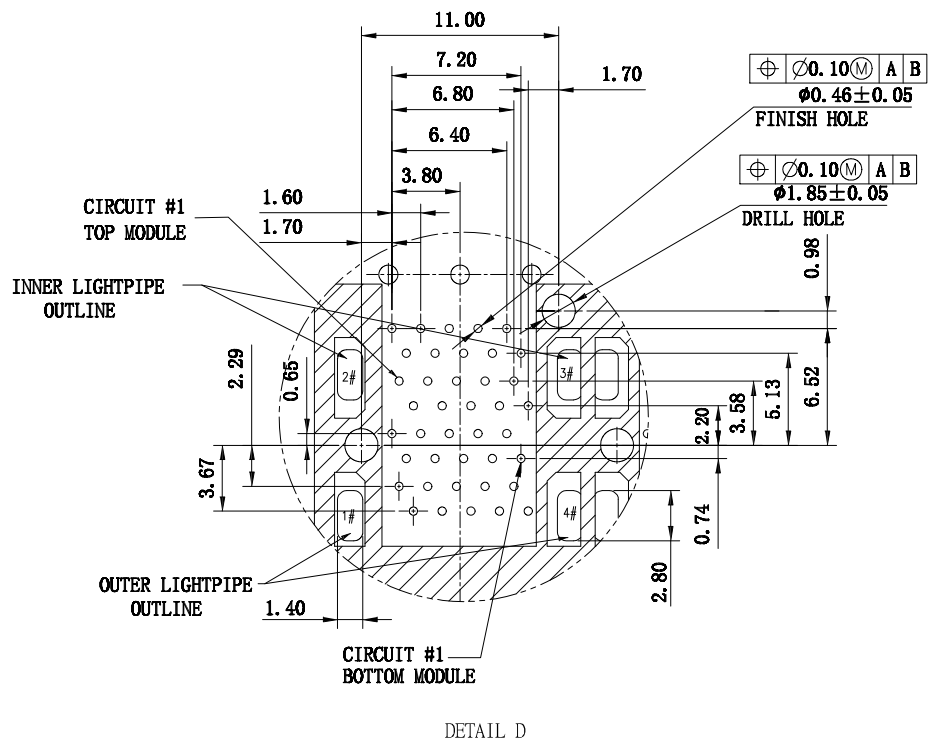
THE ENTIRE AREA OF THE CONNECTOR FOOTPRINT  
TO BE CONSIDERED THE KEEP OUT AREA FOR COMPONENTS  
(OTHER THAN LIGHT PIPE LED'S)  
THIS AREA IS INDICATED BY THE DASHED LINE


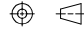
Tolerances	Dwg. No.	8952D00021	
.x = ±0.25	Projection		
.xx = ±0.13	Unit	mm	Scale 1:N
.xxx = ±0.10	Drawn By	Martin 05/03'23	

Title:  
8952-E Series  
SFP+ 2X6 Cage  
Press Fit Type With Connector  
①619

OUPIIN ELECTRONIC(KUNSHAN) CO., LTD.			
P/N: 8952-E2X6CxxPPxA			
SHEET	4/5	Ver.No.	A1

REV.	SPECIFICATION	ECN NO.	APPD.



Tolerances .x = ±0.25 .xx = ±0.13 .xxx = ±0.10	Dwg. No.	8952D00021		Title: 8952-E Series SFP+ 2X6 Cage Press Fit Type With Connector ①619	 <b>OUPIN ELECTRONIC(KUNSHAN) CO., LTD.</b> P/N: 8952-E2X6CxxPPxA				
	Projection					SHEET	5/5	Ver.No.	A1
	Unit	mm	Scale			1:N			
	Drawn By	Martin	Date			05/03'23			