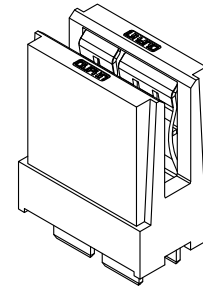
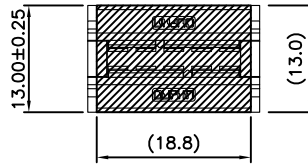
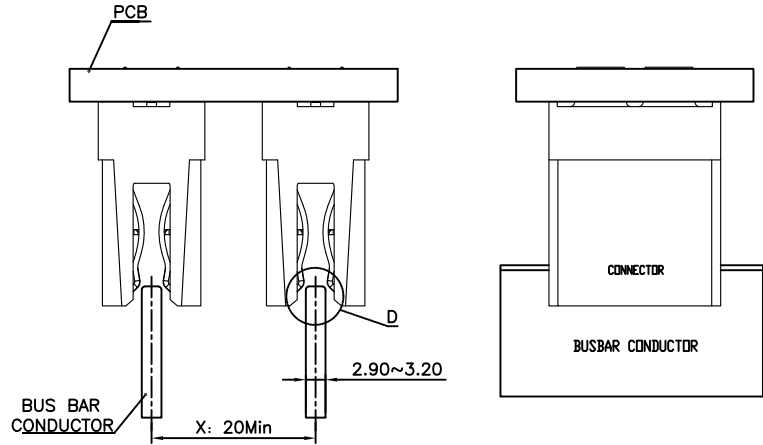


|      |               |           |       |
|------|---------------|-----------|-------|
| REV. | SPECIFICATION | ECN NO.   | APPD. |
| R1   |               | ECN250232 |       |



**Material and Plating:**

Housing: High Temperature Plastic, UL94V-0.  
Power Contacts: High Conductivity Copper.  
80u" Min Tin Plated over Nickel 50u" Min.  
Clip: Phosphor Bronze.  
50u" Min Nickel Plated.

**Electrical Characteristics:**

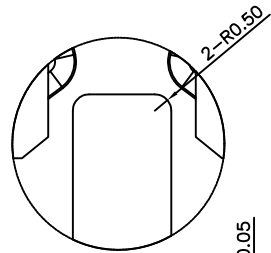
Current Rating: 200A (or 100A+, 100A-).  
Dielectric Withstanding Voltage: DC 1500V For 1 minute.  
Insulator Resistance: 1500MΩ min. at DC 500V.  
Contact Resistance: 0.2mΩ max.  
Operating Temperature: -40°C ~+105°C .

**\*RoHS Compliant**

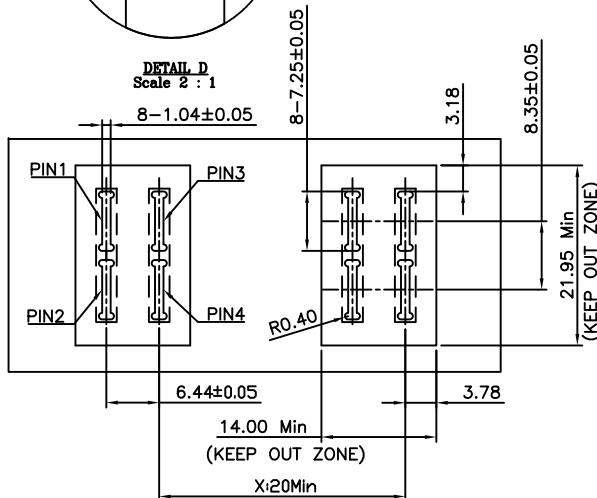
Note:

1. IR Reflow & PIP

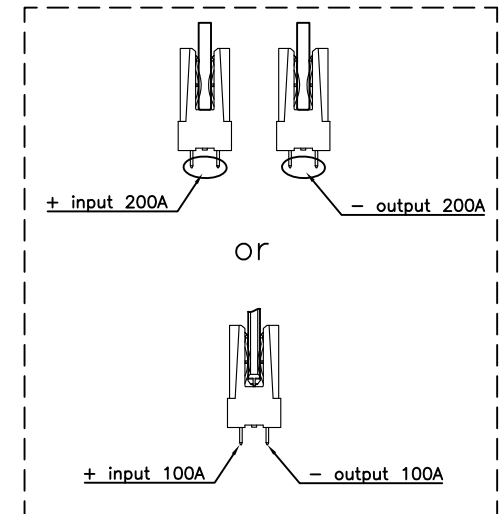
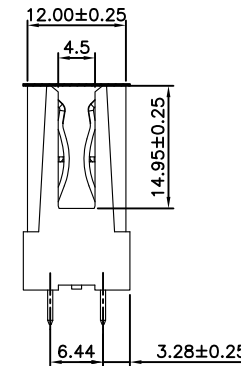
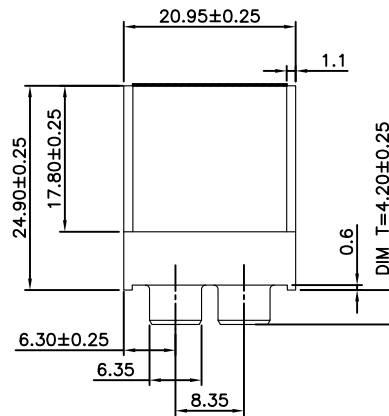
PCB And BUSBAR Conductor  
In These Views Are Shown For Reference Only.



DETAIL D  
Scale 2 : 1



P.C. Board Layout(Top View)  
(Tolerance: ±0.05)



Series 9192-A 2 P02 T S A A01  
2:Female Straight  
P02: P02  
T: Tin Plated  
A01: With Mylar, Dim T=4.20mm  
A: Tray Package  
S: Dip Type

|            |            |               |       |   |
|------------|------------|---------------|-------|---|
| Tolerances | Dwg. No.   | 9192-DP02-060 |       | Title:                                    |
| x.=±0.5    | Projection | ⊕ ⊖           |       | 9192 Series BUSBARClip<br>POWER CONNECTOR |
| .x.=±0.25  | Unit       | mm            | Scale |   |
| .xx.=±0.15 | Drawn By   | WP 02/18'25   |       |   |

|                                     |     |         |    |
|-------------------------------------|-----|---------|----|
| <b>OUPIN</b>                        |     |         |    |
| OUPIN ELECTRONIC(KUNSHAN) CO., LTD. |     |         |    |
| P/N: 9192-A2P02TSA01                |     |         |    |
| SHEET                               | 1/1 | Ver.No. | R1 |