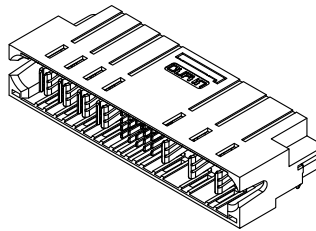
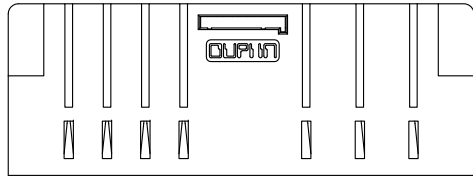


REV.	SPECIFICATION	ECN NO.	APPD.
R1		ECN250316	



**Material and Plating:**

**Housing:** LCP, UL94V-0 , BLACK.  
**Power Contacts:** High Conductivity Copper, 30u"Au+Pd/Ni on Contact Area and 80u" Min Tin Plated on Solder Tail over Nickel 50u" Min .  
**Signal Contacts:** Brass, 30u"Au+Pd/Ni on Contact Area and 80u" Min Tin Plated on Solder Tail over Nickel 50u" Min .  
**Lock:** Phosphor Bronze.

**Electrical Characteristics:**

**Current Rating:** Signal Pin 1.8 A(35 Adjacent Contacts).  
 Power Pin: 75A(P1~P4)(UL)(2oz x 6).  
 45A(P5~P7)(UL)(2oz x 6).

**Dielectric Withstanding Voltage:**  
 Signal Pin DC 1000V For 1 minute.  
 Power Pin DC 2500V For 1 minute.

**Insulator Resistance:** Signal Pin 500MΩ min.  
 Power Pin 1000MΩ min.

**Contact Resistance:** Signal Pin 30mΩ max.  
 Power Pin 0.7mΩ max.

**Operating Temperature:** -40°C ~+125°C .

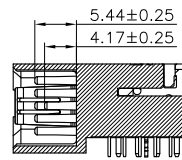
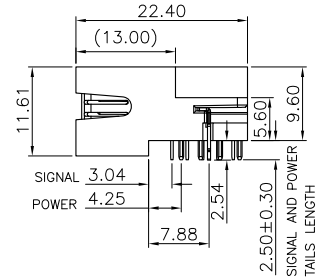
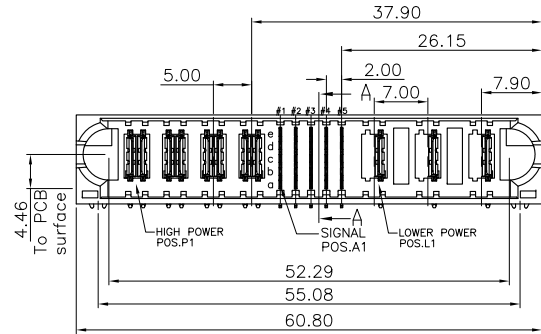
**\*RoHS Compliant**

Notes 1 :

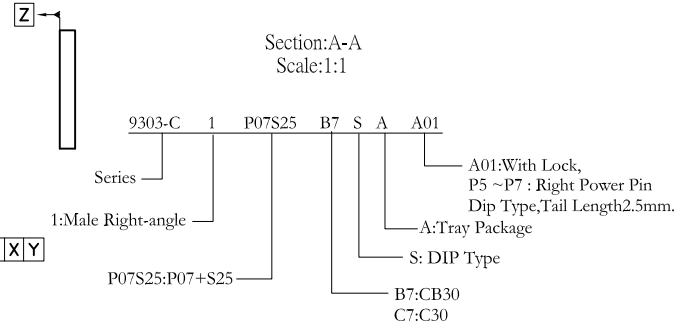
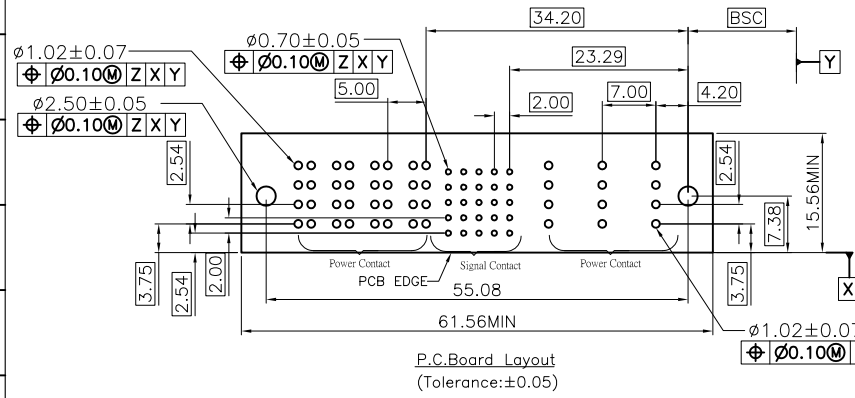
- H: High density Power---PCB Mount 5.08mm Pitch
- P: DC Power---PCB Mount 6.35mm Pitch
- A: AC Power---PCB Mount 7.62mm Pitch
- S: Signal---PCB Mount 2.54mm Pitch
- L:Low Power---PCB Mount 2.92mm Pitch

Notes 2 :

- 1.P5 ~P7 is Right Power Pin.
- 2.C3 Contact Length is 4.17mm,Other Pin Contact Length is5.44mm.



Section:A-A  
Scale:1:1



ROWS	POWER				SIGNAL			POWER			HD		
	P1	P2	P3	P4	1	2	3	4	5	P5		P6	P7
E	LS	RS	LS	RS	H	H	H	H	H	RS	RS	RS	HD
D	LS	RS	LS	RS	H	H	H	H	H	RS	RS	RS	HD
C	LS	RS	LS	RS	H	H	H	H	H	RS	RS	RS	HD
B	LS	RS	LS	RS	H	H	H	H	H	RS	RS	RS	HD
A	LS	RS	LS	RS	H	H	H	H	H	RS	RS	RS	HD

SIGNAL PIN CONTACT LENGTH 5.44mm	H
SIGNAL PIN CONTACT LENGTH 4.17mm	E
HIGH POWER CONTACT.STD	LS&RS
LOWER POWER CONTACT.STD	RS

Tolerances	Dwg. No.	9303-DP04S25P03-001	Title:	
x = ±1	Projection		9303-C Series	
.x = ±0.5	Unit	mm	Scale	1:1
.xx = ±0.25	Drawn By	WCC 03/12'25	PwrSword™ ULTRA HD Male Right-angle DIP Type	

**OUPIIN**  
**OUPIIN ELECTRONIC(KUNSHAN) CO., LTD.**  
**P/N: 9303-C1P07S25B7SA01**

SHEET	1/1	Ver. No.	R1
-------	-----	----------	----