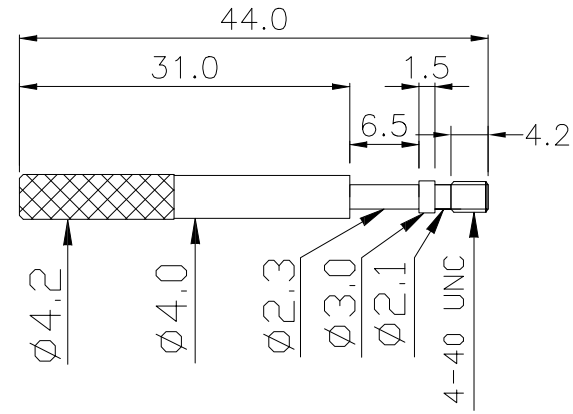
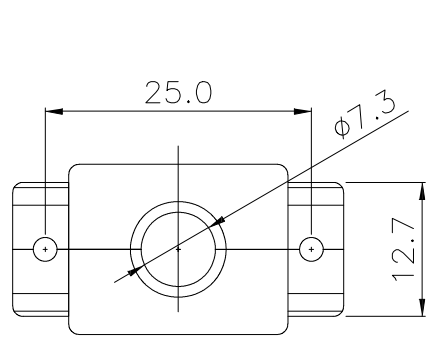
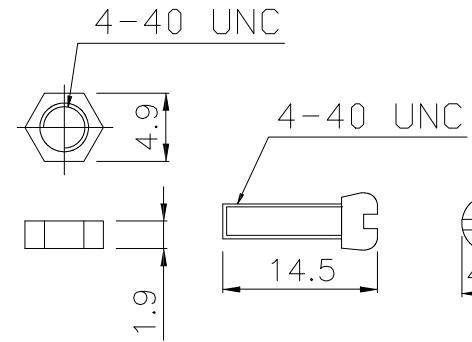
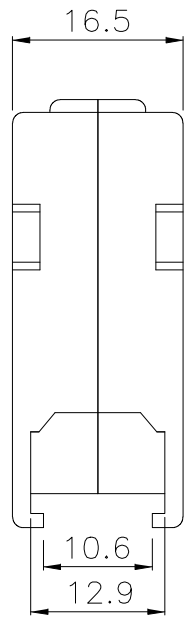
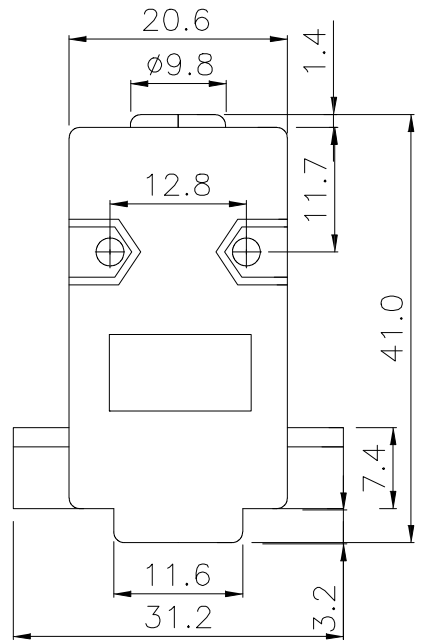
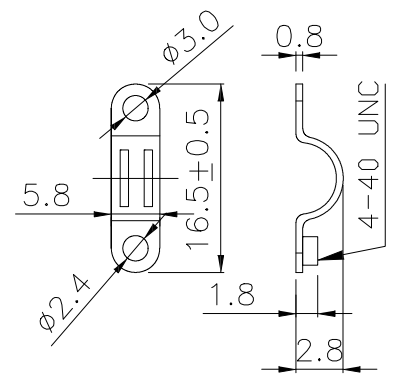
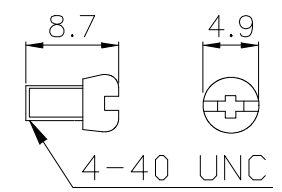


REV.	SPECIFICATION	ECN NO.	APPD.



Material:
Housing: ABS, UL94HB, Chromate Plated.
Screw: Steel, Nickel Plated.
***RoHS Compliant**



DP- 09 C SL x
Series Position C:Chorme SL:Long Screw B:Bulk Package
(Plastic metallized) P:Individual Package

Tolerances x. = ±0.80 .x = ±0.50 .xx = ±0.35	Dwg. No.	DP00D00030		Title: DP Sereis Plastic Pad	 OUPIIN ELECTRONIC(KUNSHAN) CO., LTD. P/N: DP-09CSLx	
	Projection					
	Unit	mm	Scale			1:N
	Drawn By	Martin 03/20'25				741
					SHEET 1/1 Ver.No. A1	