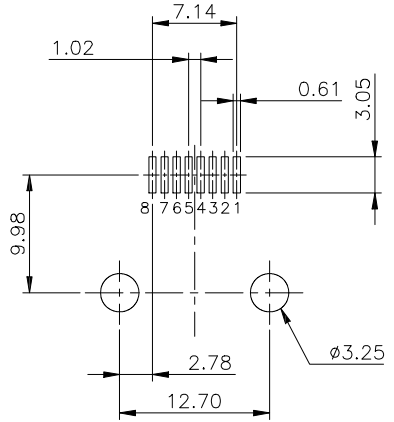
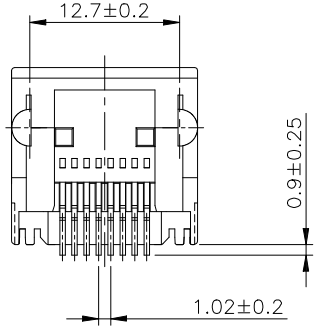
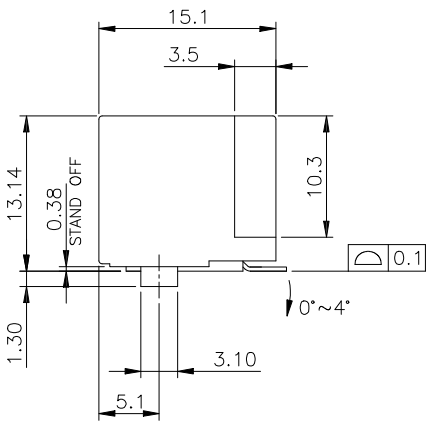
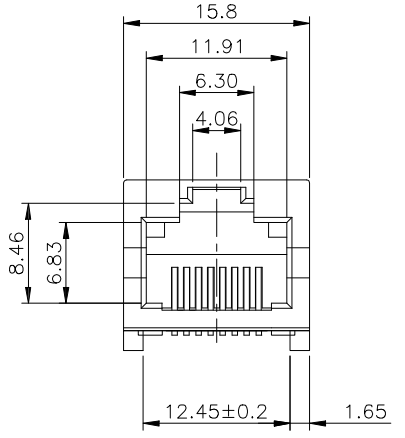


REV.	SPECIFICATION	ECN NO.	APPD.



P.C. Board Layout

Material:
Housing: PA9T, UL94V-0, Black.
Insert: PA46, UL94V-0, Black.
Contacts: Phosphor Bronze, Gold Plated on Contact Area and Gold Flash on Solder Tail over Nickel 50u".

Electrical Characteristics:
Voltage Rating: AC 150V.
Current Rating: 1.5 AMP.
Dielectric Withstanding Voltage: 1000V for 1 minute.
Insulator Resistance: 500MΩ min. at DC 500V.
Contact Resistance: 30mΩ max. at DC 100mA.
Operating Temperature: -40°C~+85°C.

Mechanical Characteristics:
Mating Force: 2.3 kgf max.
Durability: 750 Cycles.

***RoHS Compliant**

8949-L1D 8 8 1 -06 B x
 Series ————
 Position ————
 8: Contacts ————
 1: 1 Port ————
 A: Tray Package
 T: Tape & Reel Package
 B: Black
 06: 06u" Gold Plated

Tolerances	Dwg. No.	8949D02130	Title:		 OUPIN ELECTRONIC(KUNSHAN) CO., LTD. P/N: 8949-L1D881-06Bx SHEET 1/1 Ver.No. A3
.x = ±0.25	Projection			8949-L1D Series	
.xx = ±0.13	Unit	mm	Scale	1:N	
.xxx = ±0.05	Drawn By	Martin	03/07'25	563	