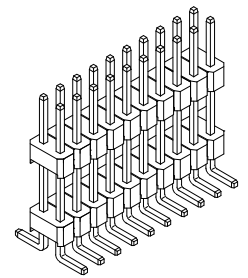
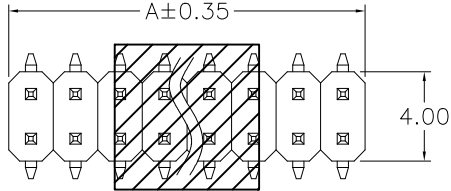
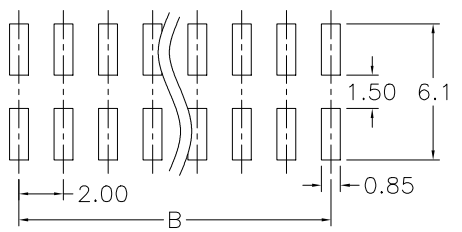
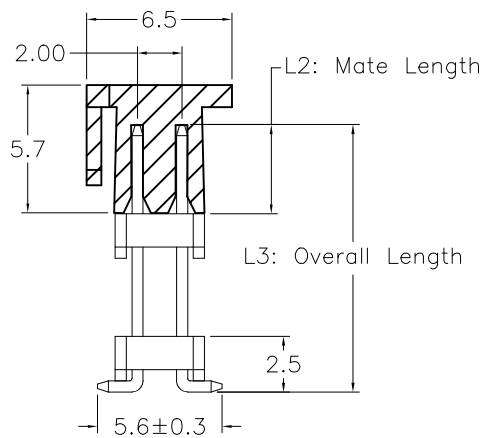
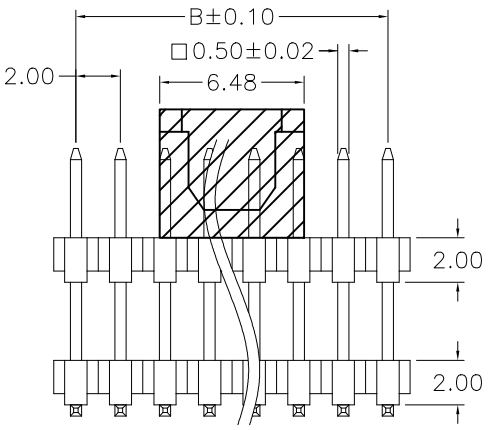


REV.	SPECIFICATION	ECN NO.	APPD.



Material:
Housing: PA6T, UL94V-0, Black.
Contacts: Brass, Gold Plated or 80~120u" Tin Plated over Nickel 50u".
Electrical Characteristics:
Current Rating: 3 AMP.
Dielectric Withstanding Voltage: AC 500V.
Insulator Resistance: 1000MΩ min.
Contact Resistance: 20mΩ max.
Operating Temperature: -40°C~+105°C.
***RoHS Compliant**



2114- 2 X xx x xx D -L2-L3 x -x
Series
Double Row
No. of Pin Per Row
G: Gold Plated
T: Tin Plated
00: Gold Flash
Blank: for Tin Plated
P: With Plastic Pad
Blank: W/O Pad
T: Tape & Reel Package
U: Tube Package
B: Bulk Package
L2: Mate Length
L3: Overall Length
D: SMD Type

Dimension					
Positions	A	B	Positions	A	B
2X02	3.75	2.00	2X22	43.75	42.00
2X03	5.75	4.00	2X23	45.75	44.00
2X04	7.75	6.00	2X24	47.75	46.00
2X05	9.75	8.00	2X25	49.75	48.00
2X06	11.75	10.00	2X26	51.75	50.00
2X07	13.75	12.00	2X27	53.75	52.00
2X08	15.75	14.00	2X28	55.75	54.00
2X09	17.75	16.00	2X29	57.75	56.00
2X10	19.75	18.00	2X30	59.75	58.00
2X11	21.75	20.00	2X31	61.75	60.00
2X12	23.75	22.00	2X32	63.75	62.00
2X13	25.75	24.00	2X33	65.75	64.00
2X14	27.75	26.00	2X34	67.75	66.00
2X15	29.75	28.00	2X35	69.75	68.00
2X16	31.75	30.00	2X36	71.75	70.00
2X17	33.75	32.00	2X37	73.75	72.00
2X18	35.75	34.00	2X38	75.75	74.00
2X19	37.75	36.00	2X39	77.75	76.00
2X20	39.75	38.00	2X40	80.00	78.00
2X21	41.75	40.00			

ie: 2114-2XxxG00D-4-14.3U
4.0mm Mate Length (increment of 0.1mm)
14.3mm Overall Length (increment of 0.1mm)

Tolerances	Dwg. No.	2114D01007		Title: 2114 Series	
.x = ±0.30 .xx = ±0.20	Projection	⊕ ⊖		Pin Header 2.0mmX2.0mm	
	Unit	mm	Scale	1:1	
	Drawn By	Martin 11/22'24		Double Row Double Insulator	
			① 535	S.M.D Type	

OUPIN			
OUPIN ELECTRONIC(KUNSHAN) CO., LTD.			
P/N: 2114-2XxxxxxD-L2-L3x-x			
SHEET	1/1	Ver.No.	A3