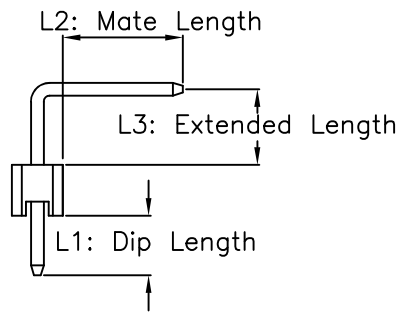
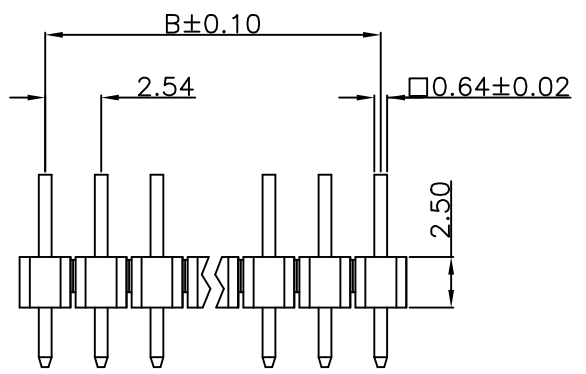
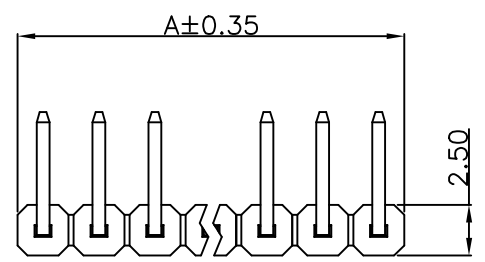
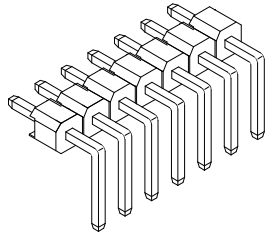


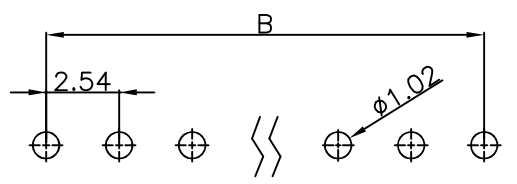
REV.	SPECIFICATION	ECN NO.	APPD.

Material:
Housing: PBT, UL94V-0, Black.
Contacts: Brass, Gold Plated over Nickel 50u" or Tin Plated over Nickel 50u".

Electrical Characteristics:
Current Rating: 3 AMP.
Dielectric Withstanding Voltage: AC 1000V.
Insulation Resistance: 1000MΩ min.
Contact Resistance: 20mΩ max.
Operating Temperature: -40°C~+105°C.
***RoHS Compliant**



R:Right Angle Type 1



P.C. Board Layout

Standard item:
ie: 2011-1XxxG00RB(Dip 3.0mm, Mate 6.0mm, Extended3.6mm)

Custom Item:
ie: 2011-1XxxG00R-3-7.5-3.6B(2011-1XxxG00R-L1-L2-L3B)
3.0mm Dip Length(increment of 0.10mm)
7.5mm Mate Length(increment of 0.10mm)
3.6mm Extended Length(increment of 0.10mm)

2011- 1 X xx G 00 R B
Series Single Row No. of Pin Per Row G: Gold Plated T: Tin Plated 00: Gold Flash 10: 10u" 15: 15u" 30: 30u" *Blank: For Tin Plated *150: 150 R: Right Angle Type 1 B: Bulk Package

Dimension					
Positions	A	B	Positions	A	B
02	4.83	2.54	22	55.63	53.34
03	7.37	5.08	23	58.17	55.88
04	9.91	7.62	24	60.71	58.42
05	12.45	10.16	25	63.25	60.96
06	14.99	12.70	26	65.79	63.50
07	17.53	15.24	27	68.33	66.04
08	20.07	17.78	28	70.87	68.58
09	22.61	20.32	29	73.41	71.12
10	25.15	22.86	30	75.95	73.66
11	27.69	25.40	31	78.49	76.20
12	30.23	27.94	32	81.03	78.74
13	32.77	30.48	33	83.57	81.28
14	35.31	33.02	34	86.11	83.82
15	37.85	35.56	35	88.65	86.36
16	40.39	38.10	36	91.19	88.90
17	42.93	40.64	37	93.73	91.44
18	45.47	43.18	38	96.27	93.98
19	48.01	45.72	39	98.81	96.52
20	50.55	48.26	40	101.60	99.06
21	53.09	50.80			

Tolerances	Dwg. No.	2011D01003
.x = ±0.30	Projection	
.xx = ±0.20	Unit	mm
	Scale	1:1
	Drawn By	Martin 03/30'23

Title:
2011 Series
Pin Header 2.54mm Single Row
Right Angle Solder Type

① 535

OUPIIN			
OUPIIN ELECTRONIC(KUNSHAN) CO., LTD.			
P/N: 2011-1XxxG00RB			
SHEET	1/1	Ver.No.	B8