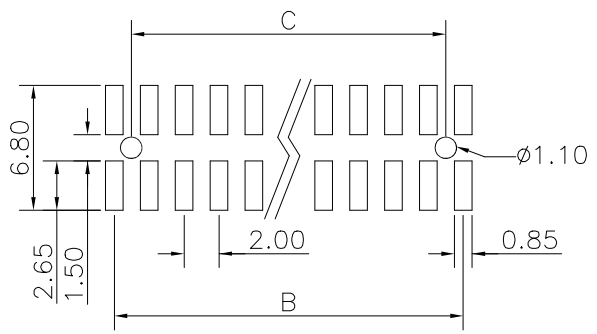
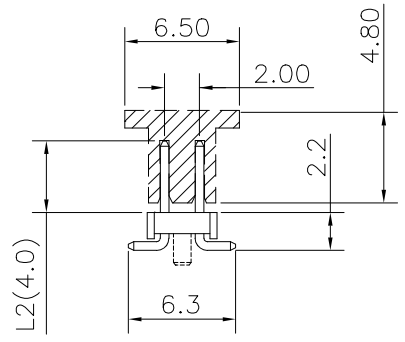
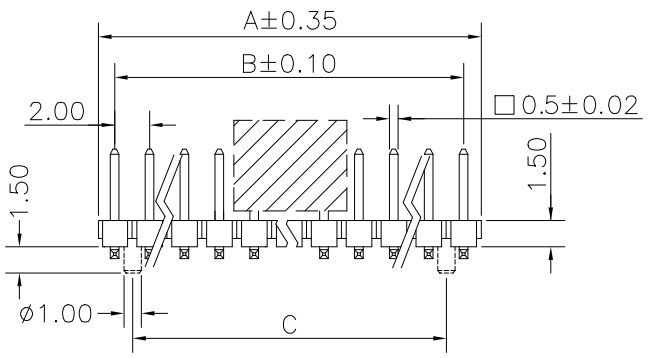
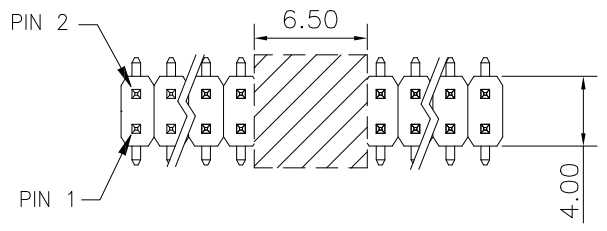


REV.	SPECIFICATION	ECN NO.	APPD.

Material:
Housing: PA6T, UL94V-0,Black.
Contacts: Brass, Gold Plated over Nickel 50u" or 80-120u" Tin Plated over Nickel 50u".

Electrical Characteristics:
Current Rating: 1 AMP.
Dielectric Withstanding Voltage: AC 500V.
Insulation Resistance: 1000MΩmin.
Contact Resistance: 20mΩ max.
Operating Temperature: -40°C~+105°C.
***RoHS Compliant**

ie: 2115-2X20G00DP-4U-P(2115-2XxxG00DP-L2U-P)
4.0mm Mating Length (increment of 0.1mm)



P.C.Board Layout

2115- 2 X xx G 00 D P -L2 U -P

Series: 2115-
No. of Pin Per Row: 2
X: Double Row
xx: No. of Pin Per Row
G: Gold Plated
T: Tin Plated
00: Gold Flash
10: 10u"
15: 15u"
30: 30u"
Blank: For Tin Plated

D: SMD Type
P: With Post
N: Without Post
L2: Mating Length
U: Tube Package
T: Tape&Reel Package
P: Plastic Pad
Blank: W/O Pad

Dimension							
Positions	A	B	C	Positions	A	B	C
2X02	3.75	2.00	2.00	2X22	43.75	42.00	40.00
2X03	5.75	4.00	2.00	2X23	45.75	44.00	42.00
2X04	7.75	6.00	4.00	2X24	47.75	46.00	44.00
2X05	9.75	8.00	6.00	2X25	49.75	48.00	46.00
2X06	11.75	10.00	8.00	2X26	51.75	50.00	48.00
2X07	13.75	12.00	10.00	2X27	53.75	52.00	50.00
2X08	15.75	14.00	12.00	2X28	55.75	54.00	52.00
2X09	17.75	16.00	14.00	2X29	57.75	56.00	54.00
2X10	19.75	18.00	16.00	2X30	59.75	58.00	56.00
2X11	21.75	20.00	18.00	2X31	61.75	60.00	58.00
2X12	23.75	22.00	20.00	2X32	63.75	62.00	60.00
2X13	25.75	24.00	22.00	2X33	65.75	64.00	62.00
2X14	27.75	26.00	24.00	2X34	67.75	66.00	64.00
2X15	29.75	28.00	26.00	2X35	69.75	68.00	66.00
2X16	31.75	30.00	28.00	2X36	71.75	70.00	68.00
2X17	33.75	32.00	30.00	2X37	73.75	72.00	70.00
2X18	35.75	34.00	32.00	2X38	75.75	74.00	72.00
2X19	37.75	36.00	34.00	2X39	77.75	76.00	74.00
2X20	39.75	38.00	36.00	2X40	80.00	78.00	76.00
2X21	41.75	40.00	38.00				

Tolerances .x = ±0.30 .xx = ±0.20	Dwg. No.	2115D01002	Title: 2115 Series Pin Header 2.0mmX2.0mm Double Row SMD Type		 OUPIN ELECTRONIC(KUNSHAN) CO., LTD. P/N: 2115-2XxxG00DP-L2U-P SHEET 1/1 Ver.No. C2
	Projection				
	Unit	mm	Scale	1:1	
	Drawn By	Martin 07/26'24	535		