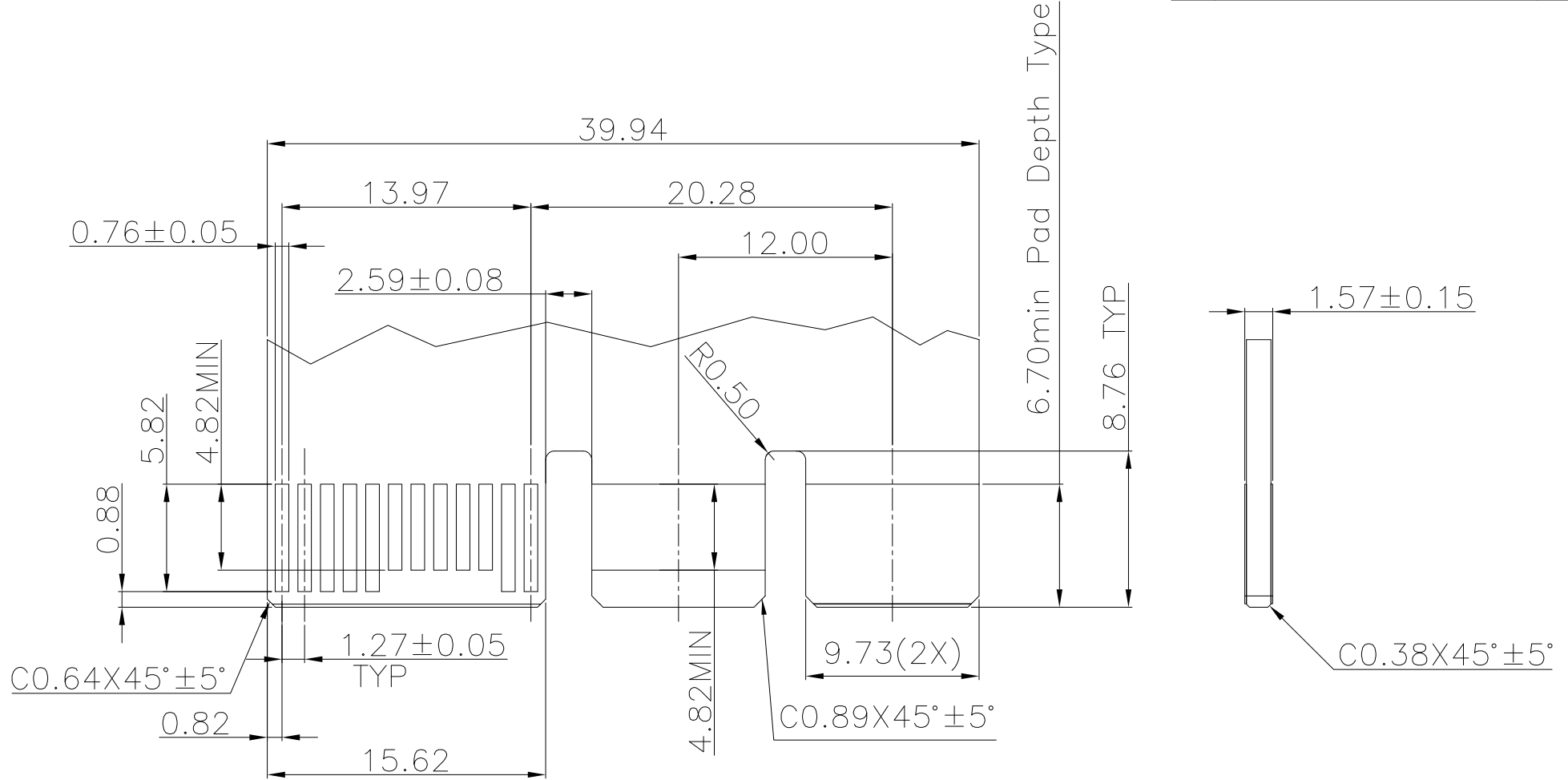

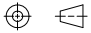


REV.	SPECIFICATION	ECN NO.	APPD.
R13		ECR240531	



Recommended Edge Card Layout
(Tolerance:±0.05)

Tolerances	Dwg. No.	9392-D0000-008	Title:		 OUPIIN ELECTRONIC(KUNSHAN) CO., LTD. P/N: 9392-4S24P04N1xCxDx			
x = ±0.5	Projection		9392 Series					
.x = ±0.25	Unit	mm	Scale	1:1	Low Profile Hybrid			
.xx = ±0.15	Drawn By	XS 03/07'24	Power Receptacle					