

REV.	SPECIFICATION	ECN NO.	APPD.

Material:

Housing: PA46, UL94V-0.

Contacts: Phosphor Bronze, Gold Plated on Contact Area and Gold Flash on Solder Tail over Nickel 50u".

Electrical Characteristics:

Current Rating: 1 AMP.

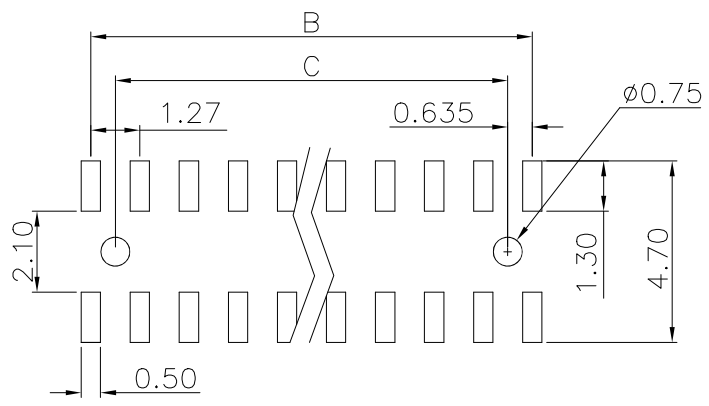
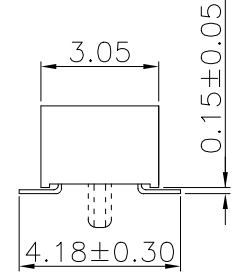
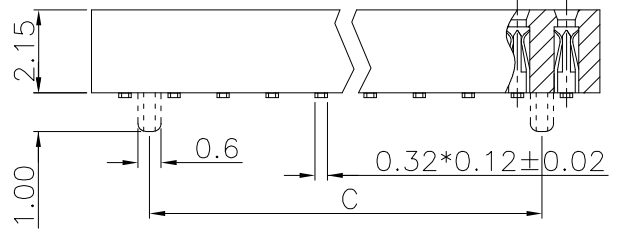
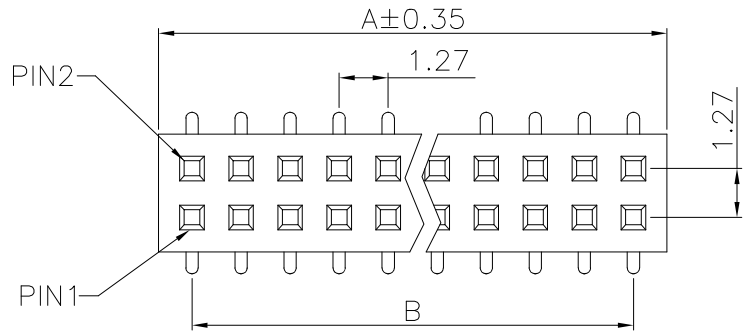
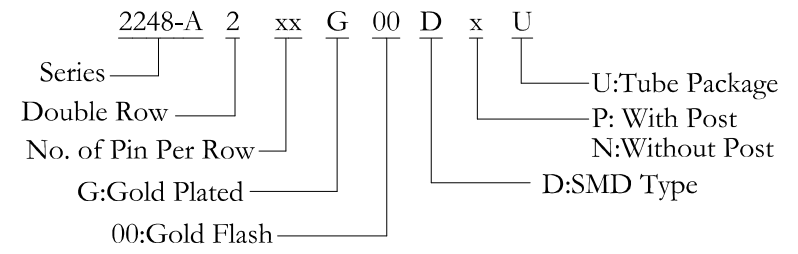
Dielectric Voltage: AC 500V for one minute.

Insulator Resistance: 1000MΩ min. at DC 500V.

Contact Resistance: 20mΩ max. at DC 100mA.

Operating Temperature: -40°C~+105°C.

***RoHS Compliant**



P.C. Board Layout

Dimension							
** Available Position							
Positions	A	B	C	Positions	A	B	C
* 2X03	4.27	2.54	1.27	2X22	28.40	26.67	25.40
* 2X04	5.54	3.81	2.54	2X23	29.67	27.94	26.67
* 2X05	6.81	5.08	3.81	2X24	30.94	29.21	27.94
* 2X06	8.08	6.35	5.08	* 2X25	32.21	30.48	29.21
2X07	9.35	7.62	6.35	2X26	33.48	31.75	30.48
* 2X08	10.62	8.89	7.62	2X27	34.75	33.02	31.75
2X09	11.89	10.16	8.89	2X28	36.02	34.29	33.02
* 2X10	13.16	11.43	10.16	* 2X29	37.29	35.56	34.29
2X11	14.43	12.70	11.43	* 2X30	38.56	36.83	35.56
* 2X12	15.70	13.97	12.70	2X31	39.83	38.10	36.83
* 2X13	16.97	15.24	13.97	2X32	41.10	39.37	38.10
* 2X14	18.24	16.51	15.24	2X33	42.37	40.64	39.37
* 2X15	19.51	17.78	16.51	2X34	43.64	41.91	40.64
* 2X16	20.78	19.05	17.78	2X35	44.91	43.18	41.91
* 2X17	22.05	20.32	19.05	2X36	46.18	44.45	43.18
2X18	23.32	21.59	20.32	2X37	47.45	45.72	44.45
2X19	24.59	22.86	21.59	2X38	48.72	46.99	45.72
* 2X20	25.86	24.13	22.86	2X39	49.99	48.26	46.99
2X21	27.13	25.40	24.13	* 2X40	51.26	49.53	48.26

Tolerances	Dwg. No.	2248D02003	Title:	
.x = ±0.30	Projection		2248-A Series	
.xx = ±0.20	Unit	mm	P.C.B Socket	
.xxx = ±0.15	Scale	1:1	1.27mmX1.27mm	
	Drawn By	Martin 10/21'24	535	

OUPIIN
 OUPIIN ELECTRONIC(KUNSHAN) CO., LTD.
 P/N: 2248-A2XxxG00DxU
 SHEET 1/1 Ver.No. B5