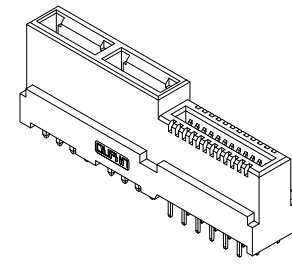
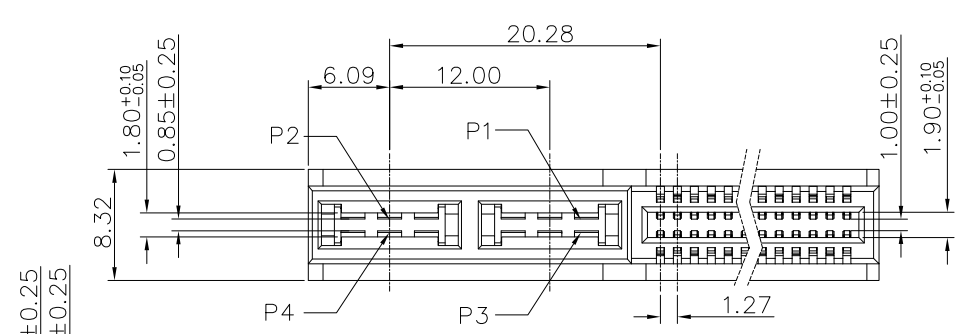


REV.	SPECIFICATION	ECN NO.	APPD.
R14		ECN241248	



Material and Plating:

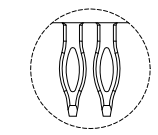
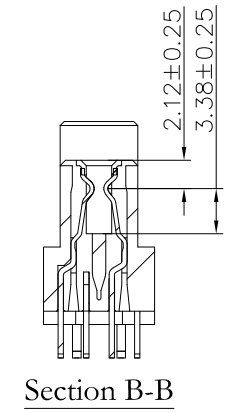
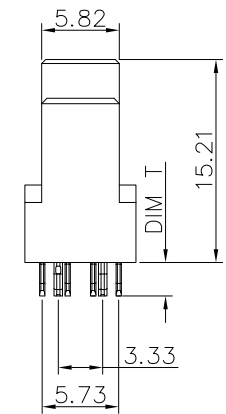
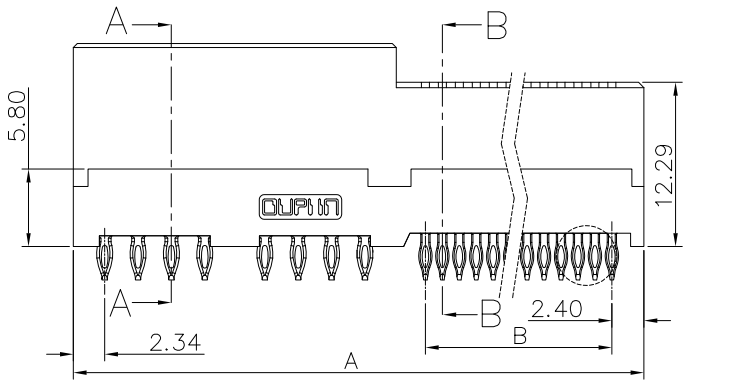
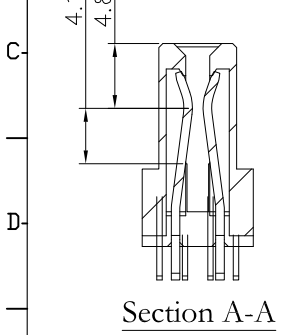
Housing: LCP, UL94V-0 , Black.
 Power Contacts: High Conductivity Copper.
 Signal Contacts : Phosphor Bronze.
 Au+Pd/Ni or Gold Plated on Contact Area and 80u" Min Tin Plated on solder tail or Press Fit over Nickel 50u" .

Electrical Characteristics:

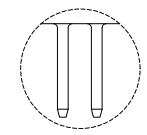
Current Rating: Signal Pin 1.0 A. Power Pin 45 AMP.(UL)
 Insulator Resistance: 5000MΩ min. at DC 500V.
 Dielectric Withstanding Voltage:
 Signal Pin DC 1500V For 1 minute.
 Power Pin DC 1500V For 1 minute.
 Contact Resistance: Signal Pin 20mΩ max. at DC 20mA.
 Power Pin 20mΩ max. at DC 20mA.
 Operating Temperature: -40°C ~+105°C .

***RoHS Compliant**

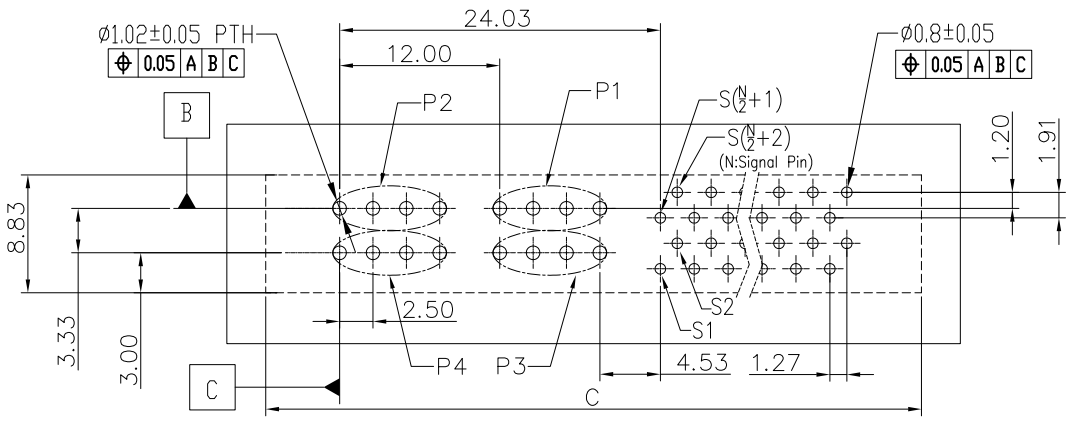
Notes:
 Mate with: Edge Card Thickness 1.57mm.



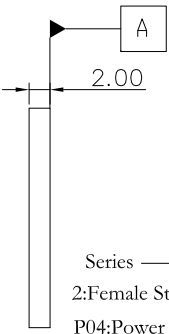
Press Fit Type



Dip Type



P.C.Board Layout
 (Tolerance:±0.05)



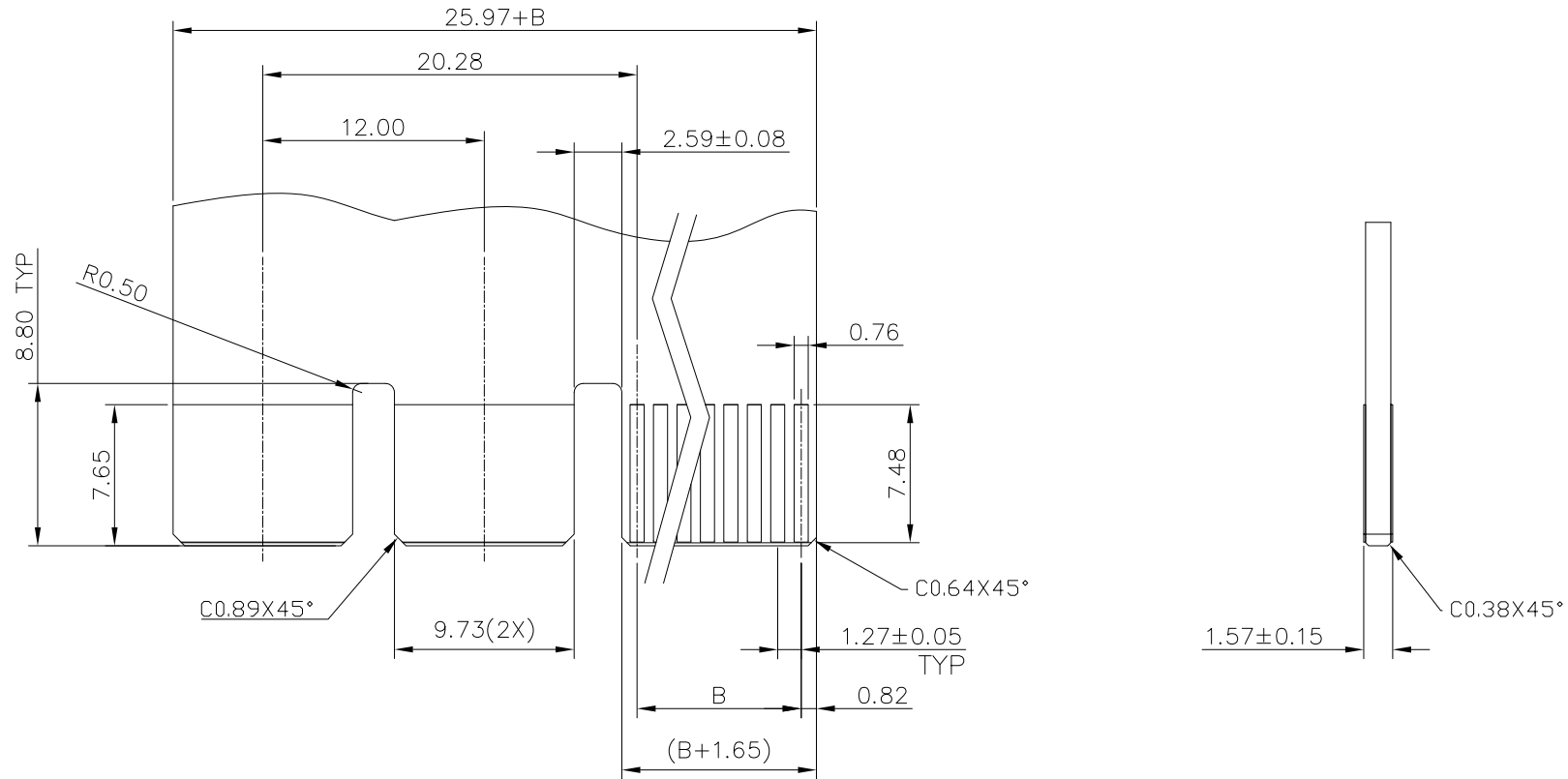
Series 9392 - 2 P04 Sxx N 1 1 CB 30 x A
 2:Female Straight
 P04:Power Contact
 Sxx:Signal Pin
 N: W/O Post.
 1: Without Guides
 A:Tray Package
 P:Press-Fit Type
 D:Dip Type
 30: 30 u"
 C:Selective Gold Plated
 CB: Dip Tin Plated Contact
 Au+Pd/Ni Plated
 1:DIM T=2.5mm

Available Pos.	**Available Position Dimension		
	A	B	C
P04S12	35.12	6.35	41.51
P04S16	37.66	8.89	44.05
P04S20	40.20	11.43	46.59
* P04S24	42.74	13.97	49.13
P04S28	45.28	16.51	51.67
P04S32	47.82	19.05	54.21
P04S36	50.36	21.59	56.75
P04S40	52.90	24.13	59.29

Tolerances	Dwg. No.	9392-D0000-004	Title:
x = ±0.5	Projection		9392 Series
.x = ±0.25	Unit	mm	Low Profile Hybrid
.xx = ±0.15	Scale	1:1	Power Receptacle
	Drawn By	GYJ 12/04'24	(T)

OUPIN			
OUPIN ELECTRONIC(KUNSHAN) CO., LTD.			
P/N: 9392-2P04SxxN11CB30xA			
SHEET	1/2	Ver. No.	R14

REV.	SPECIFICATION	ECN NO.	APPD.
R14		ECN241248	



Recommended Edge Card Layout
(Tolerance:±0.05)

Tolerances	Dwg. No.	9392-D0000-004		Title:	
x = ±0.5	Projection			9392 Series	
.x = ±0.25	Unit	mm	Scale	1:1	Low Profile Hybrid
.xx = ±0.15	Drawn By	GYJ	12/04'24	©(T)	Power Receptacle

OUPIIN ELECTRONIC(KUNSHAN) CO., LTD.			
P/N: 9392-2P04SxxN11CB30xA			
SHEET	2/2	Ver. No.	R14