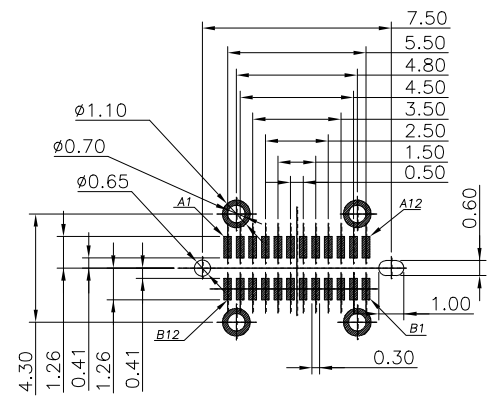
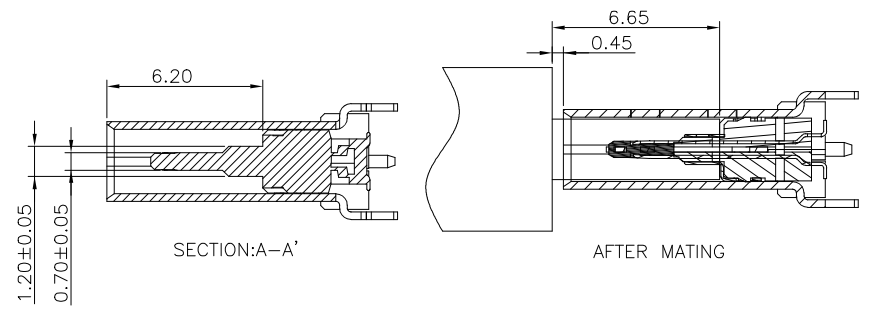
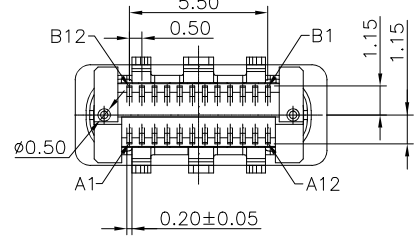
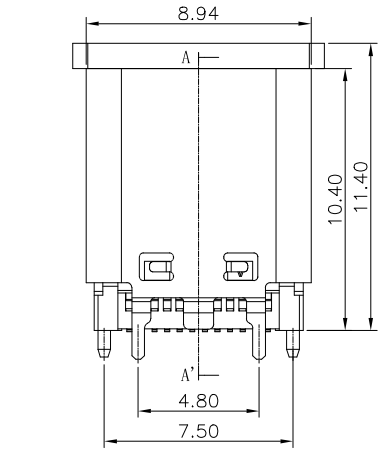
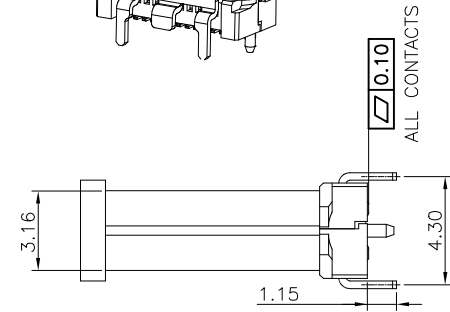
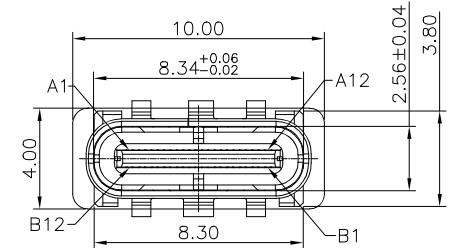
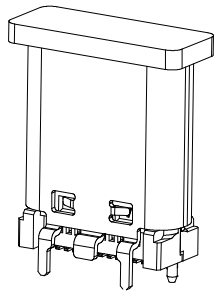
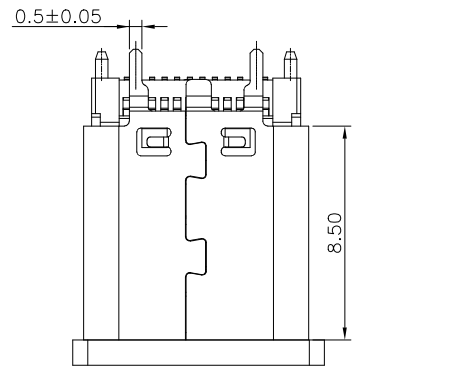


REV.	SPECIFICATION	ECN NO.	APPD.



RECOMMENDED PCB LAYOUT
THICKNESS 1.0±0.10MM;DEFAULT TOLERANCE:±0.05

8975A-C 24 C 00 D B 8 P T -P

Series ————
Position ————
C00: Selective Gold Plated ————
00:Gold Flash ————
D: SMD Type ————

P: Plastic Pad
T: Tape & Reel Package
P: With Post
Type 8
B: Black

Tolerances	Dwg. No.	S6520230419-02
.x = ±0.30	Projection	⊕ ⊞
.xx = ±0.25	Unit	mm
.xxx = ±0.10	Scale	1:N
	Drawn By	Martin 04/19'23

Title: 8975A-C Series
USB 3.1 C Type
Receptacle SMD



OUPIIN			
OUPIIN ELECTRONIC(KUNSHAN) CO., LTD.			
P/N: 8975A-C24C00DB8PT-P			
SHEET	1/2	Ver.No.	X1

① 676

REV.	SPECIFICATION	ECN NO.	APPD.

USB TYPE-C PIN ASSIGNMENTS

PIN NUMBER	SIGNAL NAME	PIN NUMBER	SIGNAL NAME
A1	GND	B12	GND
A2	SSTXp1	B11	SSRXp1
A3	SSTXn1	B10	SSRXn1
A4	Vbus	B9	Vbus
A5	CC1	B8	SBU2
A6	Dp1	B7	Dn2
A7	Dn1	B6	Dp2
A8	SBU1	B5	CC2
A9	Vbus	B4	Vbus
A10	SSRXn2	B3	SSTXn2
A11	SSRXp2	B2	SSTXp2
A12	GND	B1	GND

Tolerances .x = ±0.30 .xx = ±0.25 .xxx = ±0.10	Dwg. No.	S6520230419-02	Title: 8975A-C Series USB 3.1 C Type Receptacle SMD	 OUPIIN ELECTRONIC(KUNSHAN) CO., LTD. P/N: 8975A-C24C00DB8PT-P	
	Projection				SHEET 2/2 Ver.No. X1
	Unit	mm			
Drawn By	Martin	04/19'23	① 676		