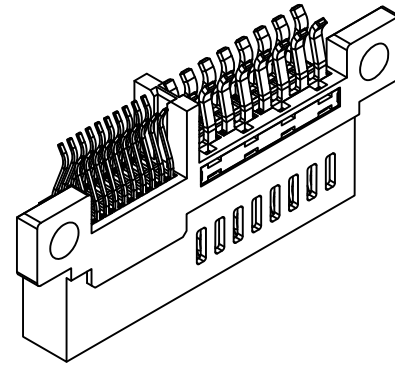


| | | | |
|------|---------------|-----------|-------|
| REV. | SPECIFICATION | ECN NO. | APPD. |
| R1 | | ECN240625 | |



Material and Plating:

Housing: High Temperature Plastic UL94V-0 .
Power Contacts: High Conductivity Copper.
Signal Contacts: Phosphor Bronze.
 30u" Au+Pd/Ni on Contact Area and 80u" Min Tin Plated on Solder Tail over Nickel 50u" Min .

Electrical Characteristics:

Current Rating: Power Pin 12.5A (UL). Signal Pin 1.5A .
Dielectric Withstanding Voltage:

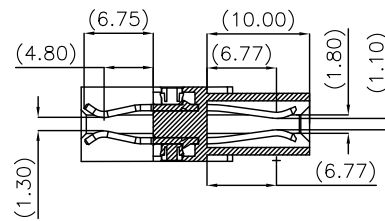
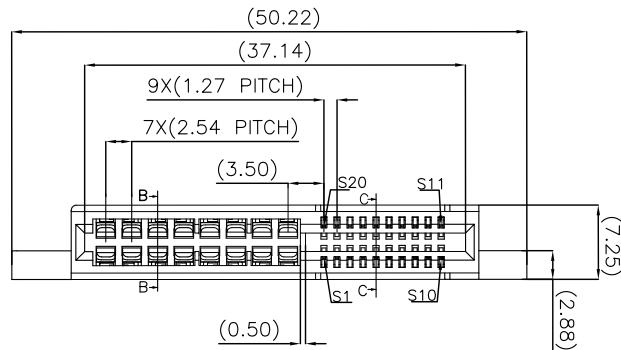
Power Pin DC 1000V For 1 Minute.
 Signal Pin DC 500V For 1 Minute.

Contact Resistance: Power Pin 0.6mΩ max.
 Signal Pin 25mΩ max.

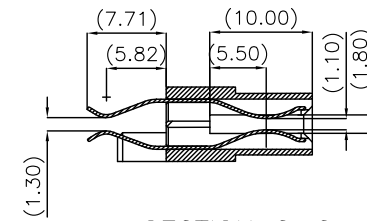
Insulation Resistance: Power Pin 5000MΩ min. at DC 500V.
 Signal Pin 500MΩ min. at DC 500V.

Operating Temperature: -55°C~+105°C.

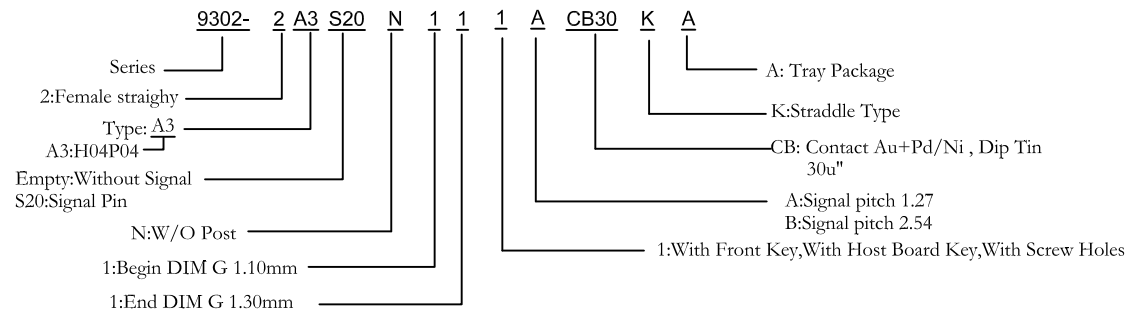
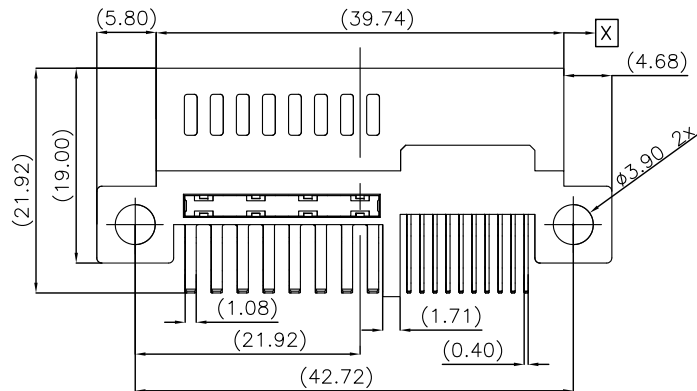
***Rohs Compliant**



SECTION B-B



SECTION C-C

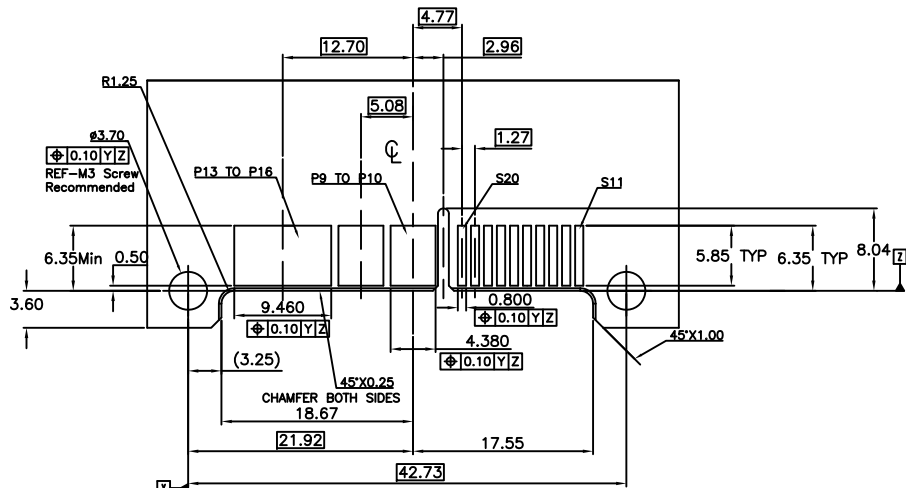


| | | | |
|------------|------------|----------------|-----------|
| Tolerances | Dwg No. | 9302-D0000-004 | |
| X=±0.5 | Projection | | |
| .X=±0.25 | Unit | mm | Scale 1:1 |
| .XX=±0.15 | Drawn By | SXH 06/19'24 | |

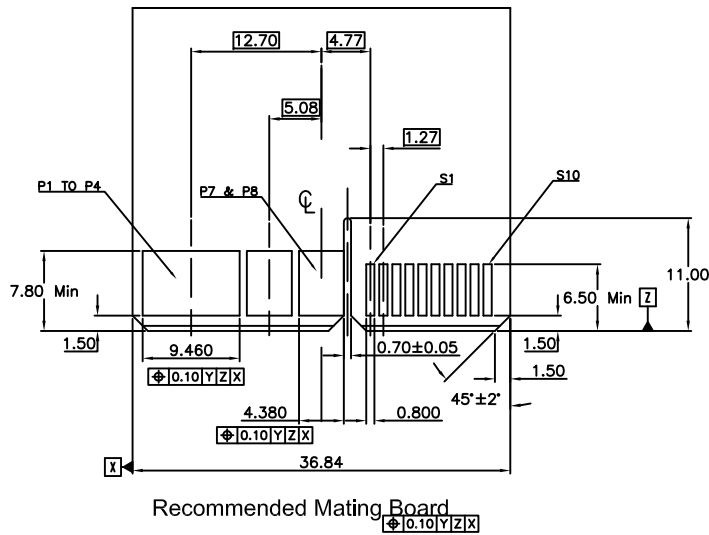
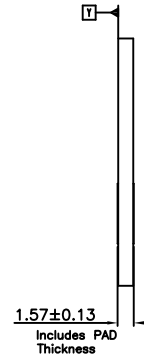
Title:
 9302 Series
 High Power And Signal
 Edge Card Connector

| | | | |
|--------------------------------------|-----|---------|----|
| DUPIIN | | | |
| DUPIIN ELECTRONIC(KUNSHAN) CO., LTD. | | | |
| P/N: 9302-2A3S20N11ACB30KA | | | |
| SHEET | 1/2 | Ver.No. | R1 |

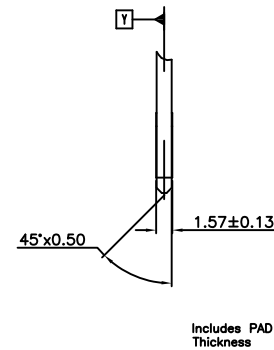
| | | | |
|------|---------------|-----------|-------|
| REV. | SPECIFICATION | ECN NO. | APPD. |
| R1 | | ECN240625 | |



Recommended Host Board Layout



Recommended Mating Board



| | | | |
|------------|------------|----------------|-----------|
| Tolerances | Dwg No. | 9302-D0000-004 | |
| X=±0.5 | Projection | | |
| .X=±0.25 | Unit | mm | Scale 1:1 |
| .XX=±0.15 | Drawn By | SXH 06/19/24 | |

Title:
9302 Series
High Power And Signal
Edge Card Connector

| | | | |
|--------------------------------------|-----|---------|----|
| | | | |
| DUPIIN ELECTRONIC(KUNSHAN) CO., LTD. | | | |
| P/N: 9302-2A3S20N11ACB30KA | | | |
| SHEET | 2/2 | Ver.No. | R1 |