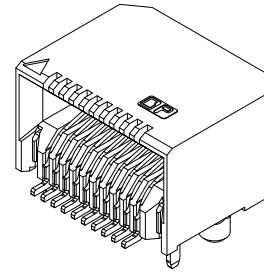
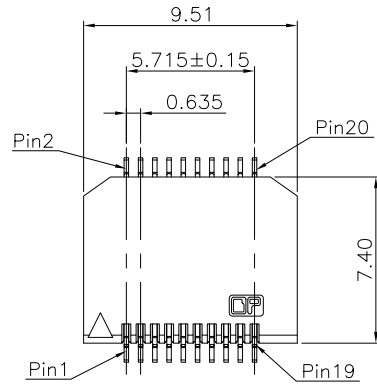


REV.	SPECIFICATION	ECN NO.	APPD.
R2		ECN241040	



Material and Plating:

Housing: LCP, UL94V-0, BLACK.

Signal Contacts: High performance Copper Alloy
Gold plated on Contact Area and 80u" Min Tin
Plated on Solder Tail over nickel 50u" Min .

Lock: Brass

80u" Min Tin Plated over nickel 50u" Min .

Electrical Characteristics:

Current Rating: 1.8A @ 30°C Temperature Rise.

Dielectric Withstanding Voltage:

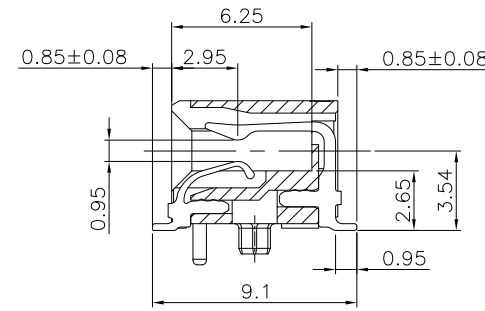
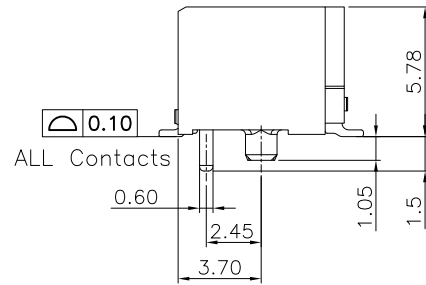
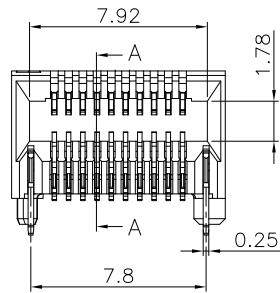
AC 565V For 1 minute.

Insulator Resistance: 5000MΩ min. at DC 500V.

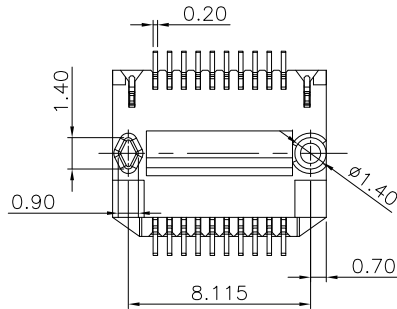
Contact Resistance: 15.8mΩ max. at DC 100mA.

Operating Temperature: -55°C~+125°C.

***RoHS Compliant**



SECTION A-A
SCALE 1:1

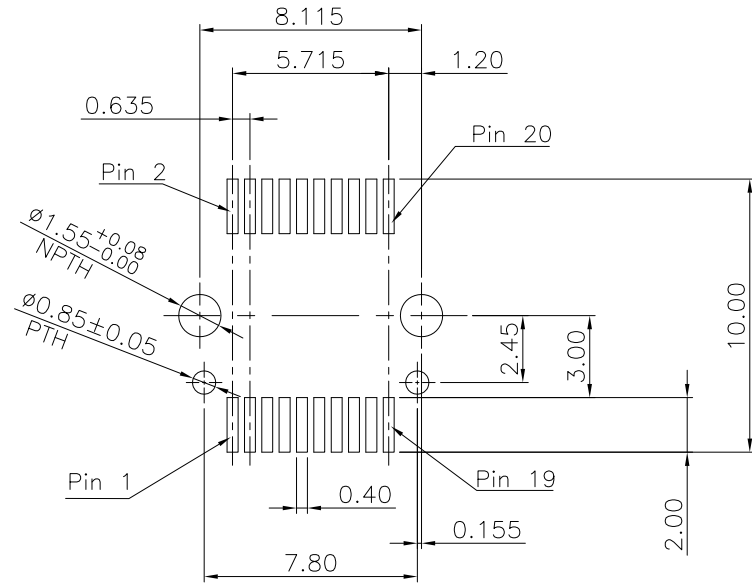


8208-B 2 X 10 C xx D R 2 P L T

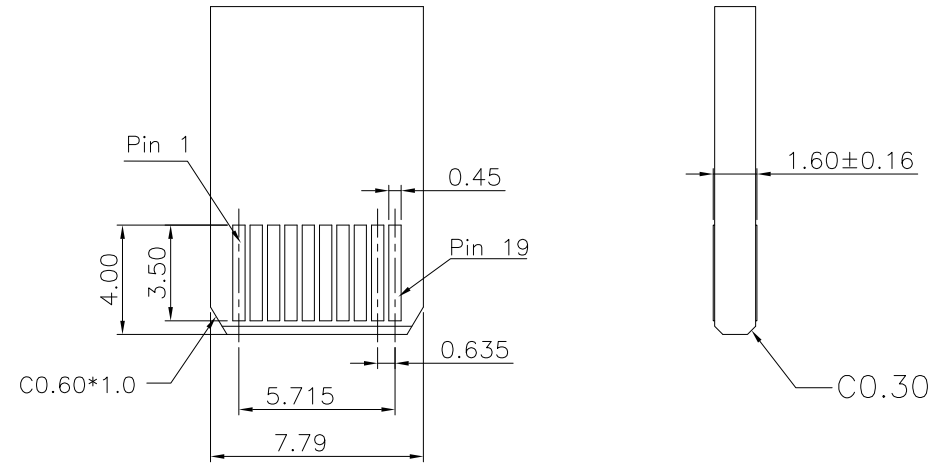
- Series
- Double Row
- Position Per Row
- C: Selective Gold Plated
 - 10: 10μ"
 - 30: 30μ"
- D: SMD Type
- R: Right Angle
- 2: Card Thickness 1.60mm
- P: With Post
- L: With Lock
- T: Tape&Reel Package

Tolerances	Dwg. No.	8208-D0000-032	Title:		OUPIN OUPIN ELECTRONIC(KUNSHAN) CO., LTD.
x = ±0.50	Projection		8208-B Series Right Angle Edge Card Connector 0.635mm (0.025") Pitch SMD Type		
.x = ±0.25	Unit	mm	Scale	1:1	P/N: 8208-B2X10CxxDR2PLT
.xx = ±0.15	Drawn By	GYJ 11/07'24			SHEET 1/2 Ver.No. R2


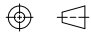
REV.	SPECIFICATION	ECN NO.	APPD.
R2		ECN241040	



P.C. Board Layout (TOP View)
(Tolerance ± 0.05)



RECOMMENDED MATING BOARD FOOTPRINT
(Tolerance ± 0.05)

Tolerances	Dwg. No.	8208-D0000-032	Title:		 OUPIIN ELECTRONIC(KUNSHAN) CO., LTD.
x = ± 0.50 .x = ± 0.25 .xx = ± 0.15	Projection		8208-B Series Right Angle Edge Card Connector 0.635mm (0.025") Pitch SMD Type		
	Unit	mm	Scale	1:1	SHEET
	Drawn By	GYJ 11/07'24			2/2
					Ver.No.
					R2