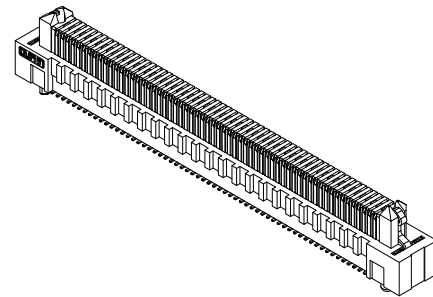
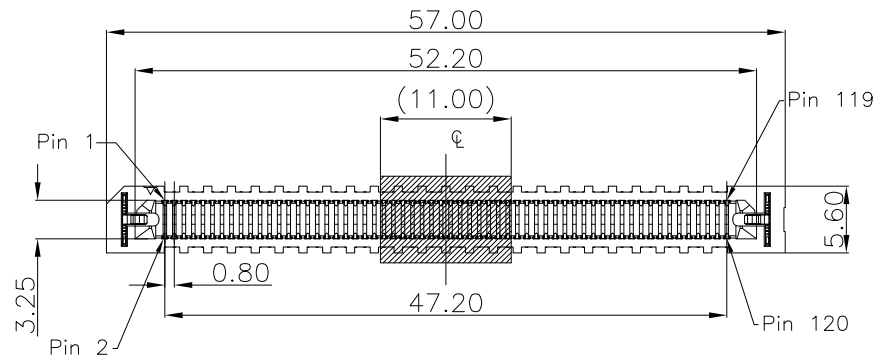


REV.	SPECIFICATION	ECN NO.	APPD.
X2			



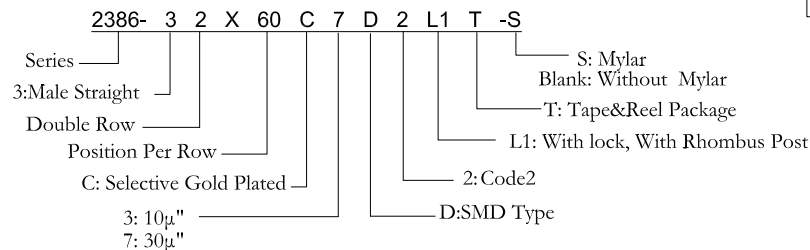
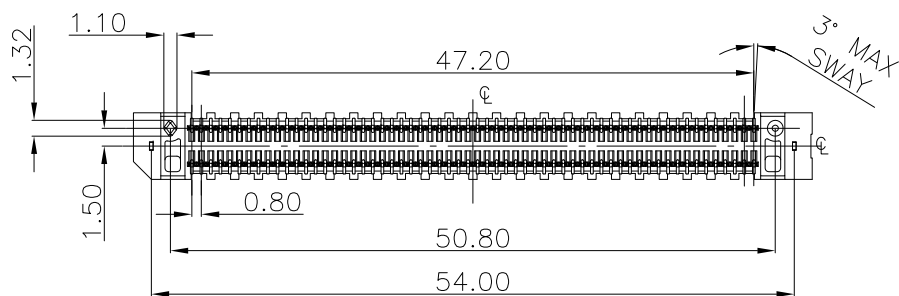
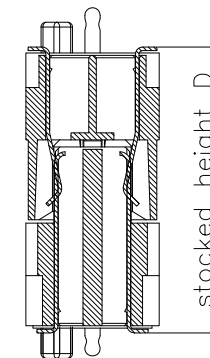
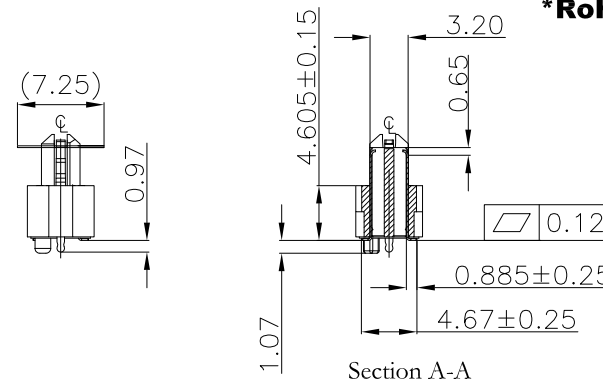
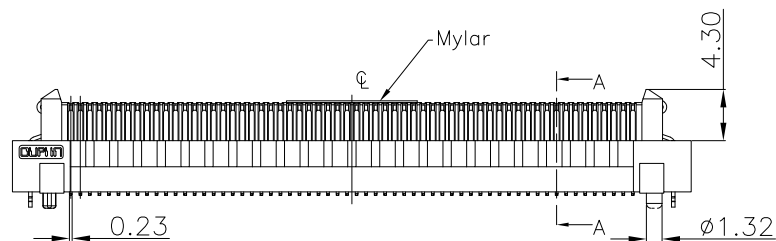
Material and Plating:

Housing: LCP, UL94V-0, BLACK.
Contacts: Brass.
 Gold Plated on Contact Area and 80u" Min Tin Plated on Solder Tail over Nickel 50u" Min.
Lock: Phosphor Bronze.
 80u" Min Tin Plated over Nickel 50u" Min.

Electrical Characteristics:

Current Rating: 1.5 AMP Per Contact With 1 Contact.
Voltage Rating: 300V AC.
Dielectric Withstanding Voltage: AC 500V For 1 Minute.
Insulator Resistance: 50000 MΩ Min.
Contact Resistance: 25mΩ max.
Operating Temperature: -55°C ~ +125°C.

***RoHS Compliant**



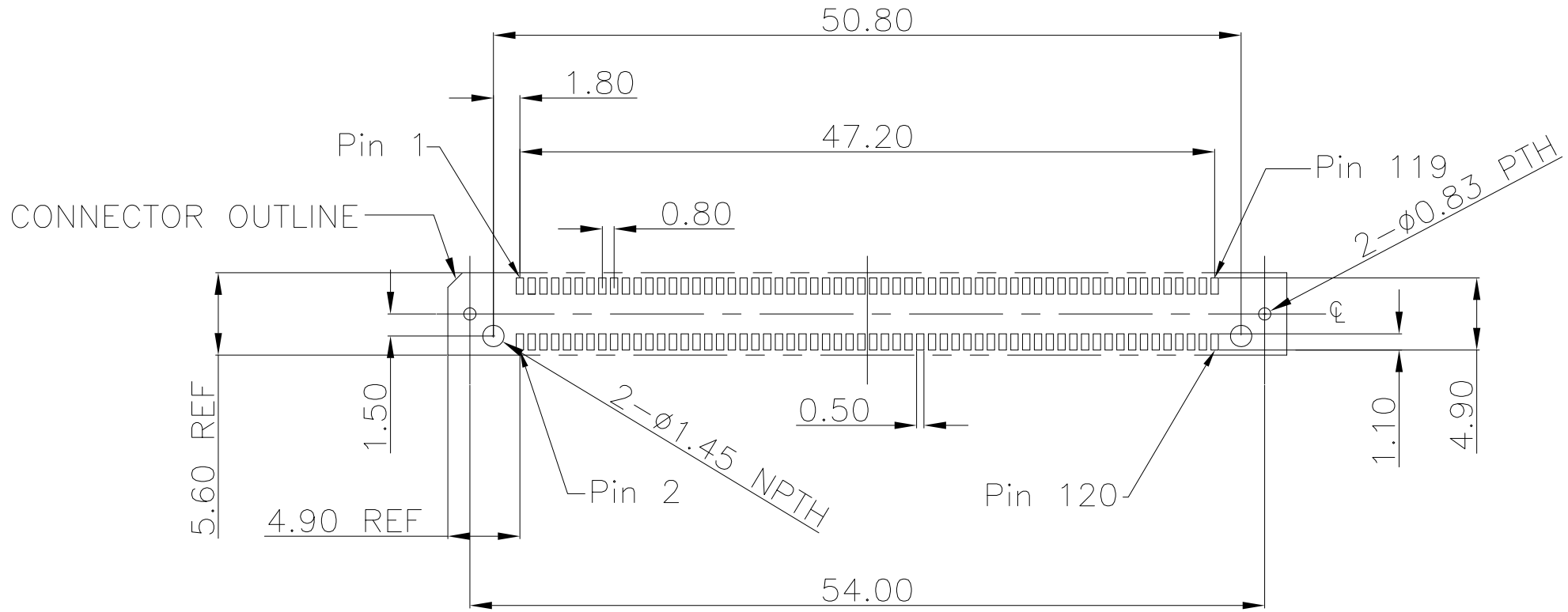
Code	2
Height C	4.605
Stacked Height D	10.0 12.0 14.0 15.0

PROPOSAL ONLY

Tolerances	Dwg. No.	2386-D0000-019	Title:
x = ±0.5	Projection		2386 Series Male Straight
.x = ±0.25	Unit	mm	
.xx = ±0.15	Scale	1:1	
	Drawn By	WP 02/17'23	

OUPIN			
OUPIN ELECTRONIC(KUNSHAN) CO., LTD.			
P/N: 2386-32X60C7D2L1T-S			
SHEET	1/2	Ver.No.	X2

REV.	SPECIFICATION	ECN NO.	APPD.
X2			



Recommended PCB Layout
(Tolerance : ±0.05)

PROPOSAL ONLY

Tolerances	Dwg. No.	2386-D0000-019		Title:	
x = ±0.5	Projection			2386 Series	
.x = ±0.25	Unit	mm	Scale	1:1	Male Straight
.xx = ±0.15	Drawn By	WP 02/17'23			



OUPIIN ELECTRONIC(KUNSHAN) CO., LTD.

P/N: 2386-32X60C7D2L1T-S

SHEET	2/2	Ver.No.	X2
-------	-----	---------	----