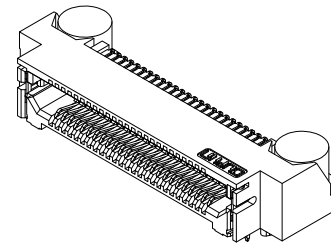
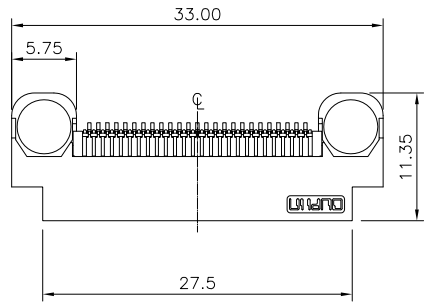


REV.	SPECIFICATION	ECN NO.	APPD.
X1			



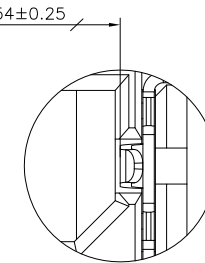
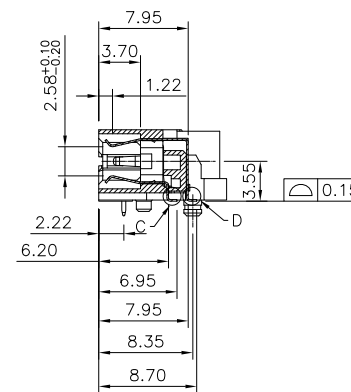
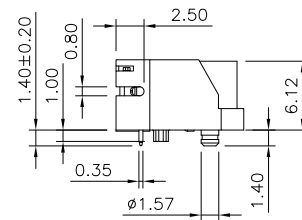
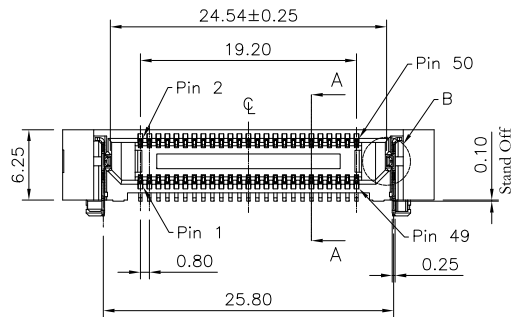
Material and Plating:

Housing: LCP, UL94V-0, Black.
 Contacts: Phosphor Bronze
 Gold Plated on Contact Area and 80u" Min
 Tin Plated on Solder Tail over nickel 50u" Min .
 Counterweight: Brass
 Latches: Phosphor Bronze

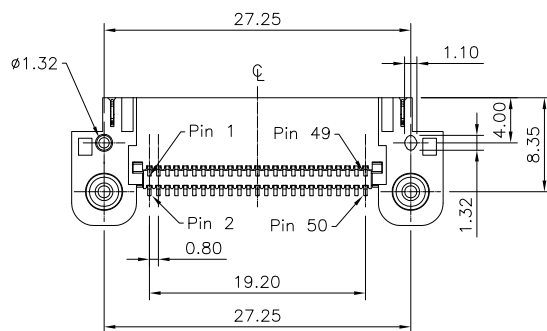
Electrical Characteristics:

Current Rating: 1.4 AMP.
 Dielectric Withstanding Voltage: AC 900V For 1 Minute.
 Insulation Resistance: 50000MΩ min.
 Contact Resistance: 25mΩ max.
 Operating Temperature: -55°C~+125°C.

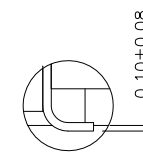
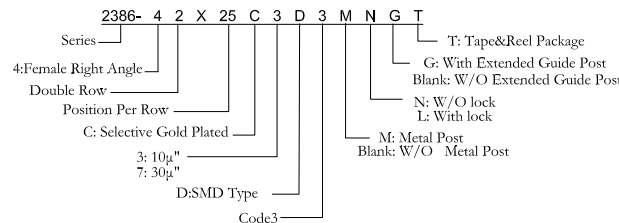
***RoHS Compliant**



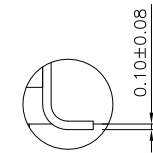
Detail B
Scale 4:1



Section A-A



Detail C
Scale 5:1



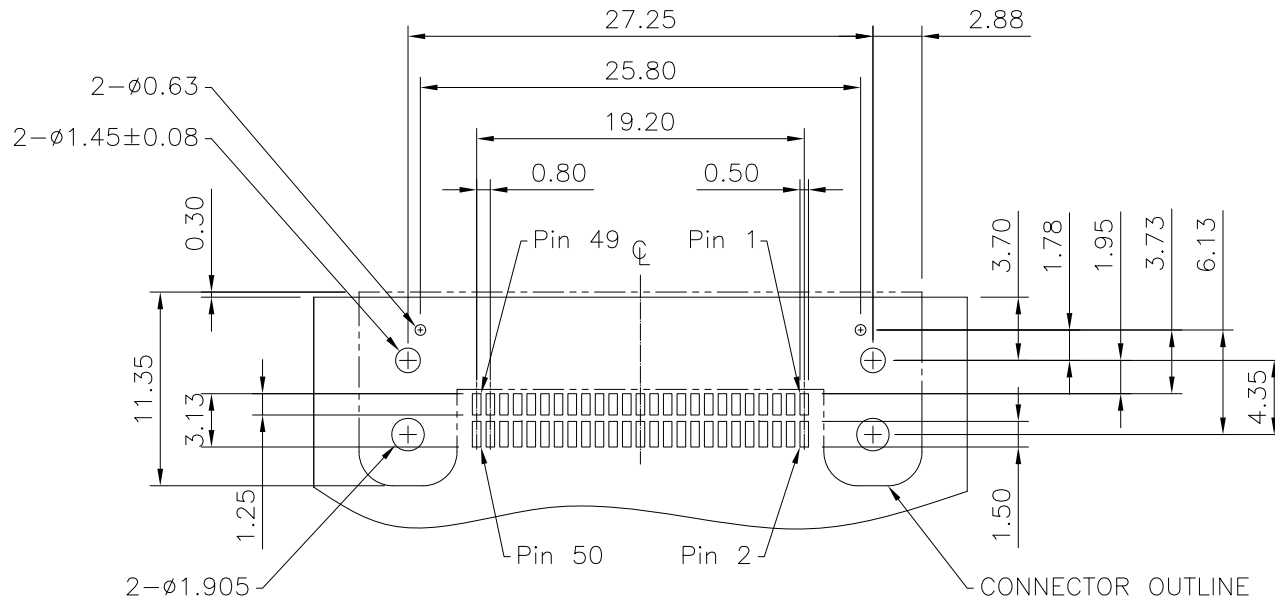
Detail D
Scale 5:1

PROPOSAL ONLY

Tolerances	Dwg No.	2386-D0000-017		Title:	
x = ±0.50	Projection	⊕ ⊖		2386 Series Female Right Angle	
.x = ±0.25	Unit	mm	Scale		1:1
.xx = ±0.15	Drawn By	WP	02/22'22		

OUPIN			
OUPIN ELECTRONIC(KUNSHAN) CO., LTD.			
P/N: 2386-42X25C3D3MNGT			
SHEET	1/2	Ver.No.	X1

REV.	SPECIFICATION	ECN NO.	APPD.
X1			



Recommended PCB Layout
(Tolerance: ± 0.05)

PROPOSAL ONLY

Tolerances	Dwg No.	2386-D0000-017		Title:	
x = ± 0.50	Projection			2386 Series Female Right Angle	
.x = ± 0.25	Unit	mm	Scale		1:1
.xx = ± 0.15	Drawn By	WP 02/22'22			

OUPIIN ELECTRONIC(KUNSHAN) CO., LTD.			
P/N: 2386-42X25C3D3MNGT			
SHEET	2/2	Ver.No.	X1