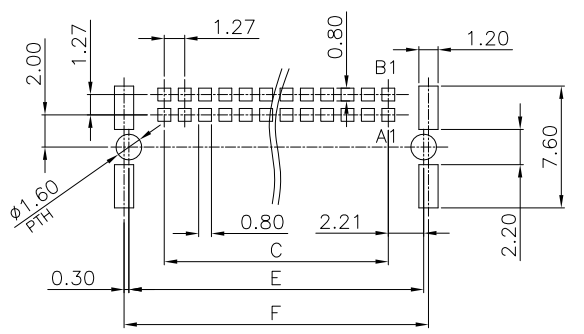
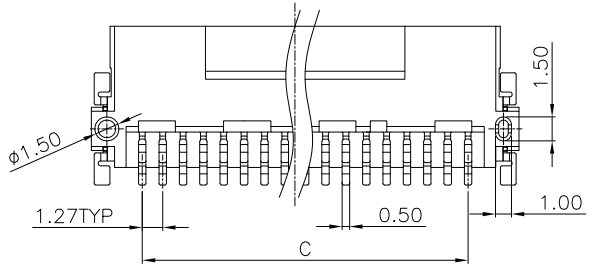
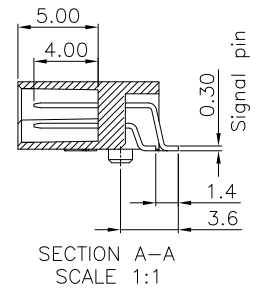
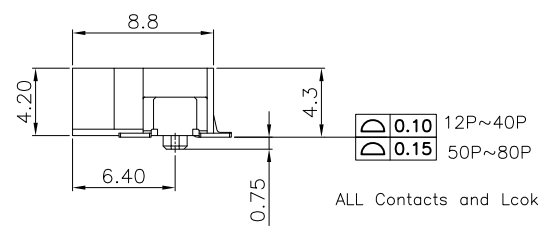
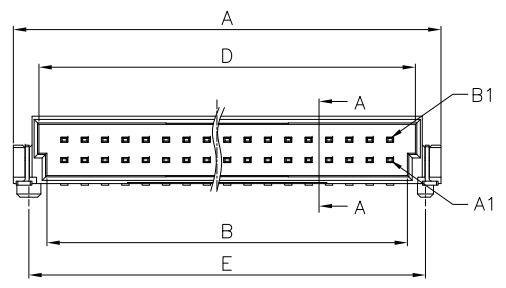
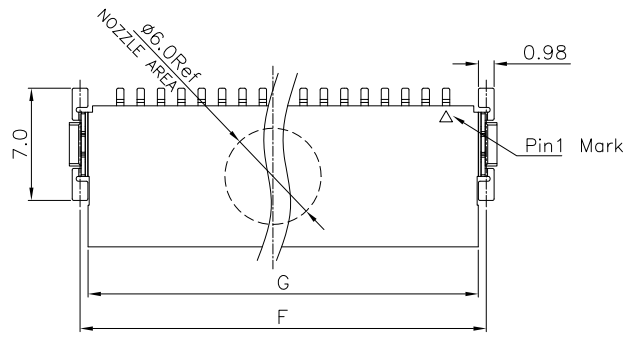
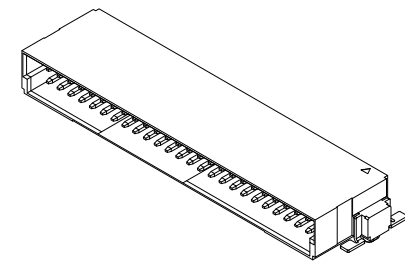


REV.	SPECIFICATION	ECN NO.	APPD.
R2		ECN241017	

Material and Plating:
Housing: LCP, UL94V-0, BLACK.
Signal Contacts: Brass.
Gold plated on Contact Area and 80u" Min Tin Plated on Solder Tail over nickel 50u" Min .
Locks: Brass.
100u" Min Tin Plated over nickel 50u" Min .

Electrical Characteristics:
Current Rating: 1.7A
Dielectric Withstanding Voltage: AC 500V For 1 minute.
Insulator Resistance: 1000MΩ min. at DC 500V.
Contact Resistance: 25mΩ max. at DC 100mA.
Operating Temperature: -55°C~+125°C.

***RoHS Compliant**



P.C. Board Layout (TOP View)
(Tolerance ±0.05)

2321-A xx M C xx D R P T

Series _____
No. of Pin Row _____
M: Male
C: Selective Gold Plated
00: Gold Flash
05: 5μ"
10: 10μ"
30: 30μ"
D: SMD Type
R: Right Angle
P: With Post
N: Without Post
T: Tape&Reel Package

"*" Available Position								
Pos.	Dimension							
	A	B	C	D	E	F	G	
10	11.43	7.30	5.08	8.30	9.50	10.10	9.10	
12	12.7	8.57	6.35	9.57	10.77	11.37	10.37	
16	15.24	11.11	8.89	12.11	13.31	13.91	12.91	
20	17.78	13.65	11.43	14.65	15.85	16.45	15.45	
24	20.32	16.19	13.97	17.19	18.39	18.99	17.99	
26	21.59	17.46	15.24	18.46	19.66	20.26	19.26	
30	24.13	20.00	17.78	21.00	22.20	22.80	21.80	
*	32	25.40	21.27	19.05	22.27	23.47	24.07	23.07
*	40	30.48	26.35	24.13	27.35	28.55	29.15	28.15
*	50	36.83	32.70	30.48	33.70	34.90	35.50	34.50
	68	48.26	44.13	41.91	45.13	46.33	46.93	45.93
*	80	55.88	51.75	49.53	52.75	53.95	54.55	53.55

Tolerances	Dwg. No.	2321-D0000-006	Title:	
x = ±0.50	Projection		2321-A Series	
.x = ±0.25	Unit	mm	Scale	1:1
.xx = ±0.15	Drawn By	SXH 06/14'24	1.27mm Pitch SMC Male Connector Two Row Right Angle SMD Type	

OUPIN
OUPIN ELECTRONIC(KUNSHAN) CO., LTD.
P/N: 2321-AxxMCxxDRPT

SHEET	1/1	Ver.No.	R2
--------------	-----	----------------	----