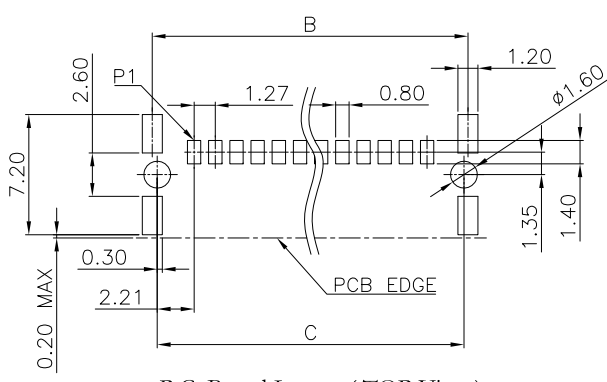
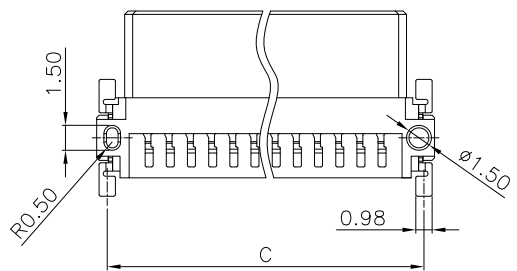
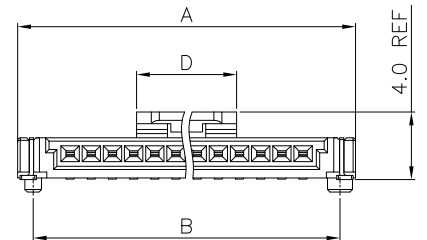
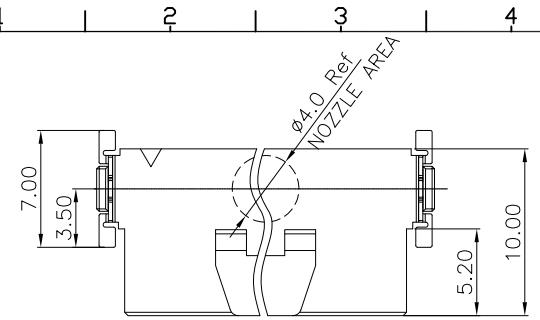
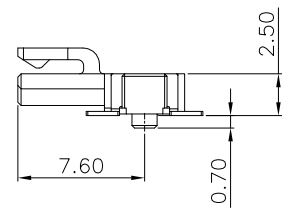
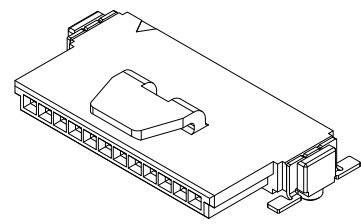


|      |               |         |       |
|------|---------------|---------|-------|
| REV. | SPECIFICATION | ECN NO. | APPD. |
| X3   |               |         |       |

**Material and Plating:**  
Housing: LCP, UL94V-0, BLACK.  
**Signal Contacts:** Phosphor Bronze  
Gold plated on Contact Area and 80u" Min Tin Plated on Solder Tail over nickel 50u" Min .  
**Locks:** Brass.  
100u" Min Tin Plated over nickel 50u" Min .

**Electrical Characteristics:**  
Current Rating: 1.7A.  
Dielectric Withstanding Voltage: AC 500V .  
Insulator Resistance: 1000MΩ min.  
Contact Resistance: 25mΩ max. at DC 100mA.  
Operating Temperature: -55°C~+125°C.

**\*RoHS Compliant**



P.C. Board Layout (TOP View)  
(Tolerance ±0.05)

**2321-A 1 X xx F C xx D R P T**

Series \_\_\_\_\_ T: Tape&Reel Package  
Single Row \_\_\_\_\_ P: With Post  
No. of Pin Row \_\_\_\_\_ R: Right Angle  
F: Female \_\_\_\_\_ D: SMD Type  
C: Selective Gold Plated \_\_\_\_\_  
00: Gold Flash  
05: 5μ"  
30: 30μ"

| "*" Available Position |           |       |       |       |
|------------------------|-----------|-------|-------|-------|
| Pos.                   | Dimension |       |       |       |
|                        | A         | B     | C     | D     |
| 02                     | 7.56      | 5.69  | 6.29  | 4.3   |
| 03                     | 8.83      | 6.96  | 7.56  | 5.6   |
| 04                     | 10.10     | 8.23  | 8.83  | 6.0   |
| 06                     | 12.64     | 10.77 | 11.37 |       |
| 08                     | 15.18     | 13.31 | 13.91 |       |
| 10                     | 17.72     | 15.85 | 16.45 |       |
| *                      | 12        | 20.26 | 18.39 | 18.99 |

|                   |                   |                |   |
|-------------------|-------------------|----------------|---|
| <b>Tolerances</b> | <b>Dwg. No.</b>   | 2321-D0000-004 | <b>Title:</b>   |
| x = ±0.50         | <b>Projection</b> |                | 2321-A Series<br>1.27mm SMC Female Connector<br>Single Row Right Angle SMD Type |
| .x = ±0.25        | <b>Unit</b>       | mm             |   |
| .xx = ±0.15       | <b>Scale</b>      | 1:1            |   |
|                   | <b>Drawn By</b>   | SXH 06/14'24   |   |

**OUPIN**  
**OUPIN ELECTRONIC(KUNSHAN) CO., LTD.**  
**P/N: 2321-A1XxxFCxxDRPT**

|              |     |                |    |
|--------------|-----|----------------|----|
| <b>SHEET</b> | 1/1 | <b>Ver.No.</b> | X3 |
|--------------|-----|----------------|----|