

REV.	SPECIFICATION	ECN NO.	APPD.
R2		ECN 241017	

Material and Plating:
Housing: LCP, UL94V-0 , BLACK.
Signal Contacts: Phosphor Bronze
 Gold plated on Contact Area and 80u" Min Tin Plated on Solder Tail over nickel 50u" Min .
Locks: Brass.
 100u" Min Tin Plated over nickel 50u" Min .

Electrical Characteristics:
Current Rating: 1.7A.
Dielectric Withstanding Voltage: AC 500V .
Insulator Resistance: 1000MΩ min.
Contact Resistance: 25mΩ max. at DC 100mA.
Operating Temperature: -55°C~+125°C.

***RoHS Compliant**

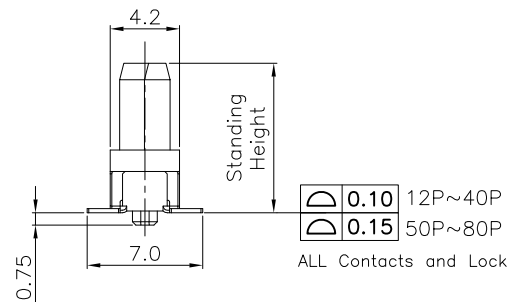
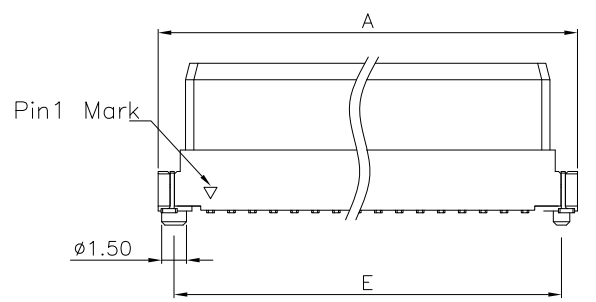
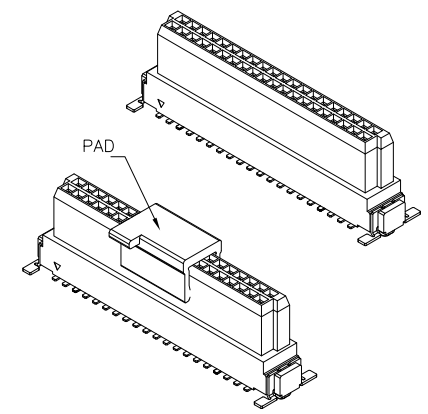
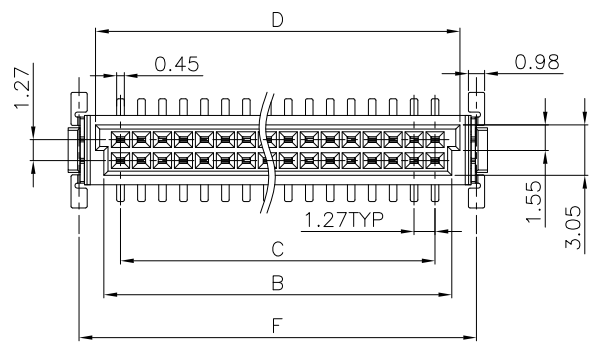
2321-A xx F C 00 D P x T -P

Series
 Position
 F: Female
 C: Selective Gold Plated
 00: Gold Flash
 05: 5μ"
 30: 30μ"

P: Plastic Pad
 T: Tape&Reel Package

1: Standing Height = 6.25mm, Dim X=1.05
 2: Standing Height = 9.05mm, Dim X=3.85
 3: Standing Height = 13.65mm, Dim X=8.45
 P: With Post
 D: SMD Type

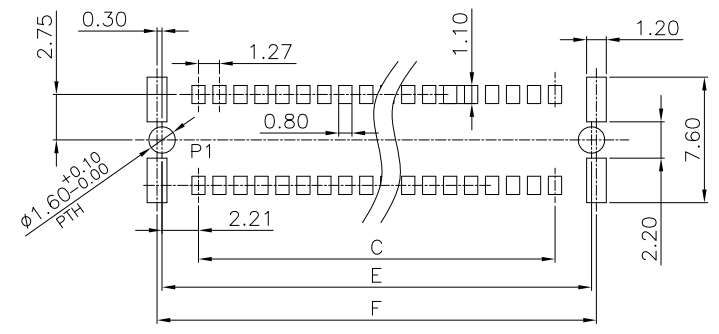
**"Available Position							
Code	Pos	Dimension					
		A	B	C	D	E	F
	10	11.43	7.10	5.08	8.10	9.50	10.10
	12	12.7	8.37	6.35	9.37	10.77	11.37
	16	15.24	10.91	8.89	11.91	13.31	13.91
	20	17.78	13.45	11.43	14.45	15.85	16.45
	24	20.32	15.99	13.97	16.99	18.39	18.99
	26	21.59	17.26	15.24	18.26	19.66	20.26
	30	24.13	19.80	17.78	20.80	22.20	22.80
	32	25.40	21.07	19.05	22.07	23.47	24.07
*		40	30.48	26.15	24.13	27.15	28.55
*		50	36.83	32.50	30.48	33.50	34.90
	68	48.26	43.93	41.91	44.93	46.33	46.93
*	*	80	55.88	51.55	49.53	52.55	53.95
Code	1	2	3				
X(2321-AxxM)	6.75	8.25	9.85				
Y(2321-AxxF)	6.25	9.05	13.65	6.25	9.05	13.65	9.05
H(Mating)	8.0	10.8	15.4	9.5	12.3	16.9	11.1



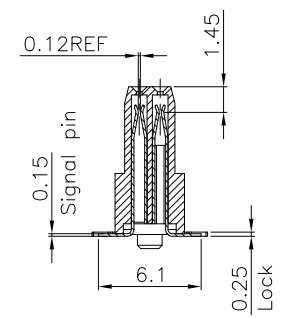
Series
 Position
 F: Female
 C: Selective Gold Plated
 00: Gold Flash
 05: 5μ"
 30: 30μ"

P: Plastic Pad
 T: Tape&Reel Package

1: Standing Height = 6.25mm, Dim X=1.05
 2: Standing Height = 9.05mm, Dim X=3.85
 3: Standing Height = 13.65mm, Dim X=8.45
 P: With Post
 D: SMD Type



P.C. Board Layout (TOP View)
 (Tolerance ±0.05)



SECTION A-A
 SCALE 1:1

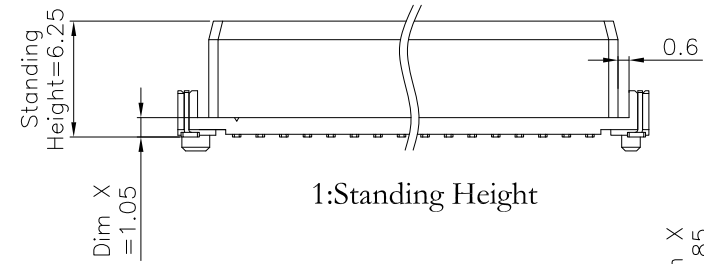
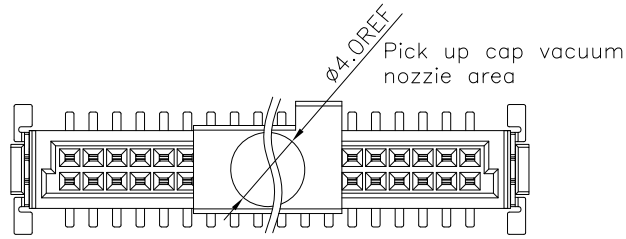
Tolerances	Dwg. No.	2321-D0000-002
x = ±0.50	Projection	
.x = ±0.25	Unit	mm
.xx = ±0.15	Scale	1:1
	Drawn By	SXH 06/14'24

Title:
 2321-A Series
 1.27mm Pitch SMC Female
 B TO B SMD Type Connector

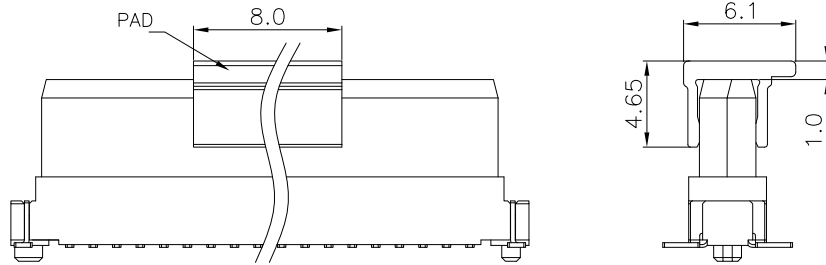
OUPIN
OUPIN ELECTRONIC(KUNSHAN) CO., LTD.
P/N: 2321-AxxFC00DPxT-P

SHEET	1/2	Ver.No.	R2
--------------	-----	----------------	----

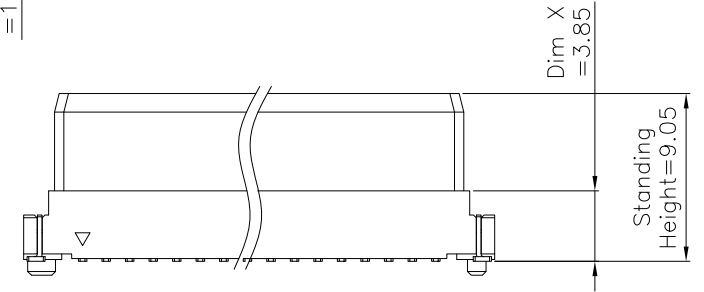
REV.	SPECIFICATION	ECN NO.	APPD.
R2		ECN 241017	



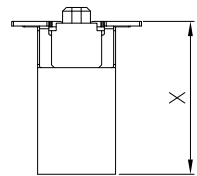
1: Standing Height



Shown With Plastic Pad

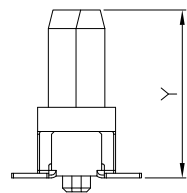
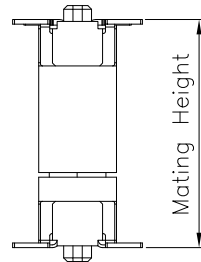


2: Standing Height

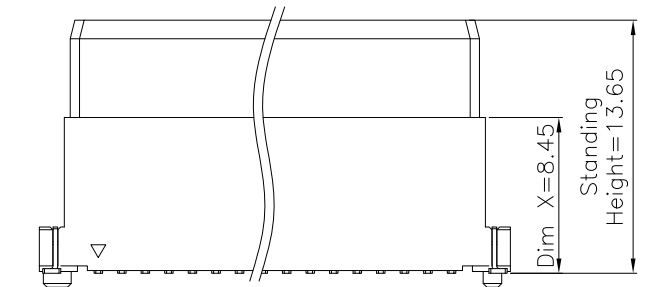


2321-AxxM

Mating
→



2321-AxxF



3: Standing Height

Tolerances	Dwg. No. 2321-D0000-002	Title:		OUPIN OUPIN ELECTRONIC(KUNSHAN) CO., LTD.	
x = ±0.50	Projection	2321-A Series 1.27mm Pitch SMC Female B TO B SMD Type Connector			
.x = ±0.25	Unit mm			Scale 1:1	P/N: 2321-AxxFC00DPxT-P
.xx = ±0.15	Drawn By SXH 06/14'24		SHEET 2/2	Ver.No.	R2