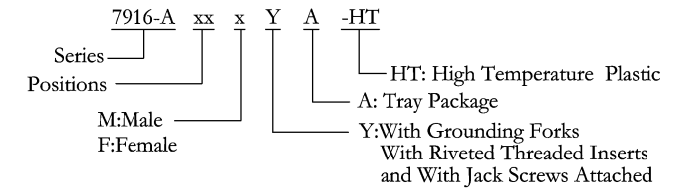
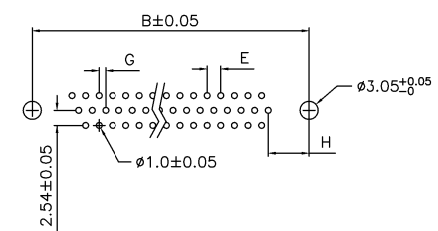
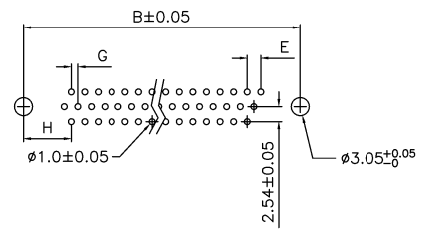
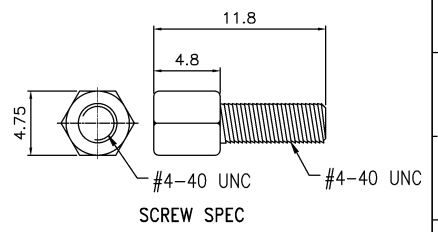
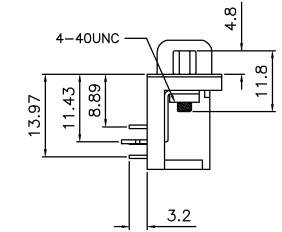
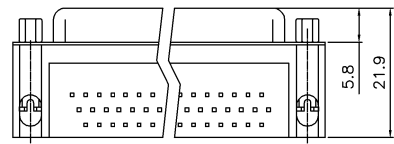
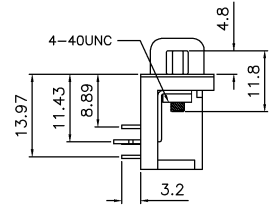
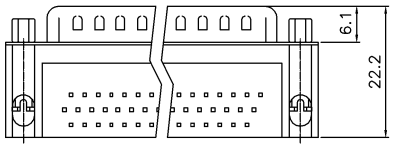
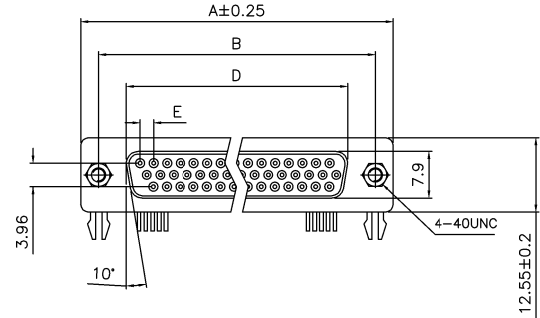
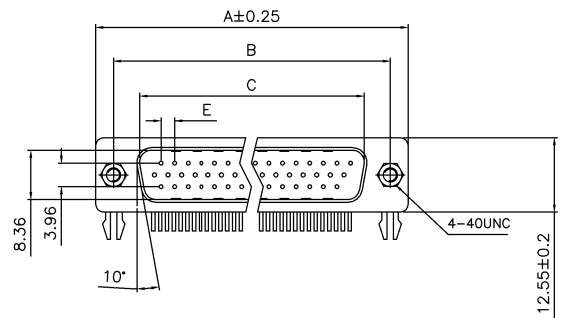


REV.	SPECIFICATION	ECN NO.	APPD.
------	---------------	---------	-------

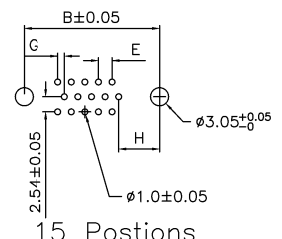
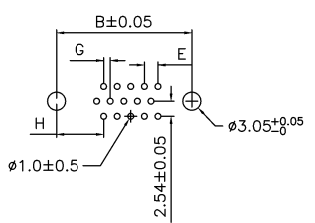
Male

Female



26, 44, 62 Postions

26, 44, 62 Postions



15 Postions
P.C. Board Layout

15 Postions
P.C. Board Layout

Positions	Dimension						
	A	B	C	D	E	G	H
15	30.81	24.99	16.92	16.33	2.29	1.145	7.04
26	39.20	33.30	25.25	24.70	2.29	1.145	6.88
44	53.05	47.04	38.96	38.40	2.29	1.145	6.88
62	69.40	63.50	55.42	54.80	2.41	1.205	7.00

Tolerances	Dwg. No.	S0420220630-06		Title:	7916-A Series H.D.D-SUB Right Angle Type			
x. = ±0.38	Projection	⊕ ⊖		①747	 DUPIN ELECTRONIC(KUNSHAN) CO., LTD. P/N: 7916-AxxMYA-HT&7916-AxxFYA-HT			
.x = ±0.25	Unit	mm	Scale					1:N
.xx = ±0.13	Drawn By	Martin 06/30'22						

SHEET	1/1	Ver.No.	X1
-------	-----	---------	----