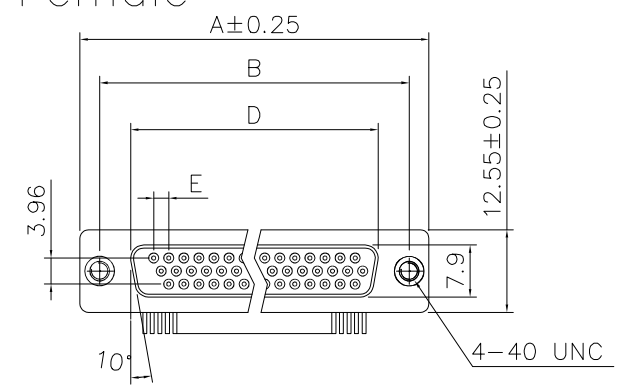
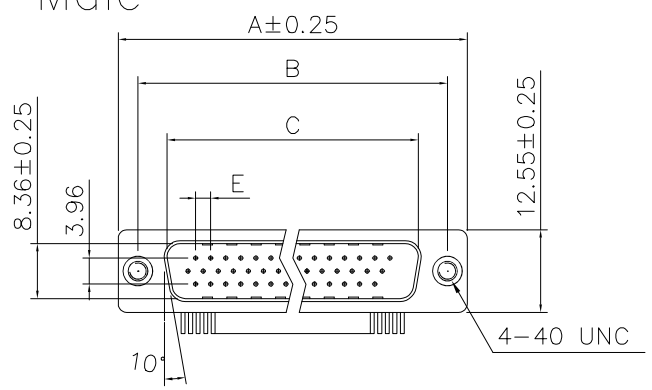


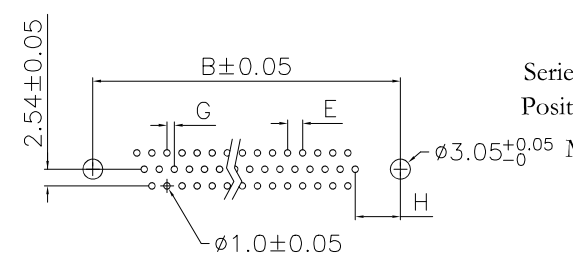
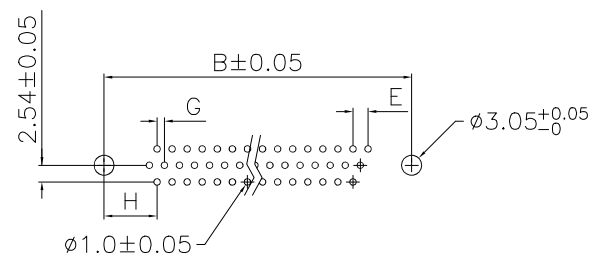
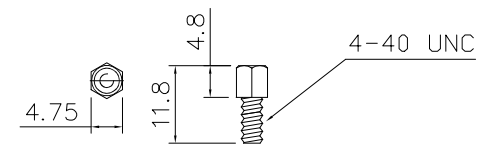
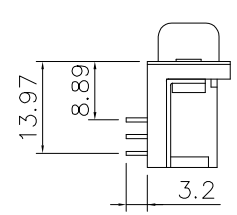
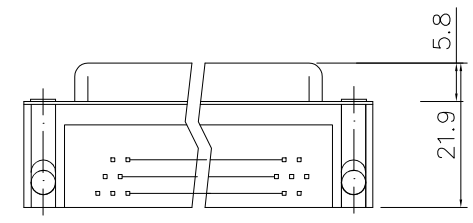
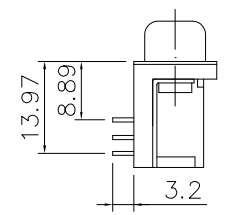
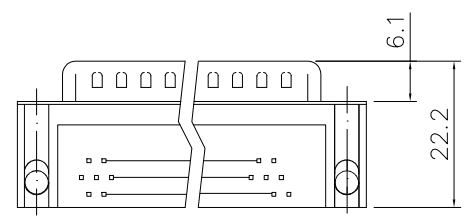
REV.	SPECIFICATION	ECN NO.	APPD.

Male

Female



Material
Housing: PBT, UL94V-0, Black.
Contacts: Brass, Gold Plated on Contact Area and Gold Flash on Solder Tail over Nickel 50u".
Shell: Steel, 60u" Nickel over 50u" copper.
Clinch Nut: Brass, Nickel Plated.
Screwlock: Steel, Nickel Plated.
Electrical Characteristics:
Current Rating: 3 AMP.
Dielectric Withstanding Voltage: AC 1000V.
Insulation Resistance: 1000MΩ min.
Contact Resistance: 20mΩ max.
Operating Temperature: -55°C~+105°C.
***RoHS Compliant**



7916-A xx x L A
 Series
 Positions
 M: Male
 F: Female
 A: Tray Package
 L: With Groundin Strap and With Riveted Threaded Inserts With Jack Screws are Bagged Separately

Recommended P.C. Board Layout

Recommended P.C. Board Layout

Positions	Dimension						
	A	B	C	D	E	G	H
26	39.20	33.30	25.25	24.70	2.29	1.145	6.88
44	53.05	47.04	38.96	38.40	2.29	1.145	6.88
62	69.40	63.50	55.42	54.80	2.41	1.205	7.00

Tolerances	Dwg. No.	S0220221028-03		Title:	
x. = ±0.38	Projection			7916-A Series H.D.D-SUB Right Angle Type	
.x = ±0.25	Unit	mm	Scale		1:N
.xx = ±0.13	Drawn By	Martin 11/03'22			

①747

OUPIIN
 OUPIIN ELECTRONIC(KUNSHAN) CO., LTD.
 P/N: 7916-AxxMLA&7916-AxxFLA

SHEET	1/1	Ver.No.	X1
-------	-----	---------	----