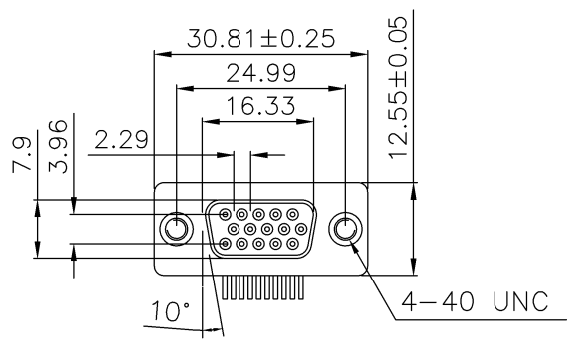
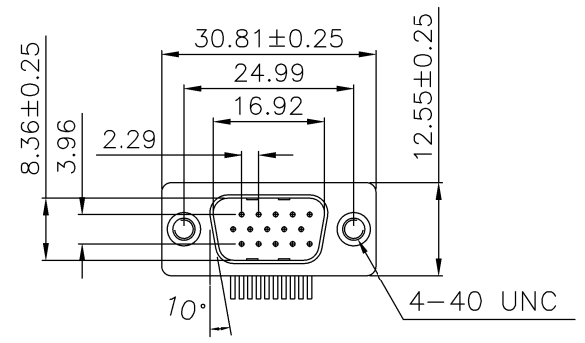


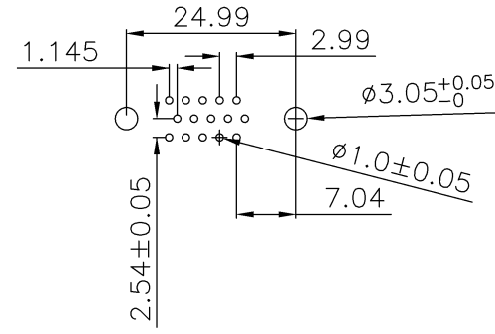
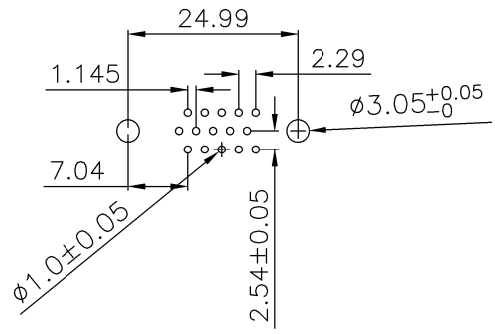
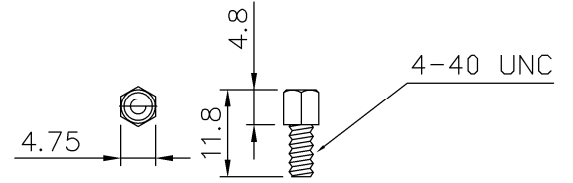
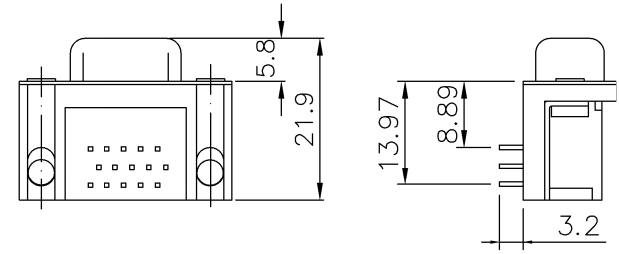
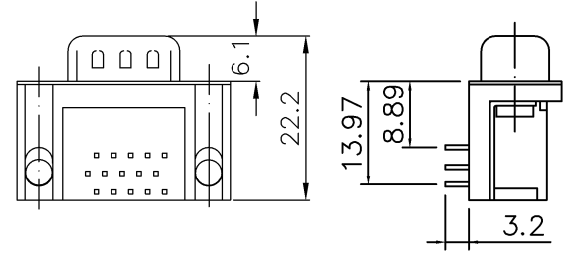
REV.	SPECIFICATION	ECN NO.	APPD.

Male

Female



Material:
Housing: PBT, UL94V-0, Black.
Contacts: Brass, Gold Plated on Contact Area and Gold Flash on Solder Tail over Nickel 50u".
Shell: Steel, 60u" Nickel over 50u" copper.
Clinch Nut: Brass, Nickel Plated.
Screwlock: Steel, Nickel Plated.
Electrical Characteristics:
Current Rating: 3 AMP.
Dielectric Withstanding Voltage: AC 1000V.
Insulation Resistance: 1000MΩ min.
Contact Resistance: 20mΩ max.
Operating Temperature: -55°C~+105°C.
***RoHS Compliant**



7916-A 15 x L A
 Series Positions M:Male F:Female
 A: Tray Package
 L: With Groundin Strap and With Riveted Threaded Inserts
 With Jack Screws are Bagged Separately

Recommended P.C. Board Layout

Recommended P.C. Board Layout

Tolerances	Dwg. No.	S0220221031-01	Title:		 OUPIN ELECTRONIC(KUNSHAN) CO., LTD. P/N: 7916-A15MLA&7916-A15FLA SHEET 1/1 Ver.No. X1
x. = ±0.38	Projection		7916-A Series		
.x = ±0.25	Unit	mm	Scale	1:N	
.xx = ±0.13	Drawn By	Martin 10/31'22	H.D.D-SUB Right Angle Type		
			⑦747		