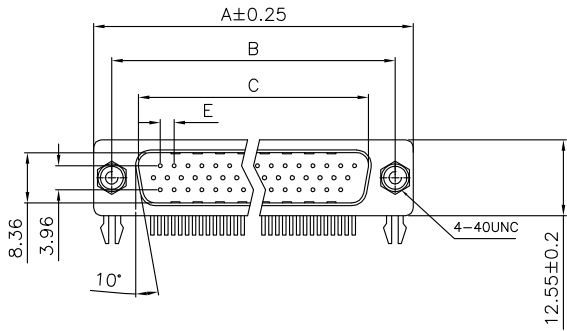
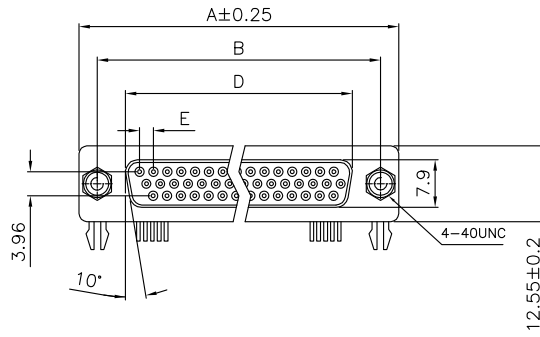


REV.	SPECIFICATION	ECN NO.	APPD.

Male



Female



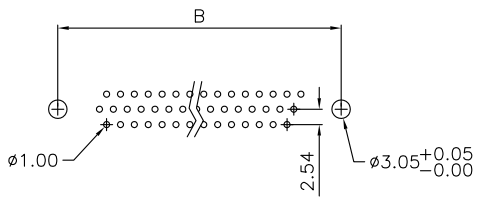
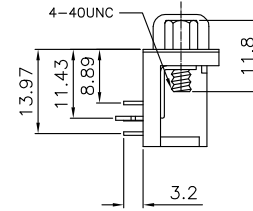
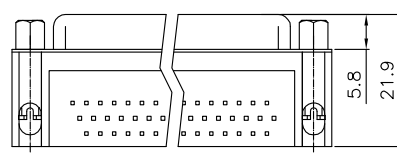
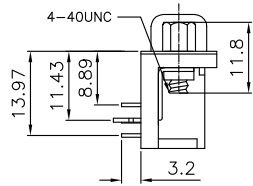
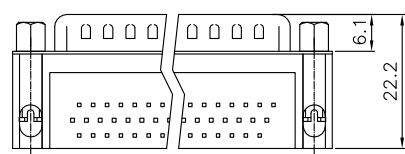
Material:

- Housing: Thermoplastic Polyester Glass Filled UL94V-0.
- Contacts: Copper Alloy.
- Plating: Gold Plated.
- Board Lock: Copper Alloy.
- Shell: Metal.

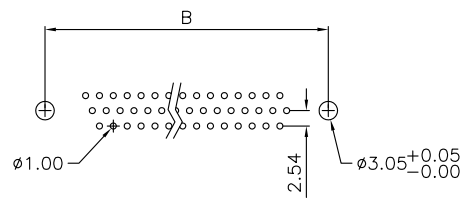
Electrical Characteristics:

- Current Rating: 3 AMP.
- Insulator Resistance: 1000MΩ min. at DC 500V.
- Contact Resistance: 20mΩ max. at DC 100mA.
- Operating Temperature: -55°C ~+105°C .

*RoHS Compliant



P.C. Board Layout



P.C. Board Layout

7916-A	xx	x	A	A
Series	Position	M:Male F:Female	A: With Grounding Forks and with Jack Screw Attached.	A: Tray Package

Position	Dimension				
	A	B	C	D	E
15	30.81	24.99	16.92	16.33	2.29
26	39.20	33.30	25.25	24.70	2.29
44	53.05	47.04	38.96	38.40	2.29
62	69.40	63.50	55.42	54.80	2.41

Tolerances	Dwg. No.	7916D03007
x = ±0.5	Projection	
.x = ±0.25	Unit	mm
.xx = ±0.15	Scale	1:1
	Drawn By	ZJJ 04/26'12

Title:
7916 Series
H.D D-SUB
Right Angle Type
①747

OUPIN
OUPIN ELECTRONIC(KUNSHAN) CO., LTD.
P/N: 7916-AxxMAA&7916-AxxFAA
SHEET 1/1 Ver.No. A1