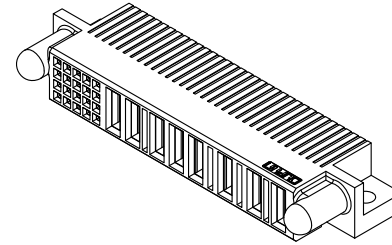
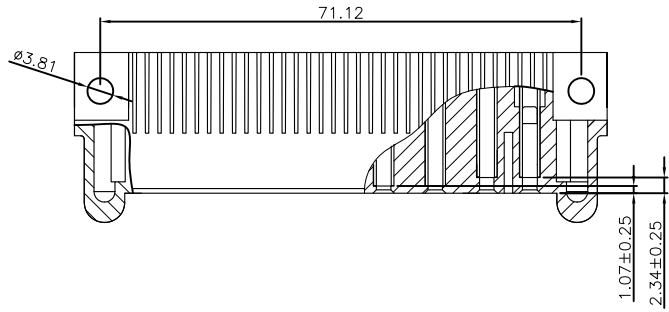


REV.	SPECIFICATION	ECN NO.	APPD.
R2			



**Material and Plating:**

Housing: LCP, UL94V-0, BLACK.  
 Power Contacts: High Conductivity Copper.  
 Gold Plated on Contact Area and 80u" Min Tin Plated on Solder Tail over Nickel 50u" Min.  
 Signal Contacts: Phosphor Bronze.  
 Gold Plated on Contact Area and 80u" Min Tin Plated on Solder Tail over Nickel 50u" Min.

**Electrical Characteristics:**

Current Rating: Signal Pin 2.5 AMP.  
 Power Pin 30 AMP.  
 Dielectric Withstanding Voltage:  
 Signal Pin DC 1000V For 1 minute.  
 Power Pin DC 2500V For 1 minute.  
 Insulator Resistance: Signal Pin 5000MΩ min. at DC 500V.  
 Power Pin 20000MΩ min. at DC 500V.  
 Contact Resistance: Signal Pin 15mΩ max. at DC 20mA.  
 Power Pin 0.7mΩ max. at DC 20mA.  
 Operating Temperature: -40°C ~+105°C.

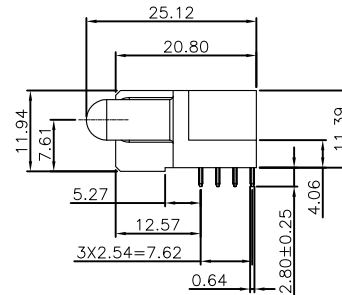
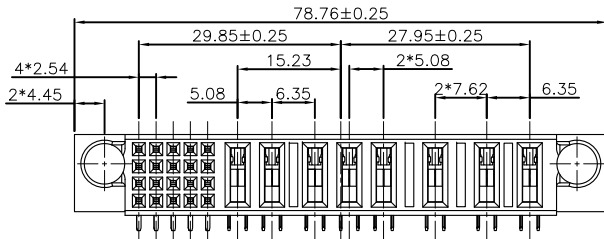
**\*RoHS Compliant**

**Notes 1 :**

H: High density Power---PCB Mount 5.08mm Pitch  
 P: DC Power---PCB Mount 6.35mm Pitch  
 A: AC Power---PCB Mount 7.62mm Pitch  
 S: Signal---PCB Mount 2.54mm Pitch

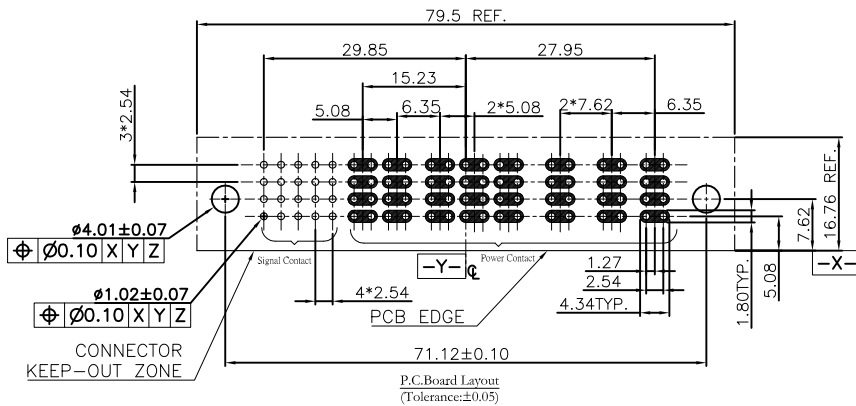
**Notes 2 :**

P1, P2, P7, P8, Power Contact To The Top Distance is 2.34mm.  
 P3, P4, P5, P6, Power Contact To The Top Distance is 1.07mm.  
 Solder Tail is 2.80mm.

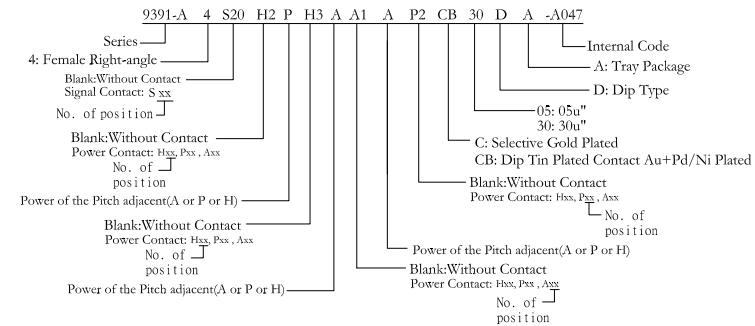


SIGNAL				POWER				ROWS				
5	4	3	2	P8	P7	P6	P5		P4	P3	P2	P1
LLLL	LLLL	LLLL	LLLL	FM	FM	FS	FS	FS	FS	FM	FM	
LLLL	LLLL	LLLL	LLLL									
LLLL	LLLL	LLLL	LLLL									

POWER CONTACT TO THE TOP DISTANCE 2.34mm, THE MATING LENGTH 3.61mm	FM
POWER CONTACT TO THE TOP DISTANCE 1.07mm, THE MATING LENGTH 4.89mm	FS
SIGNAL CONTACT 2.80 SOLDER TAIL, PD/NI	L



-Z-



Tolerances	Dwg. No.	9391-D0000-391
x = ±0.5	Projection	
.x = ±0.25	Unit	mm
.xx = ±0.15	Scale	1:1
	Drawn By	XM 08/19'24

Title:  
 9391 Series  
 Female Right-angle  
 Dip Type

<b>OUPIN</b>			
OUPIN ELECTRONIC(KUNSHAN) CO., LTD.			
P/N: 9391-A4S20H2PH3AA1AP2CB30DA-A047			
SHEET	1/1	Ver. No.	R2