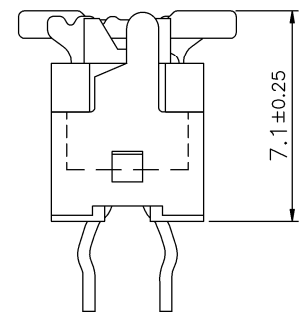
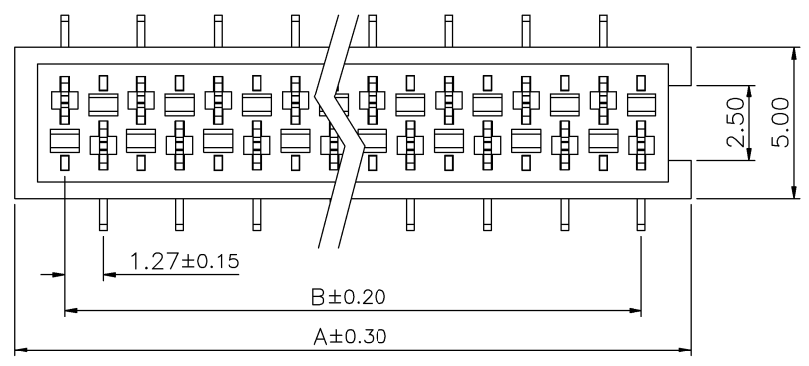
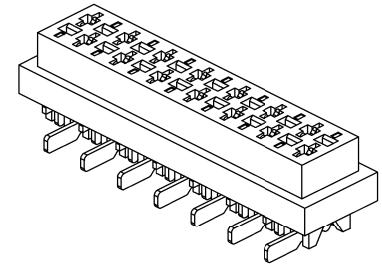
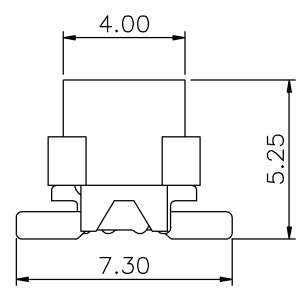
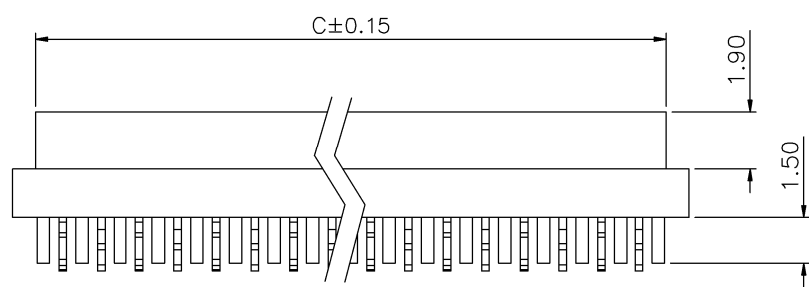


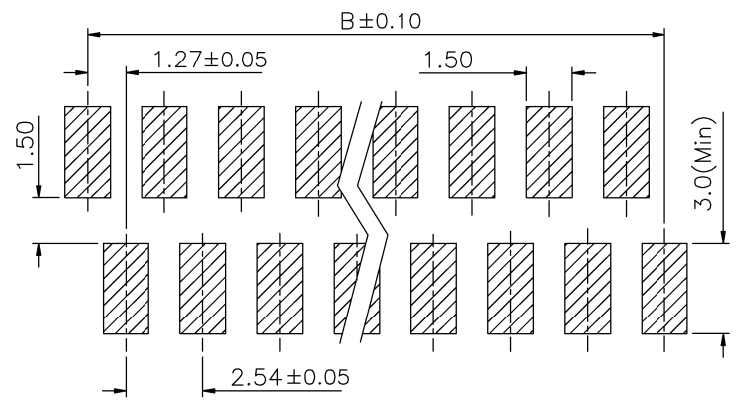
REV.	SPECIFICATION	ECN NO.	APPD.



Material:
Housing: PA9T, UL94V-0, Red.
Contacts: Phosphor Bronze, Matte Tin Plated over Nickel 50u".
Electrical Characteristics:
Current Rating: 1.5 AMP.
Dielectric Withstanding Voltage: AC 500V.
Insulation Resistance: 1000MΩ min.
Contact Resistance: 20mΩ max.
Operating Temperature: -40°C~+105°C.
***RoHS Compliant**



Series: 6022-C
 No. of Positions: xx
 MT: Matte Tin Plated
 D: SMD Type
 R: Red
 U: Tube Package
 T: Tape & Reel Package
 P: With Plastic Pad
 Blank: W/O Plastic Pad



Positions	A	B	C	Positions	A	B	C
04	7.00	3.81	5.60	16	22.24	19.05	20.84
06	9.54	6.35	8.14	18	24.78	21.59	23.38
08	12.08	8.89	10.68	20	27.32	24.13	25.92
10	14.62	11.43	13.22	22	29.86	26.67	28.46
12	17.16	13.97	15.76	24	32.40	29.21	31.00
14	19.70	16.51	18.30	26	34.94	31.75	33.54

Tolerances .x = ±0.2 .xx = ±0.15	Dwg. No.	S2620221118-01		Title: 6022-C Series Micro-Match Miniature 2.54mm SMD Type			 OUPIN ELECTRONIC(KUNSHAN) CO., LTD. P/N: 6022-CxxMTDRU-P		
	Projection								
	Unit	mm	Scale	1:N	SHEET	1/1	Ver.No.	X1	
Drawn By	Martin 11/18'22			① 738					

P.C.B Layout