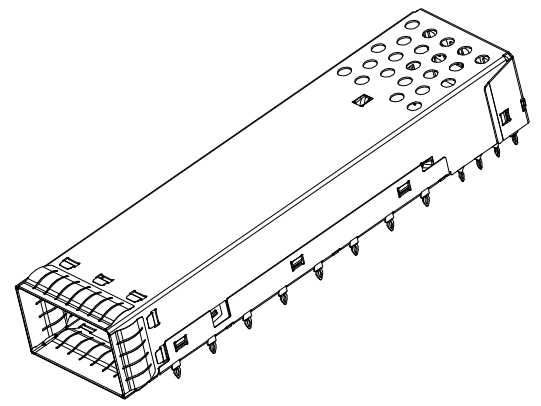
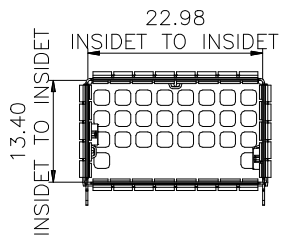
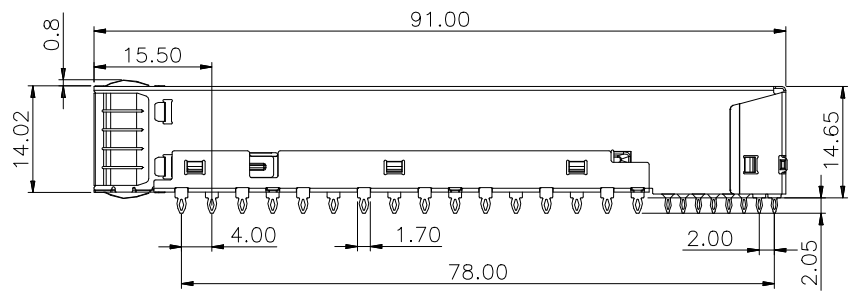
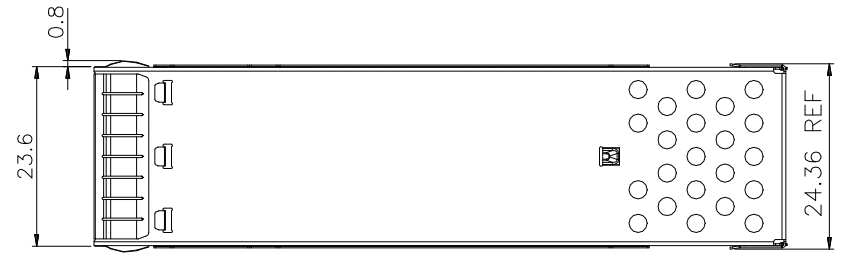


REV.	SPECIFICATION	ECN NO.	APPD.

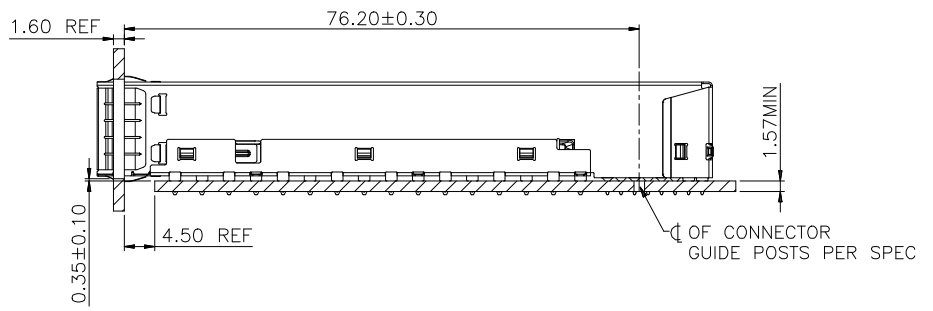
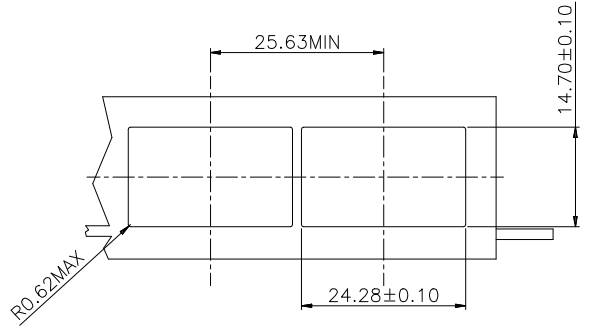
**Material:**  
 Cage: Stainless Steel.  
 EMI Spring: Stainless Steel.  
**\*RoHS Compliant**



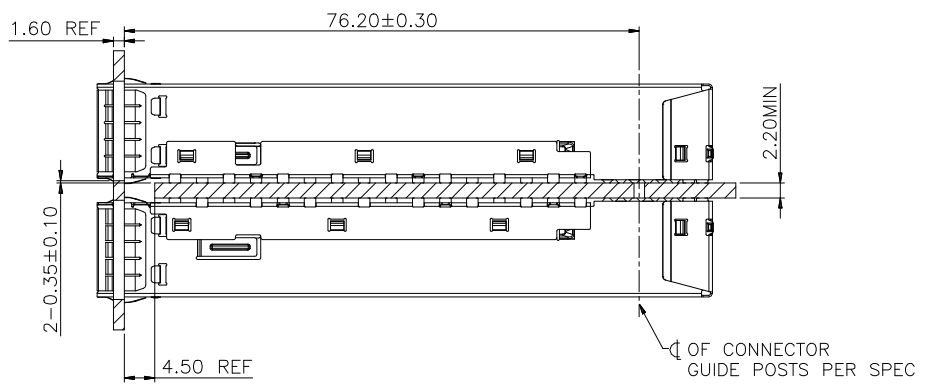
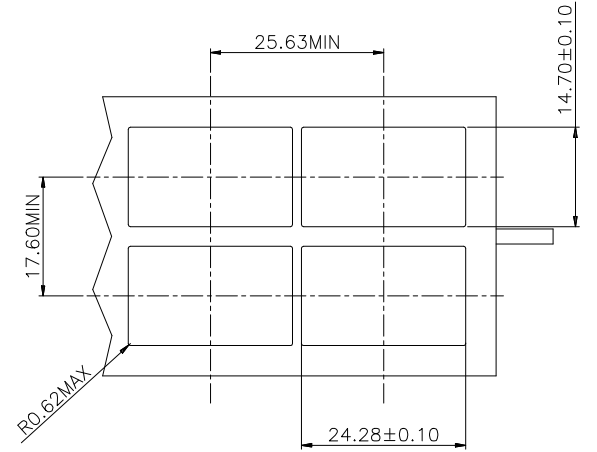
8980-A 1 P P 0 A  
 Series ——— A:Tray Package  
 1:1 Port ——— 0:Without Light Pipe  
 P:Press Fit ——— P: Spring Plus

<b>Tolerances</b> .x = ±0.35 .xx = ±0.25 .xxx = ±0.15	Dwg. No.	S6520241011-02		Title:	8980-A Series			
	Projection						OSFP 1X1 Cage Press Fit Type	OUPIIN ELECTRONIC(KUNSHAN) CO., LTD. P/N: 8980-A1PPOA
	Unit	mm	Scale	1:N	SHEET	1/3		
	Drawn By	Martin 10/11'24		①665				


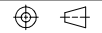
REV.	SPECIFICATION	ECN NO.	APPD.



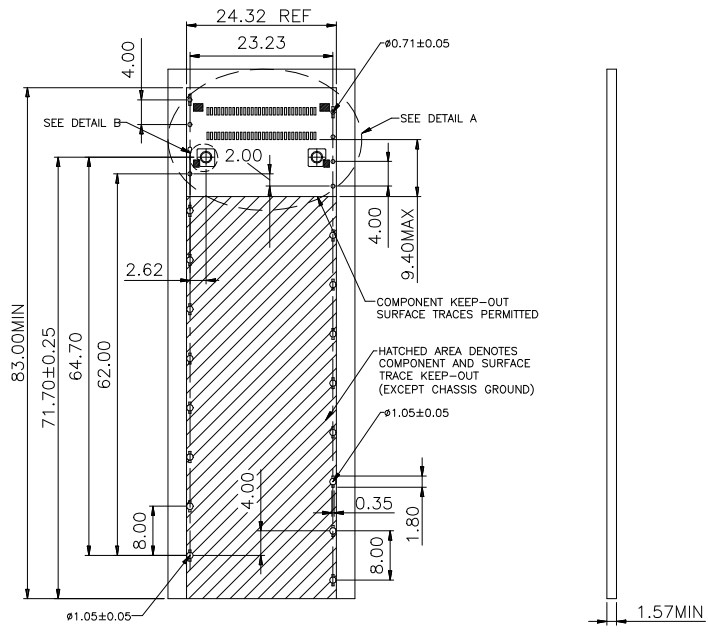
BEZEL AND BOARD POSITION DIMENSION FOR SINGLE SIDE MOUNTING



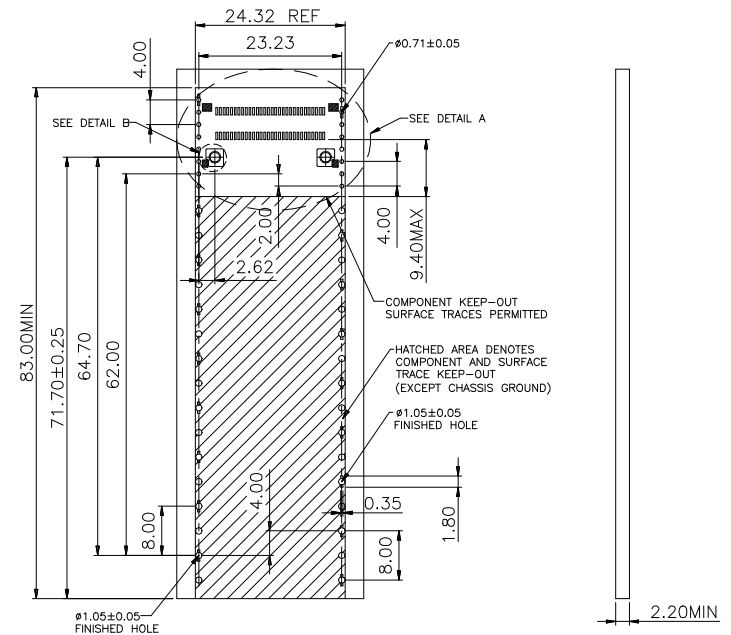
BEZEL AND BOARD POSITION DIMENSION FOR BELLY TO BELLY MOUNTING

<b>Tolerances</b> .x = ±0.35 .xx = ±0.25 .xxx = ±0.15	<b>Dwg. No.</b>	S6520241011-02		<b>Title:</b> 8980-A Series OSFP 1X1 Cage Press Fit Type with Spring Plus 665	 <b>OUPIIN ELECTRONIC(KUNSHAN) CO., LTD.</b> P/N: 8980-A1PPOA	
	<b>Projection</b>					
	<b>Unit</b>	mm	<b>Scale</b>			1:N
	<b>Drawn By</b>	Martin 10/11'24				
<b>SHEET</b>		2/3	<b>Ver.No.</b>	X1		

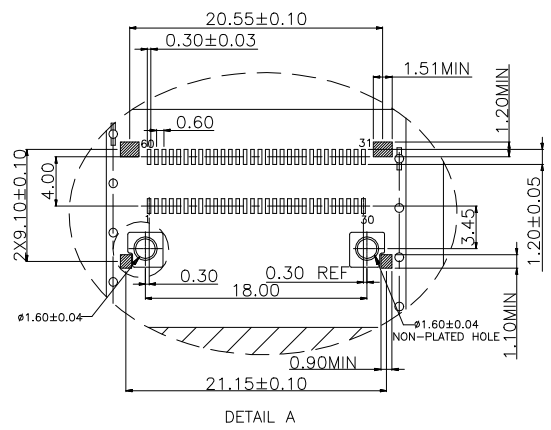
REV.	SPECIFICATION	ECN NO.	APPD.



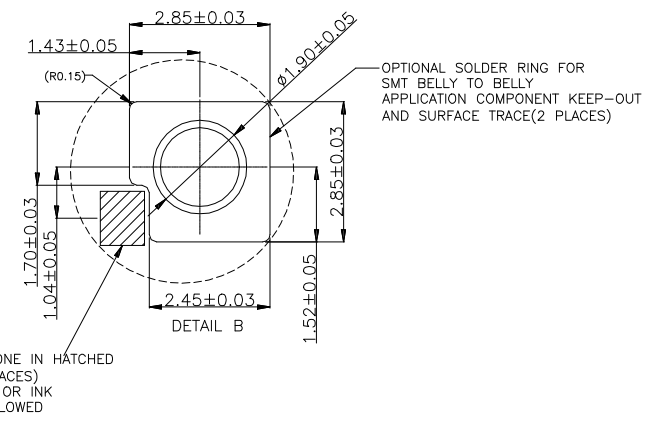
PRCOMMENDED PCB LAYOUT(SINGLE SIDED APPLICATIONS)  
PCB TOLERANCE ±0.05



PRCOMMENDED PCB LAYOUT(BELLY TO BELLY APPLICATIONS)  
PCB TOLERANCE ±0.05



DETAIL A



KEEPOUT ZONE IN HATCHED AREAS(4 PLACES)  
NO TRACES OR INK MARKING ALLOWED

<b>Tolerances</b> .x = ±0.35 .xx = ±0.25 .xxx = ±0.15	Dwg. No. S6520241011-02		Title: 8980-A Series		 OUPIIN ELECTRONIC(KUNSHAN) CO., LTD. P/N: 8980-A1PPOA	
	Projection					OSFP 1X1 Cage Press Fit Type with Spring Plus ①665
	Unit	mm	Scale	1:N		
	Drawn By	Martin	Date	10/11'24		
		SHEET	3/3	Ver.No.	X1	