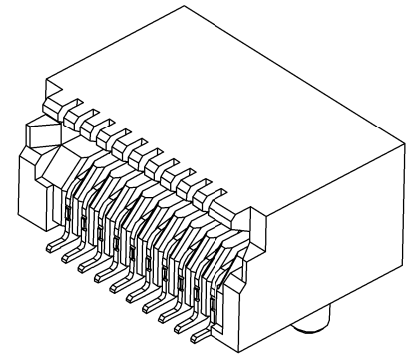
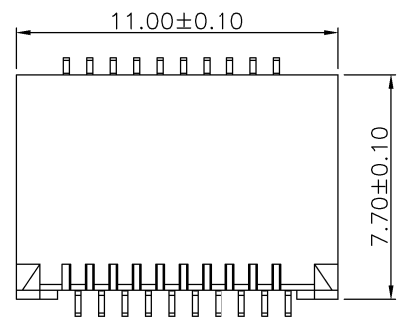
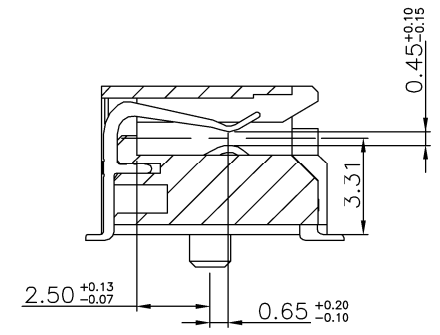
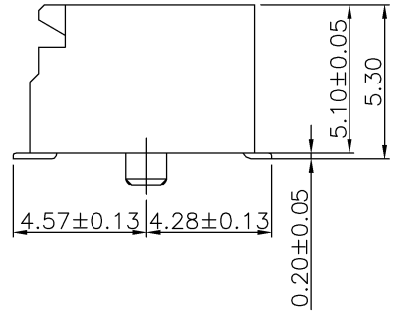
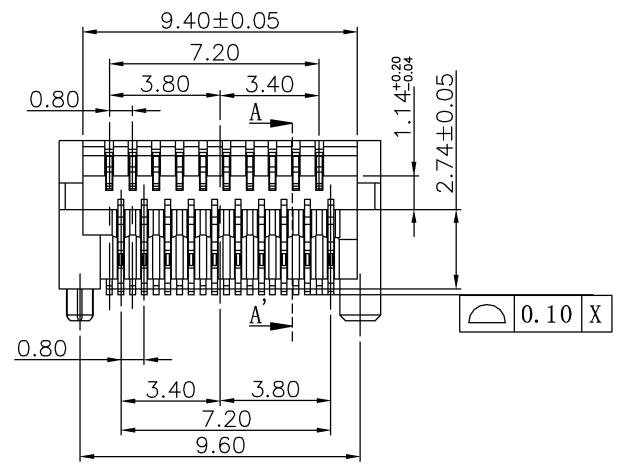


REV.	SPECIFICATION	ECN NO.	APPD.

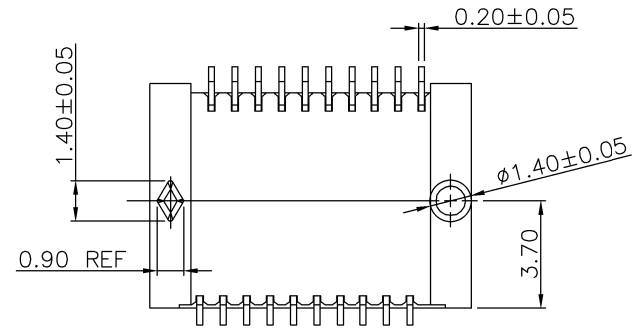


Material:
Housing: LCP, UL94V-0, Black.
Contacts: Phosphor Bronze, Gold Plated on Contact Area and Matte Tin Plated on solder tail over Nickel.

Electrical Characteristics:
Current Rating: 0.5 AMP.
Dielectric Withstanding Voltage: AC 300V.
Insulation Resistance: 1000MΩ min.
Contact Resistance: 30mΩ max.
Operating Temperature: -40°C~+85°C.
***RoHS Compliant**



DETAIL A-A'
SCALE 4:1

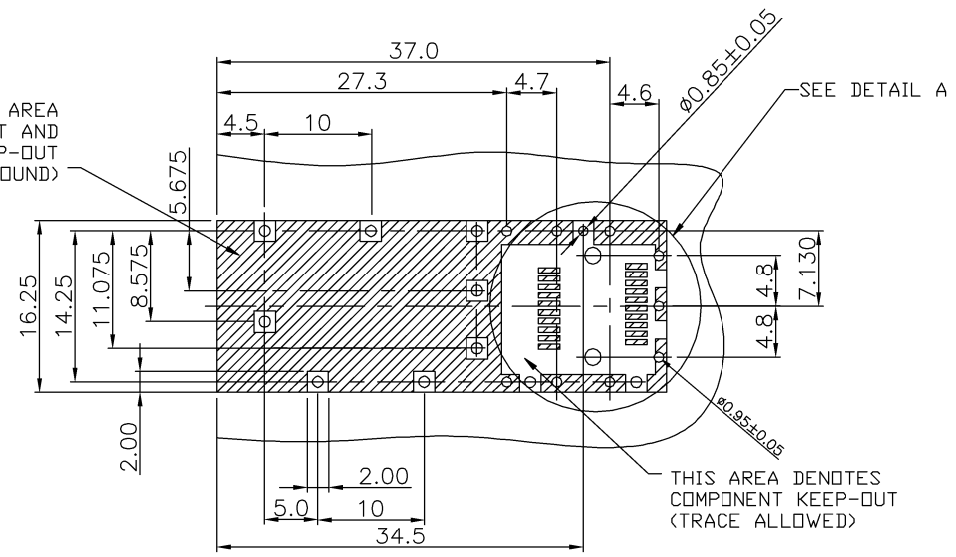


8950-E 20 C 15 D P T
Series Positions C: Selective Gold Plated D: SMD Type P: With Post T: Tape & Reel Package
15: 15u"
30: 30u"

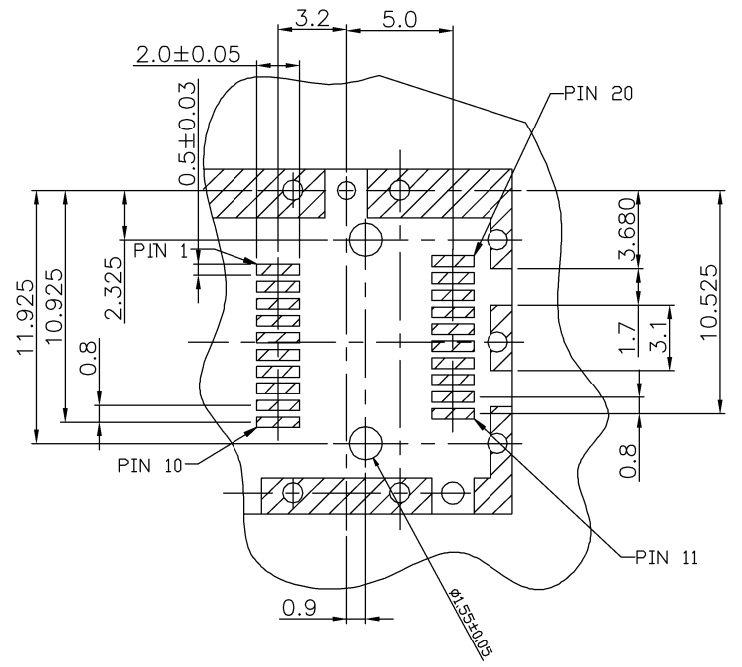
Tolerances	Dwg. No.	8950D02002	Title:		 DUPIN ELECTRONIC(KUNSHAN) CO., LTD. P/N: 8950-E20C15DPT
x = ±0.25	Projection		8950-E Series		
.x = ±0.20	Unit	mm	Scale	1:N	
.xx = ±0.10	Drawn By	Martin 11/05'21	SFP+ Connector		
.xxx = ±0.05			① 619	SHEET	1/2
				Ver.No.	A1

REV.	SPECIFICATION	ECN NO.	APPD.


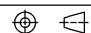
CROSS-HATCHED AREA
DENOTES COMPONENT AND
TRACE KEEP-OUT
(EXCEPT CHASSIS GROUND)



PCB LAYOUT THICKNESS=3.0mm (TOP VIEW)



DETAIL A
SCALE 2:1

Tolerances	Dwg. No.	8950D02002	Title:		 DUPIN ELECTRONIC(KUNSHAN) CO., LTD. P/N: 8950-E20C15DPT
x = ±0.25	Projection		8950-E Series		
.x = ±0.20	Unit	mm	Scale	1:N	
.xx = ±0.10	Drawn By	Martin 11/05'21	SFP+ Connector		
.xxx = ±0.05			① 619	SHEET	2/2
				Ver.No.	A1