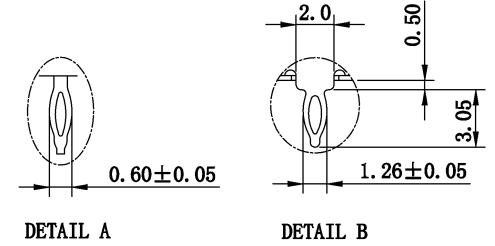
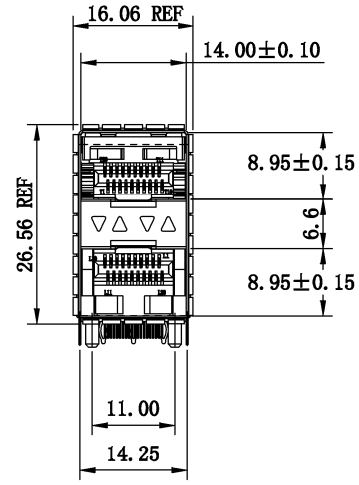
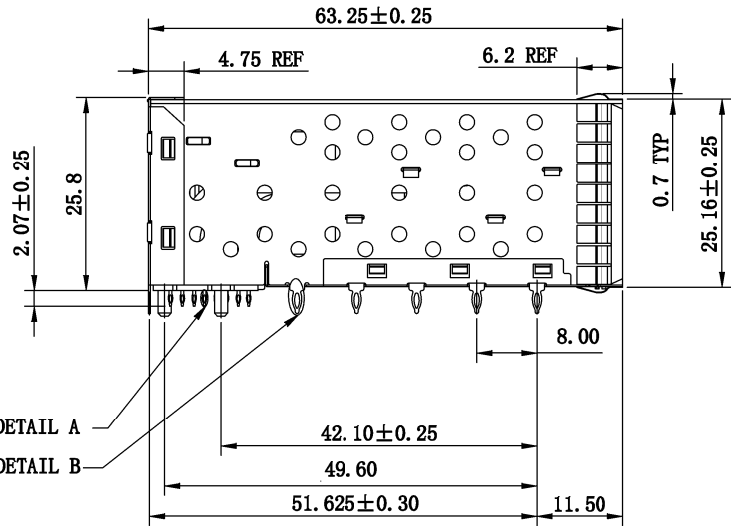
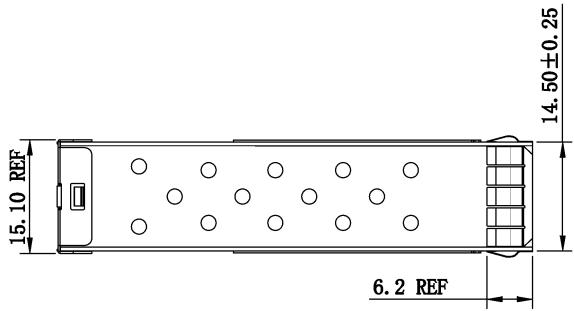


REV.	SPECIFICATION	ECN NO.	APPD.

Material:
Connector Housing:LCP, UL94V-0, Black.
Contacts: Phosphor Bronze, Gold Plated on Contact Area and 100u"Matte Tin Plated on Solder Tail over 50u"Nickel.
Moulded Insert: High Temperature Plastic, UL94V-0, Black.
Cage: Copper Alloy, 30u"Nickel Plated.
Light Pipes: Polycarbonate, UL94V-0, Clear.
Ligh Pipes Housing: PBT, UL94V-0, Black.
EMI Spring: Copper Alloy.
Electrical Characteristics:
Current Rating: 0.5 AMP.
Dielectric Withstanding Voltage: AC 300V .
Insulation Resistance: 1000MΩ min..
Contact Resistance: 10mΩ max.
Operating Temperature: -40°C~+85°C.
***RoHS Compliant**



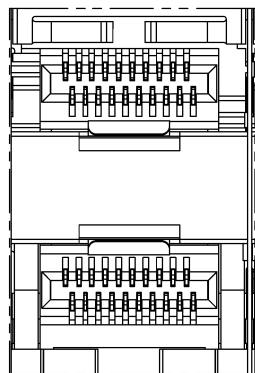
SEE DETAIL A
 SEE DETAIL B

8952-E 2X1 C 30 P P x A
 Series ——— A:Tray Package
 2X1 Port ——— 0:Without Light Pipes
 C: Selective Gold Plated ——— 1:With Inner Light Pipes
 30:30u" ——— 2:With Outer Light Pipes
 15:15u" ——— 3:With Inner & Outer Light Pipes
 P: Spring Plus
 P: Press Fit

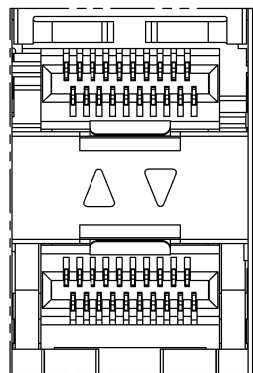
Tolerances	Dwg No.	8952D00020		Title:	8952-E Series				
.x = ±0.25	Projection	⊕ ⊖			SFP+ 2X1 Cage				
.xx = ±0.13	Unit	mm	Scale	1:N	Press Fit Type With Connector				
.xxx = ±0.10	Drawn By	Martin 10/17'22		① 619	SHEET		1/5	Ver.No.	A1



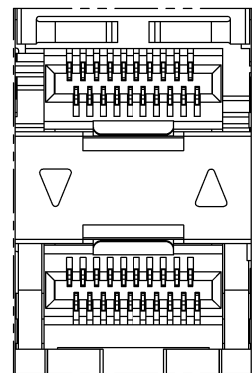
REV.	SPECIFICATION	ECN NO.	APPD.



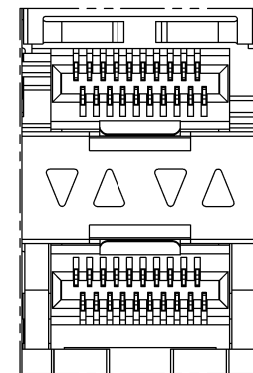
Without Light Pipes




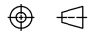
With Inner Light Pipes



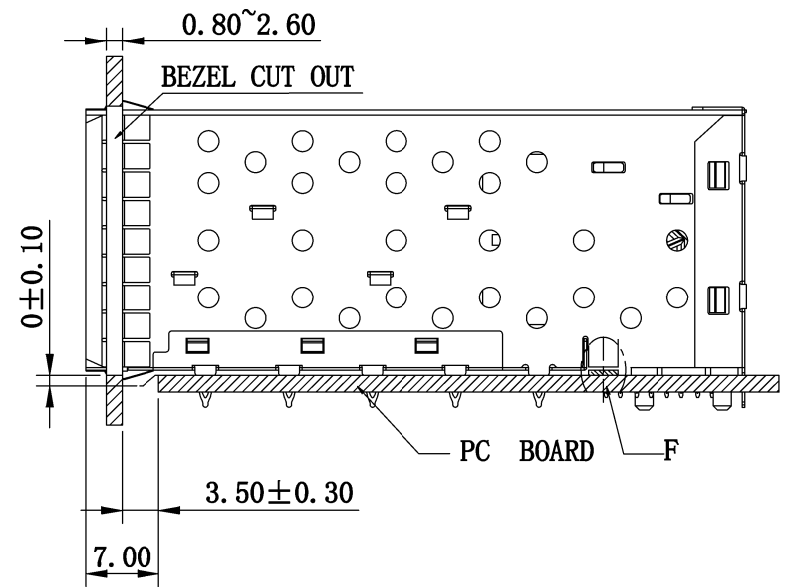
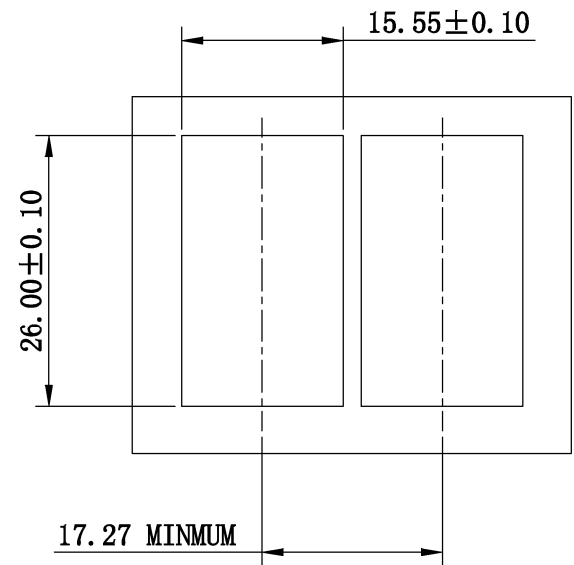
With Outer Light Pipes



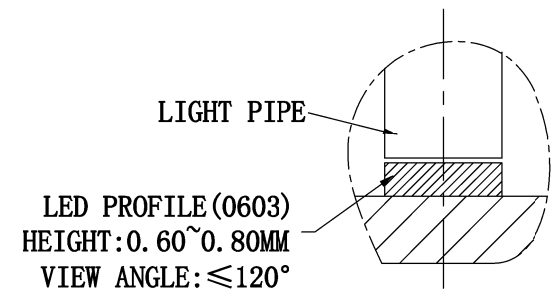
With Inner & Outer Light Pipes

Tolerances .x = ±0.25 .xx = ±0.13 .xxx = ±0.10	Dwg No.	8952D00020		Title:	8952-E Series SFP+ 2X1 Cage Press Fit Type With Connector ⓪ 619	 OUPIN ELECTRONIC(KUNSHAN) CO., LTD. P/N: 8952-E2X1C30PPxA			
	Projection								
	Unit	mm	Scale	1:N	SHEET	2/5	Ver.No.	A1	
	Drawn By	Martin 10/17'22							


REV.	SPECIFICATION	ECN NO.	APPD.



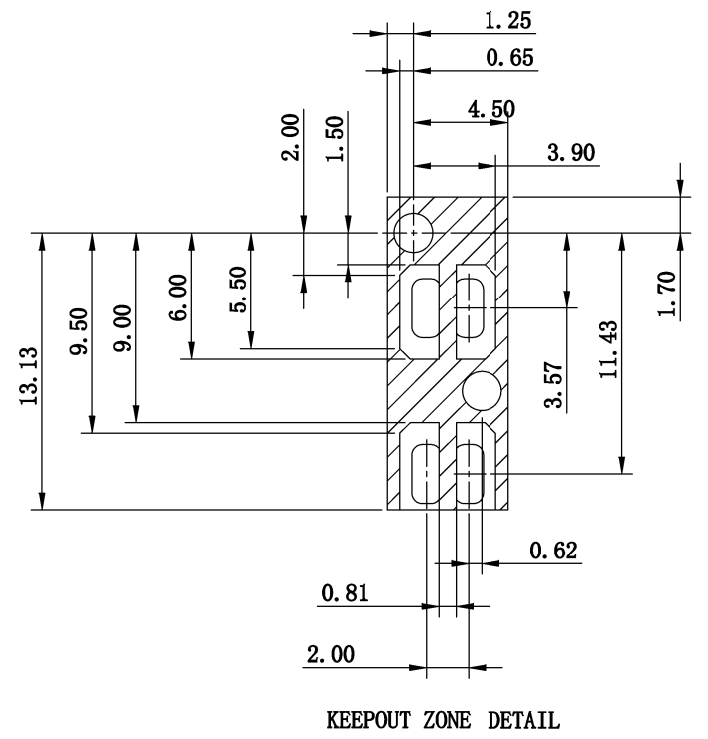
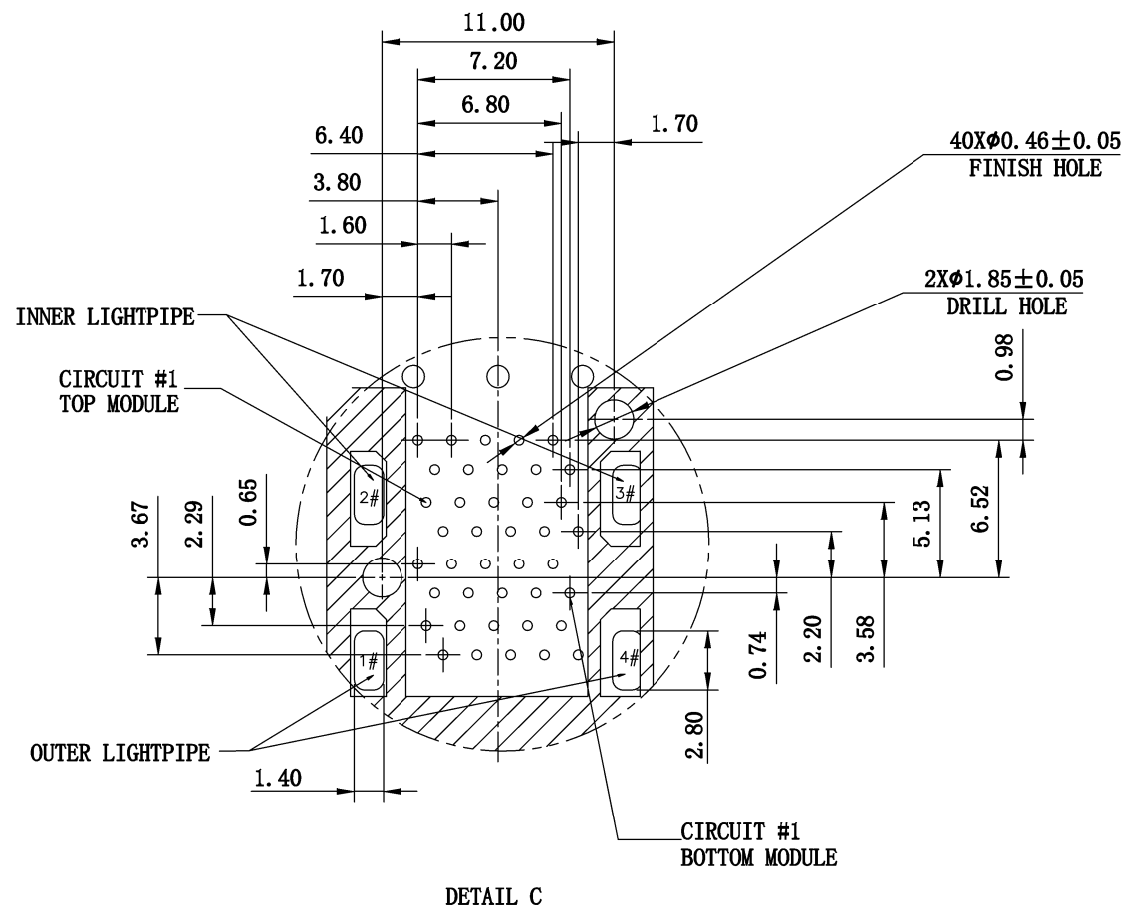
BEZEL CUT-OUT CENTER SPACING DETAIL
 BZZEL THICKNESS:0.8-2.6



DETAILI F

Tolerances	Dwg No.	8952D00020		Title:	8952-E Series			
.x = ±0.25	Projection	⊕ ↗			SFP+ 2X1 Cage			
.xx = ±0.13	Unit	mm	Scale	1:N	Press Fit Type With Connector			
.xxx = ±0.10	Drawn By	Martin 10/17'22		① 619	 OUPIIN ELECTRONIC(KUNSHAN) CO., LTD. P/N: 8952-E2X1C30PPxA			
					SHEET	3/5	Ver.No.	A1

REV.	SPECIFICATION	ECN NO.	APPD.

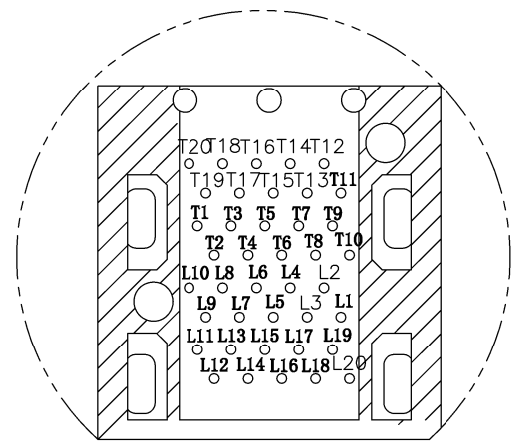
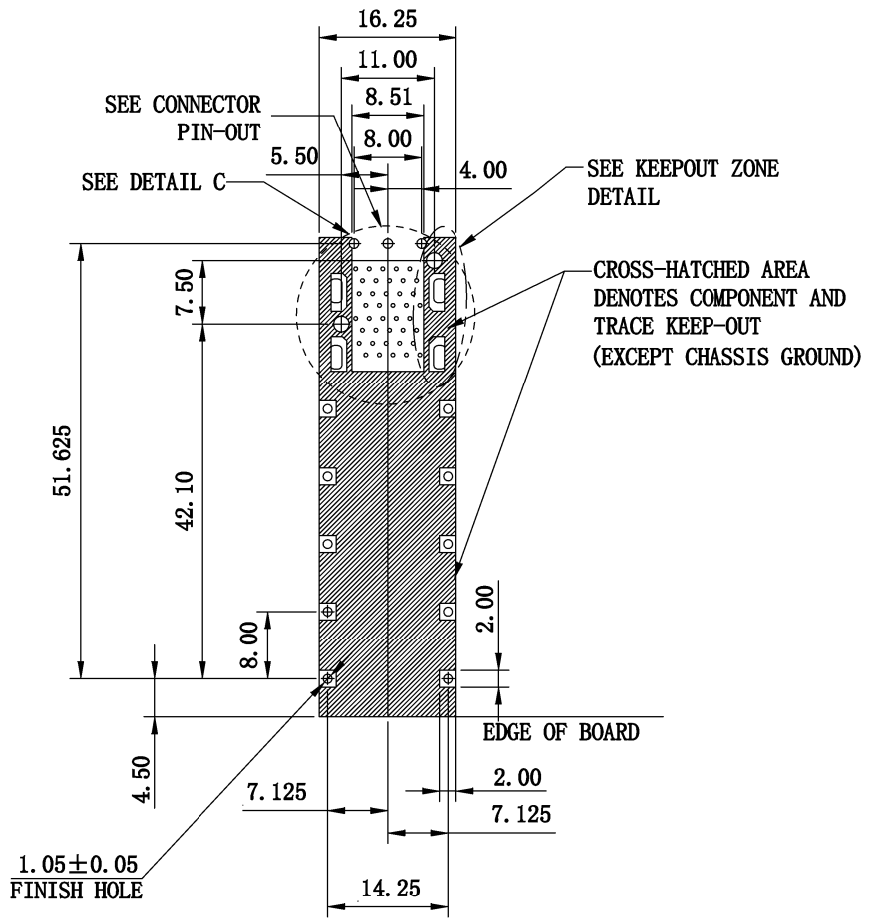


Tolerances	Dwg No.	8952D00020		Title:	8952-E Series				
.x = ±0.25	Projection				SFP+ 2X1 Cage				
.xx = ±0.13	Unit	mm	Scale	1:N	Press Fit Type With Connector				
.xxx = ±0.10	Drawn By	Martin 10/17'22		① 619	SHEET		4/5	Ver.No.	A1

OUPIIN ELECTRONIC(KUNSHAN) CO., LTD.

 P/N: 8952-E2X1C30PPxA

REV.	SPECIFICATION	ECN NO.	APPD.
------	---------------	---------	-------



CONNECTOR PIN-OUT
COMPONENT SIDE OF BOARD

RECOMMENDED PCB LAYOUT-COMPONENT SIDE
RECOMMENDED PCB THICKNESS-2.63MM

THE ENTIRE AREA OF THE CONNECTOR FOOTPRINT
TO BE CONSIDERED THE KEEP OUT AREA FOR COMPONENTS
(OTHER THAN LIGHT PIPE LED'S)
THIS AREA IS INDICATED BY THE DASHED LINE

Tolerances	Dwg No.	8952D00020		Title:	8952-E Series SFP+ 2X1 Cage Press Fit Type With Connector ①619	 OUPIN ELECTRONIC(KUNSHAN) CO., LTD. P/N: 8952-E2X1C30PPxA			
.x = ±0.25	Projection								
.xx = ±0.13	Unit	mm	Scale	1:N					
.xxx = ±0.10	Drawn By	Martin 10/17'22				SHEET	5/5	Ver.No.	A1