

REV.	SPECIFICATION	ECN NO.	APPD.

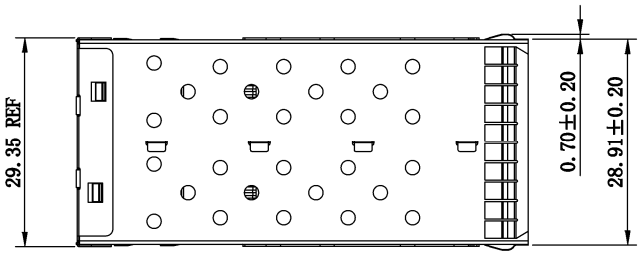
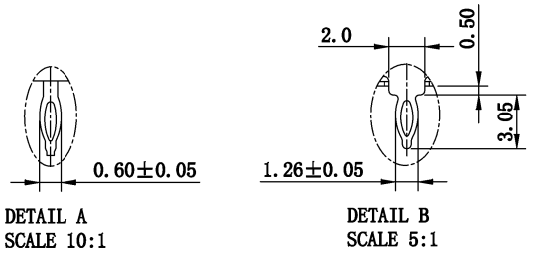
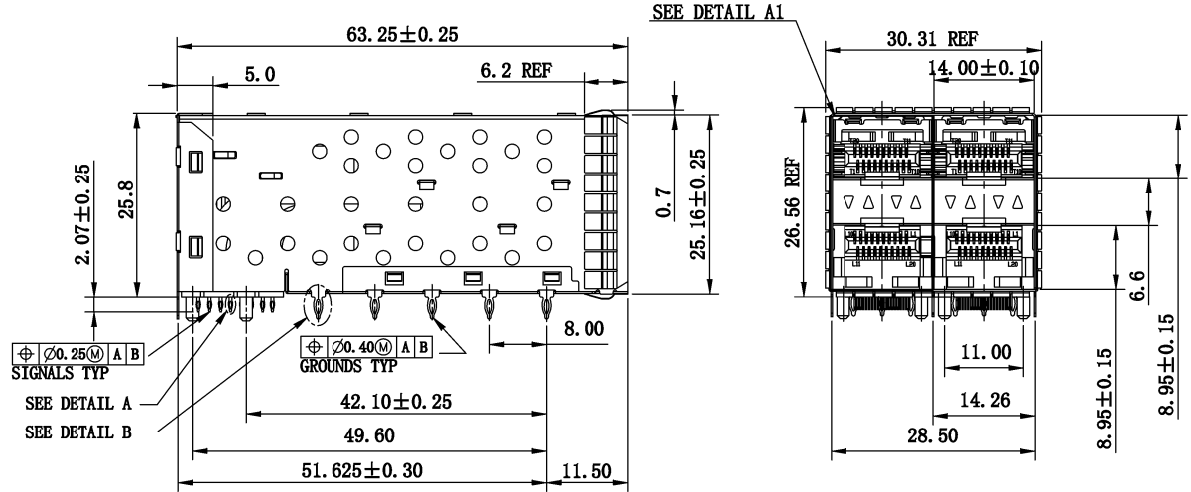
**Material:**

Housing: LCP, UL94V-0,Black.  
 Moulded Insert: High Temperature Plastic, UL94V-0, Black.  
 Contact: Phosphor Bronze,Gold Plated on Contact Area and 100u" Matte Tin Plated on Solder tail over 50u" Nickel.  
 Cage: Copper Alloy, 30u" Nickel Plated.  
 Light Pipe: Polycarbonate, UL94V-0, Clear.  
 Light Pipe Housing: PBT, UL94V-0, Black.  
 EMI Spring: Copper Alloy.

**Electrical Characteristics:**

Current Rating: 0.5 AMP.  
 Dielectric Withstanding Voltage: AC 300V.  
 Insulation Resistance: 1000MΩ min.  
 Contact Resistance: 10mΩ max.  
 Operating Temperature: -40°C~+85°C.

**\*RoHS Compliant**



8952-E 2X2 C xx P P x A  
 Series ———  
 2X2 Ports ———  
 C: Selective Gold Plated ———  
 15:15u" ———  
 30:30u" ———  
 A: Tray Package  
 0: Without Light Pipes  
 1: With Inner Light Pipes  
 2: With Outer Light Pipes  
 3: With Inner & Outer Light Pipes  
 P: Spring Plus  
 P: Press Fit

Tolerances	Dwg. No.	S3220210922-01	Title:		 DUPIN ELECTRONIC(KUNSHAN) CO., LTD. P/N: 8952-E2X2CxxPPxA SHEET 1/5 Ver.No. X2
.x = ±0.25	Projection		8952-E Series		
.xx = ±0.13	Unit	mm	Scale	1:N	
.xxx = ±0.10	Drawn By	Martin 12/29"21	SFP+ 2X2 Cage Press Fit Type With Connector		
			① 619		

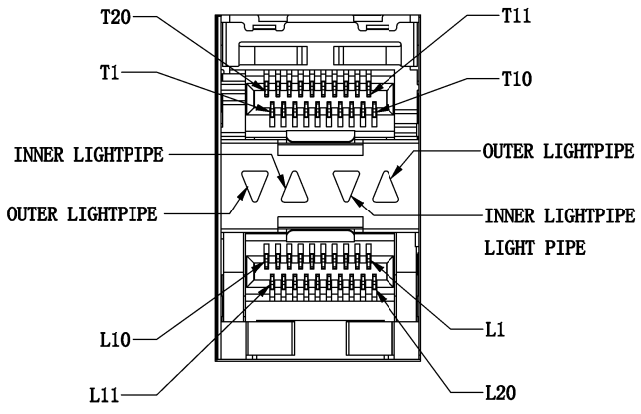
REV.	SPECIFICATION	ECN NO.	APPD.

1 2 3 4 5 6 7 8 9

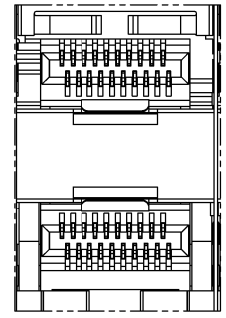
10 11 12

A  
B  
C  
D  
E  
F  
G  
H

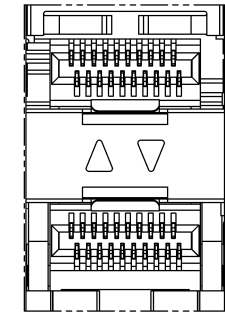
A  
B  
C  
D  
E  
F  
G  
H



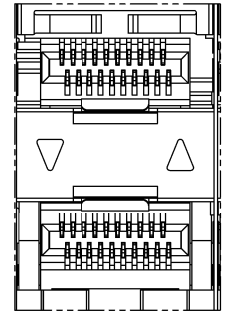
DETAIL A1  
SCALE 4:1



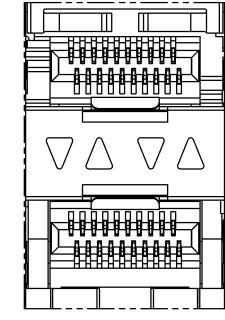
Without Light Pipes



With Inner Light Pipes



With Outer Light Pipes



With Inner & Outer Light Pipes

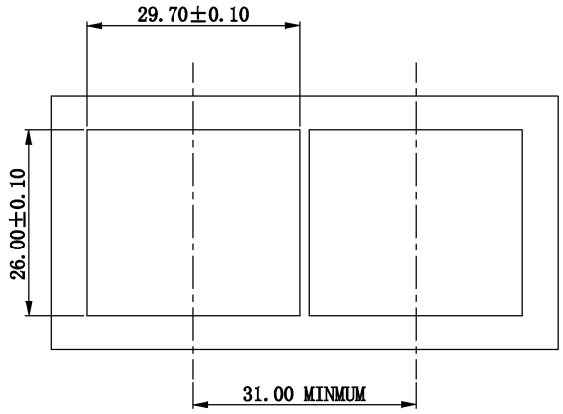
Tolerances	Dwg. No.	S3220210922-01		
.x = ±0.25	Projection			
.xx = ±0.13	Unit	mm	Scale	1:N
.xxx = ±0.10	Drawn By	Martin 12/29'21		

Title:  
8952-E Series  
SFP+ 2X2 Cage  
Press Fit Type With Connector  
①619

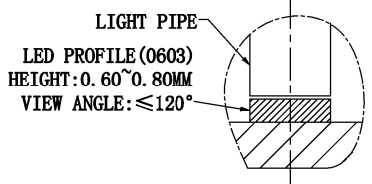
<b>OUPIIN</b>			
OUPIIN ELECTRONIC(KUNSHAN) CO., LTD.			
P/N: 8952-E2X2CxxPPxA			
SHEET	2/5	Ver.No.	X2

1 2 3 4 5 6 7 8 9 10 11 12

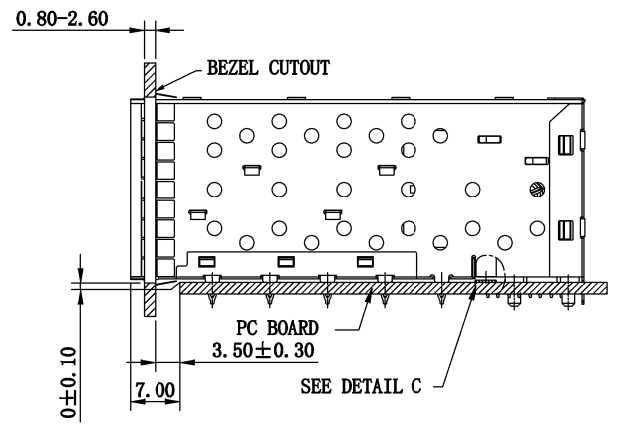
REV.	SPECIFICATION	ECN NO.	APPD.



BEZEL CUT-OUT CENTER SPACING DETAIL  
BEZEL THICKNESS: 0.8-2.6



DETAIL C  
SCALE 4:1

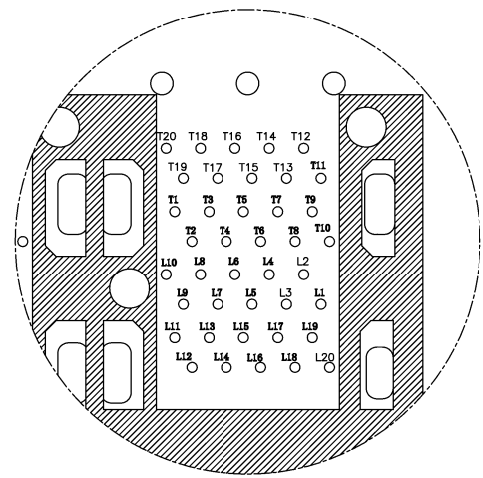
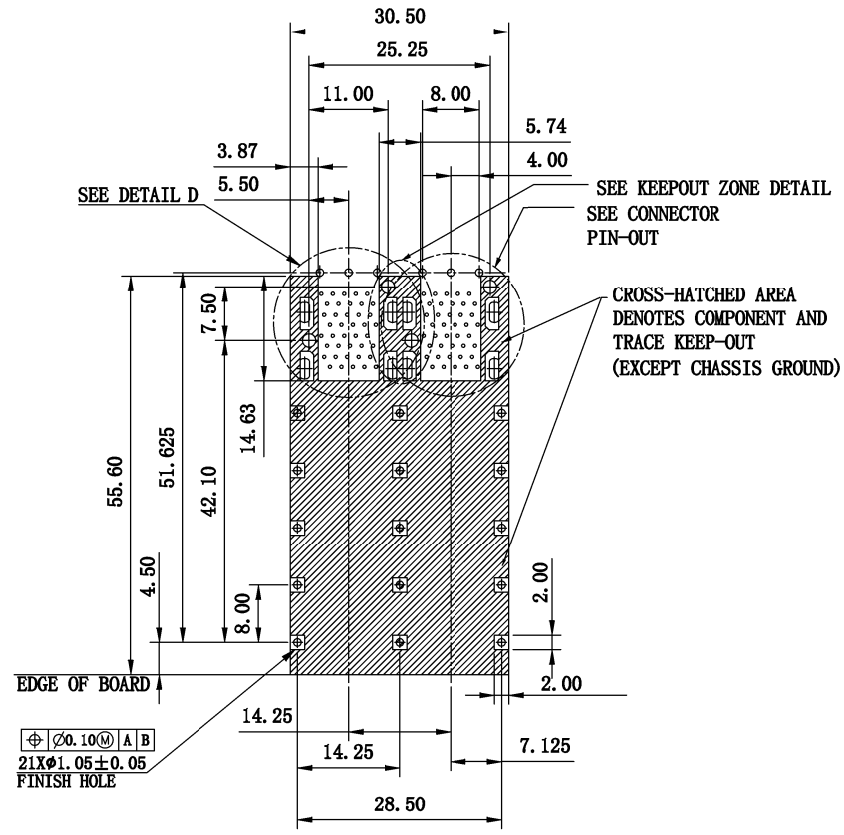


Tolerances	Dwg. No.	S3220210922-01		
.x = ±0.25	Projection			
.xx = ±0.13	Unit	mm	Scale	1:N
.xxx = ±0.10	Drawn By	Martin 12/29'21		

Title: 8952-E Series  
SFP+ 2X2 Cage  
Press Fit Type With Connector  
①619

OUPIN ELECTRONIC(KUNSHAN) CO., LTD.			
P/N: 8952-E2X2CxxPPxA			
SHEET	3/5	Ver.No.	X2


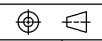
REV.	SPECIFICATION	ECN NO.	APPD.



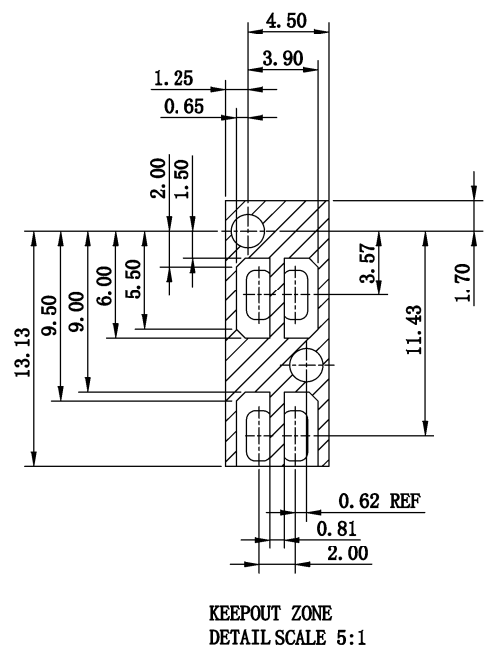
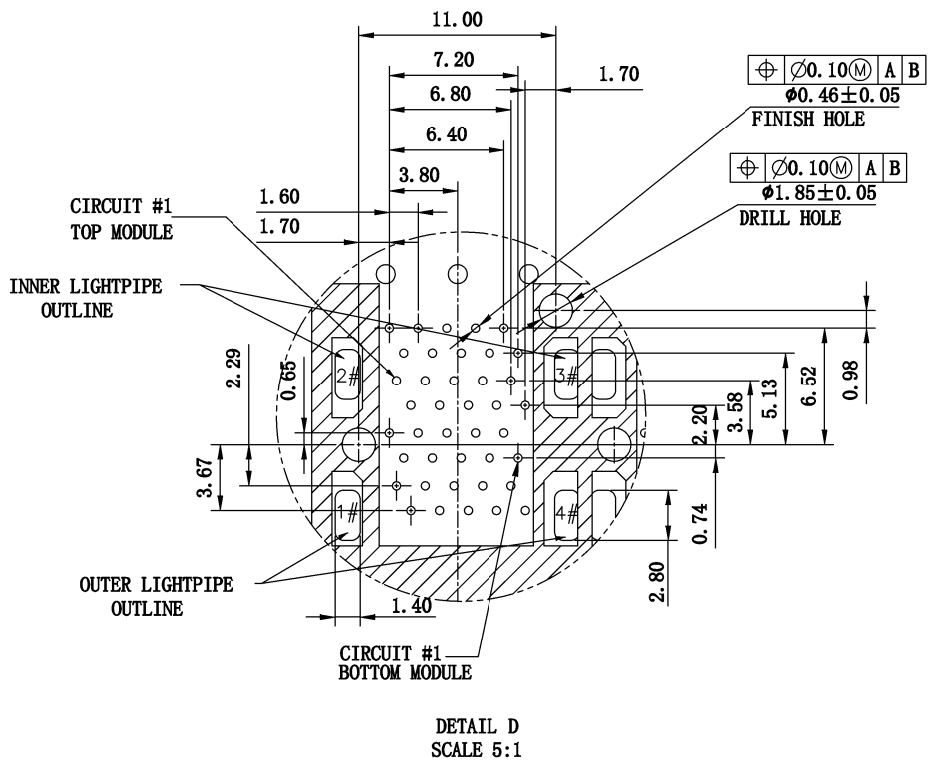
CONNECTOR PIN-OUT  
COMPONENT SIDE OF BOARD

RECOMMENDED PCB LAYOUT—COMPONENT SIDE  
RECOMMENDED PCB THICKNESS—2.63 MM

THE ENTIRE AREA OF THE CONNECTOR FOOTPRINT  
TO BE CONSIDERED THE KEEP OUT AREA FOR COMPONENTS  
(OTHER THAN LIGHT PIPE LED'S)  
THIS AREA IS INDICATED BY THE DASHED LINE

Tolerances	Dwg. No.	S3220210922-01		Title:		 <b>OUPIIN ELECTRONIC(KUNSHAN) CO., LTD.</b> P/N:8952-E2X2CxxPPxA
.x = ±0.25	Projection			8952-E Series		
.xx = ±0.13	Unit	mm	Scale	SFP+ 2X2 Cage		
.xxx = ±0.10	Drawn By	Martin 12/29"21		Press Fit Type With Connector		
				①619	SHEET	
					4/5	Ver.No.
						X2

REV.	SPECIFICATION	ECN NO.	APPD.



Tolerances	Dwg. No.	S3220210922-01
.x = ±0.25	Projection	
.xx = ±0.13	Unit	mm
.xxx = ±0.10	Scale	1:N
	Drawn By	Martin 12/29"21

Title: 8952-E Series  
 SFP+ 2X2 Cage  
 Press Fit Type With Connector  
 ①619

OUPIN ELECTRONIC(KUNSHAN) CO., LTD.			
P/N: 8952-E2X2CxxPPxA			
SHEET	5/5	Ver.No.	X2