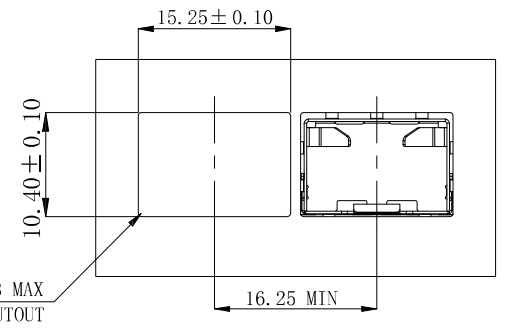
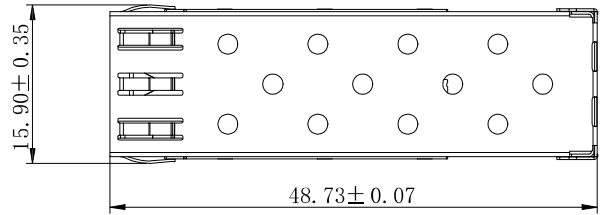
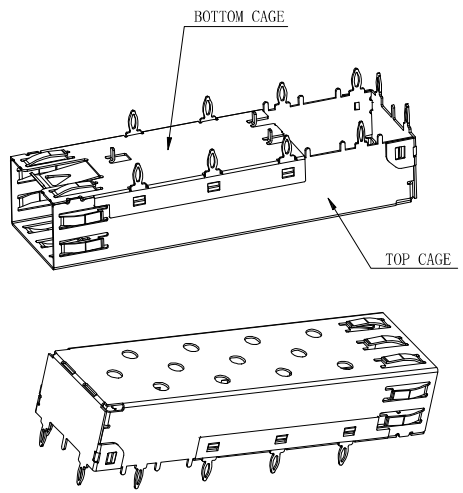


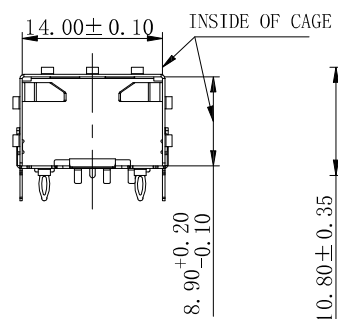
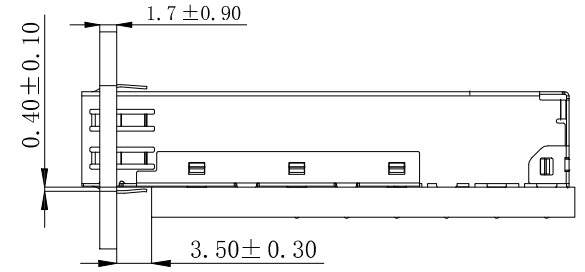
REV.	SPECIFICATION	ECN NO.	APPD.

**Material:**  
 Cage: Copper Alloy.  
 Light Pipe: PC, Clear.  
**Electrical Characteristics:**  
 Operating Temperature: -40°C~+85°C.  
**\*RoHS Compliant**

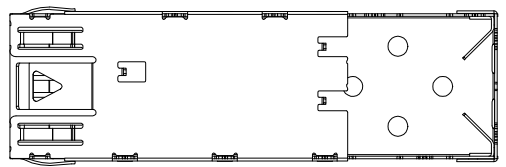
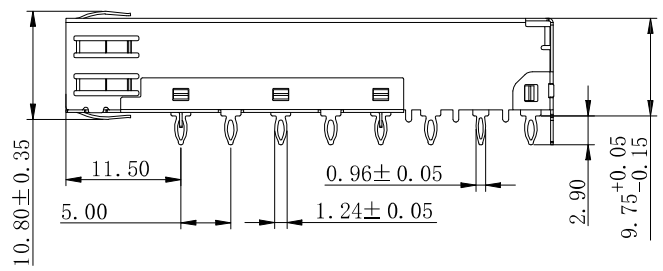
Without Light Pipe



4X0.3 MAX  
EACH CUTOUT



INSIDE OF CAGE



8951-E 1 P S x A  
 Series ———  
 1:1 Port ———  
 P:Press Fit ———  
 S:Spring ———  
 A:Tray Package  
 0:Without Light Pipe  
 1:With Light Pipe

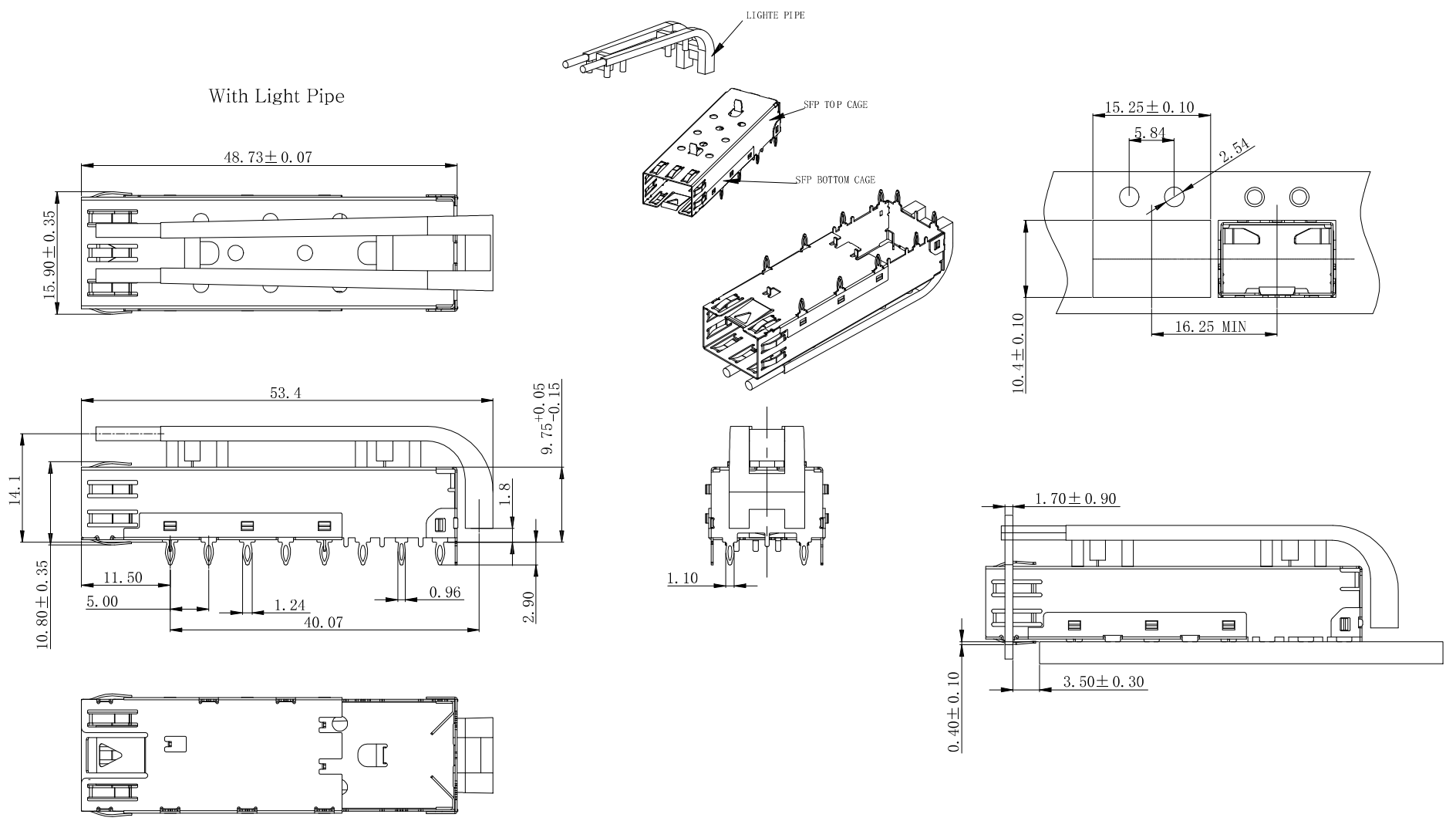
Tolerances	Dwg No.	8951D00018	
.x = ±0.25	Projection	⊕	↙
.xx = ±0.13	Unit	mm	Scale 1:N
.xxx = ±0.10	Drawn By	Martin 12/01'22	


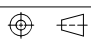
Title: 8951-E Series  
 1X1 SFP Cage  
 Press Fit Type With Spring  
 619

<b>OUPIN</b>			
OUPIN ELECTRONIC(KUNSHAN) CO., LTD.			
P/N: 8951-E1PSxA			
SHEET	1/3	Ver.No.	A1

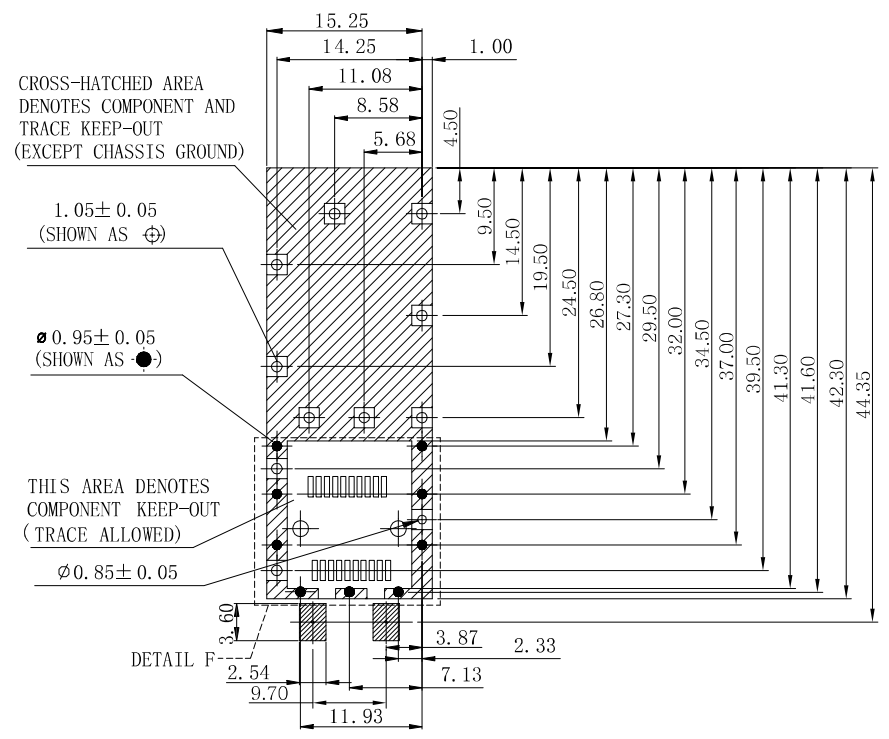
REV.	SPECIFICATION	ECN NO.	APPD.

With Light Pipe

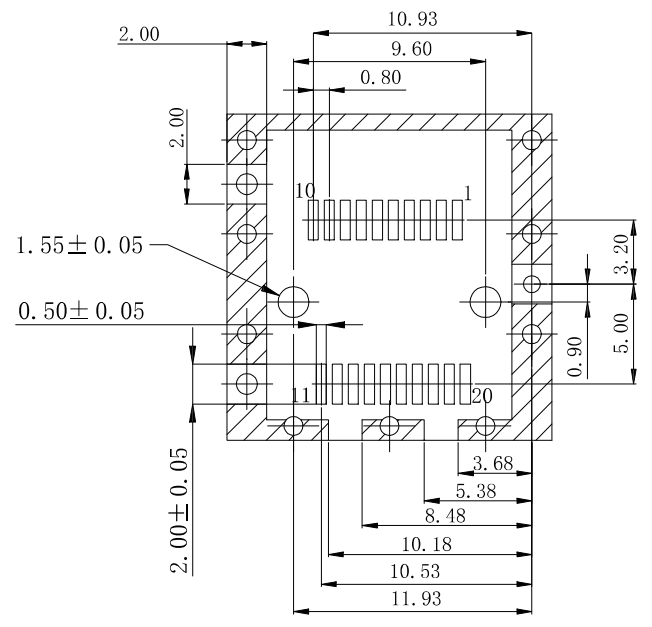


Tolerances	Dwg No.	8951D00018	Title:	8951-E Series	 OUPIIN ELECTRONIC(KUNSHAN) CO., LTD. P/N: 8951-E1PSxA
.x = $\pm 0.25$	Projection		1X1 SFP Cage		
.xx = $\pm 0.13$	Unit	mm	Scale	1:N	
.xxx = $\pm 0.10$	Drawn By	Martin 12/01'22	Press Fit Type With Spring		
			① 619	SHEET	2/3
				Ver.No.	A1

REV.	SPECIFICATION	ECN NO.	APPD.



PCB LAYOUT  
 PCB TOLERANCES: +/-0.05  
 PCB THICKNESS: 3.00 MM



DETAIL F

Tolerances	Dwg No.	8951D00018		Title: 8951-E Series 1X1 SFP Cage Press Fit Type With Spring ① 619	 OUPIIN ELECTRONIC(KUNSHAN) CO., LTD. P/N: 8951-E1PSxA			
.x = ±0.25	Projection							
.xx = ±0.13	Unit	mm	Scale			1:N		
.xxx = ±0.10	Drawn By	Martin 12/01'22						
					SHEET	3/3	Ver.No.	A1