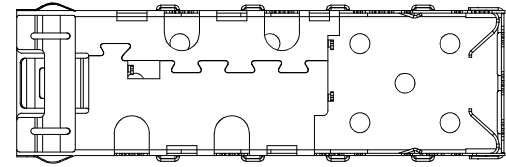
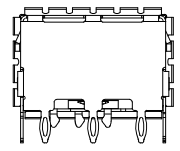
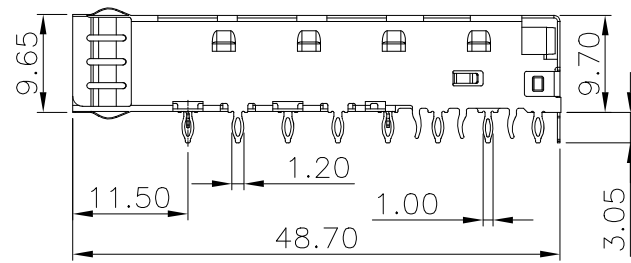
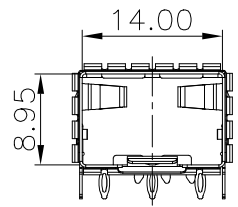
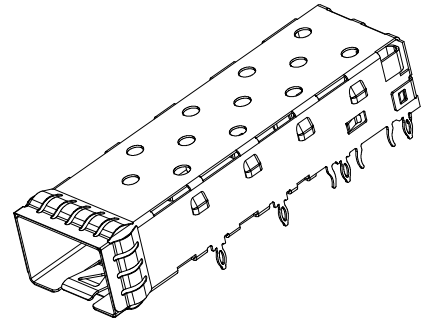
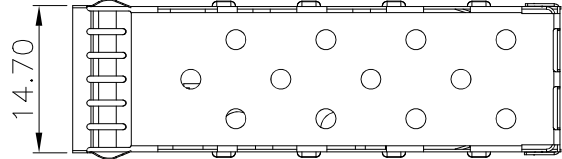


REV.	SPECIFICATION	ECN NO.	APPD.

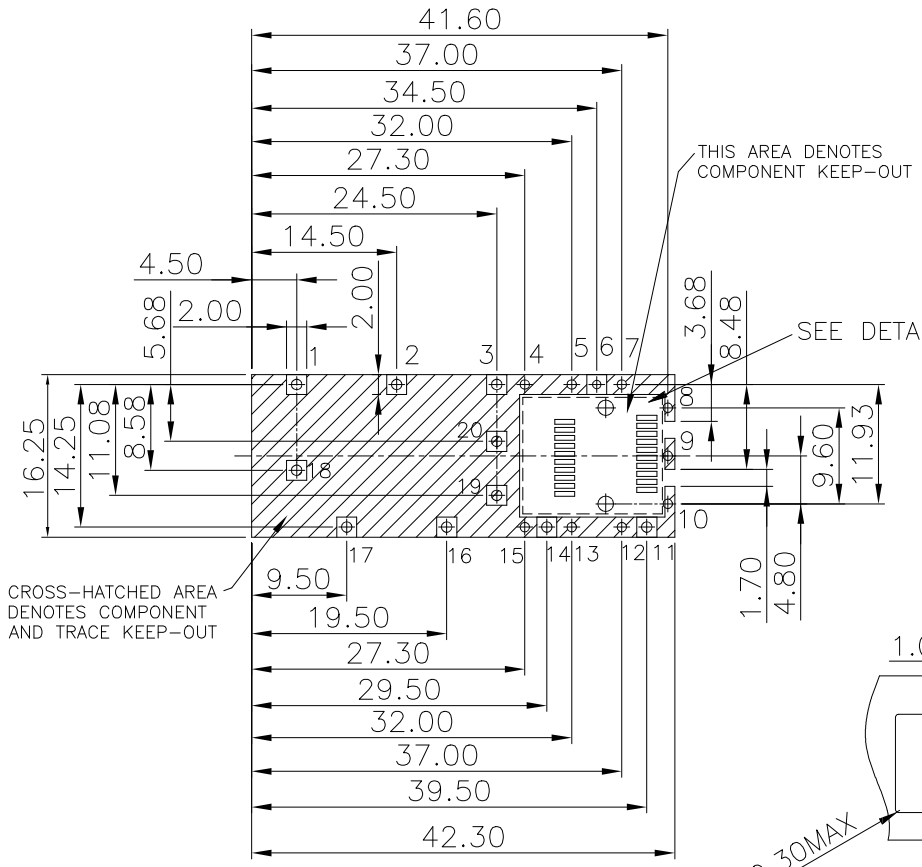
Material:
 Cage: Cu-Ni Alloy, 20~50u"Nickel Plated.
Electrical Characteristics:
 Operating Temperature: -40°C~+85°C.
***RoHS Compliant**



8951-A 1 P P 0 A
 Series ———
 1: 1 Port ———
 P: Press Fit ———
 A: Tray Package
 0: W/O Light Pipe
 P: Spring Plus

Tolerances .xx = ±0.25 .xxx = ±0.15	Dwg. No.	8951D00019		Title:		 OUPIIN ELECTRONIC(KUNSHAN) CO., LTD. P/N: 8951-A1PP0A				
	Projection			8951-A Series						
	Unit	mm	Scale	1:N		SFP+ Cage, R/A, Metal Shielded	SHEET	1/2	Ver.No.	A1
	Drawn By	Martin 02/08'23		①	665	Press Fit Type With Spring				

REV.	SPECIFICATION	ECN NO.	APPD.

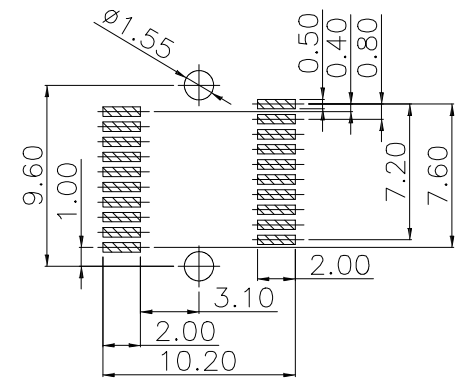


P.C.Board Layout

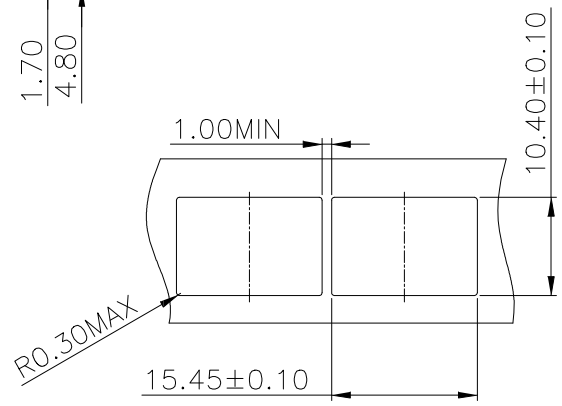
CROSS-HATCHED AREA DENOTES COMPONENT AND TRACE KEEP-OUT

THIS AREA DENOTES COMPONENT KEEP-OUT

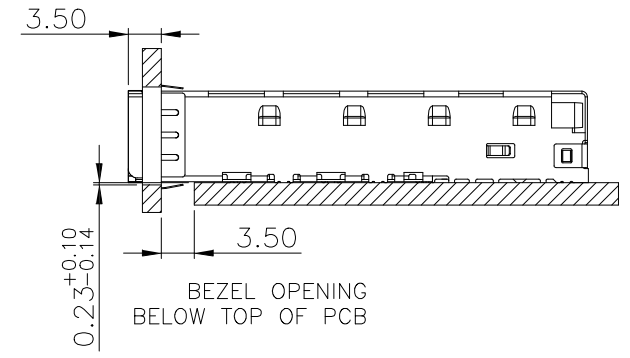
SEE DETAIL A



DETAIL A


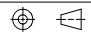


RECOMMENDED PANEL CUTOUT AND PC BOARD
PANEL POSITION AND THICKNESS 0.8-2.6



BEZEL OPENING
BELOW TOP OF PCB

NOTE:
1,2,3,11,14,16,17,18,19,20# ϕ 1.05mm;
4,5,7,8,9,10,12,13,15# ϕ 0.95mm;
6# ϕ 0.85mm;

Tolerances	Dwg. No.	8951D00019		Title:		 OUPIIN ELECTRONIC(KUNSHAN) CO., LTD. P/N: 8951-A1PP0A				
	Projection			8951-A Series						
	.xx = ±0.25	Unit	mm	Scale	SFP+ Cage, R/A, Metal Shielded		SHEET	2/2	Ver.No.	A1
	.xxx = ±0.15	Drawn By	Martin 02/08'23		Press Fit Type With Spring		665			