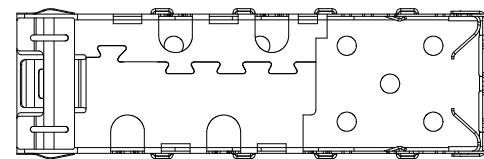
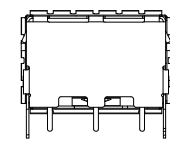
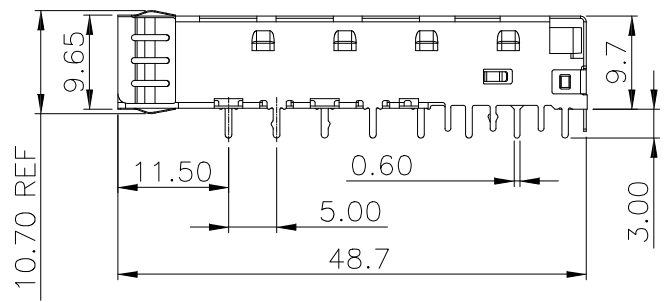
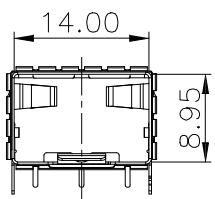
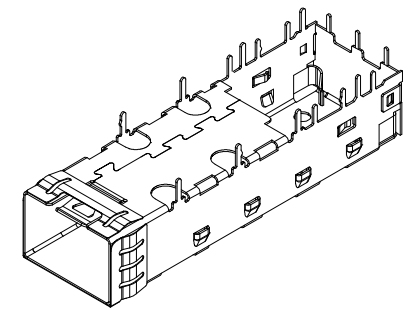
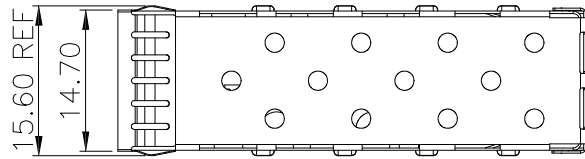


REV.	SPECIFICATION	ECN NO.	APPD.

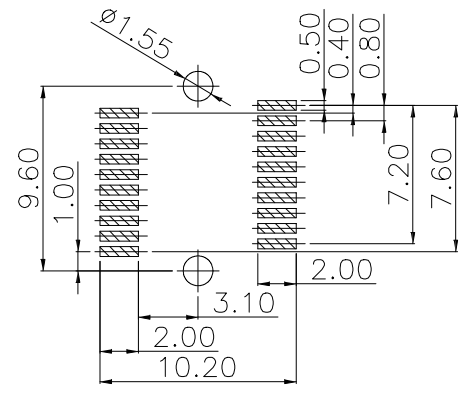
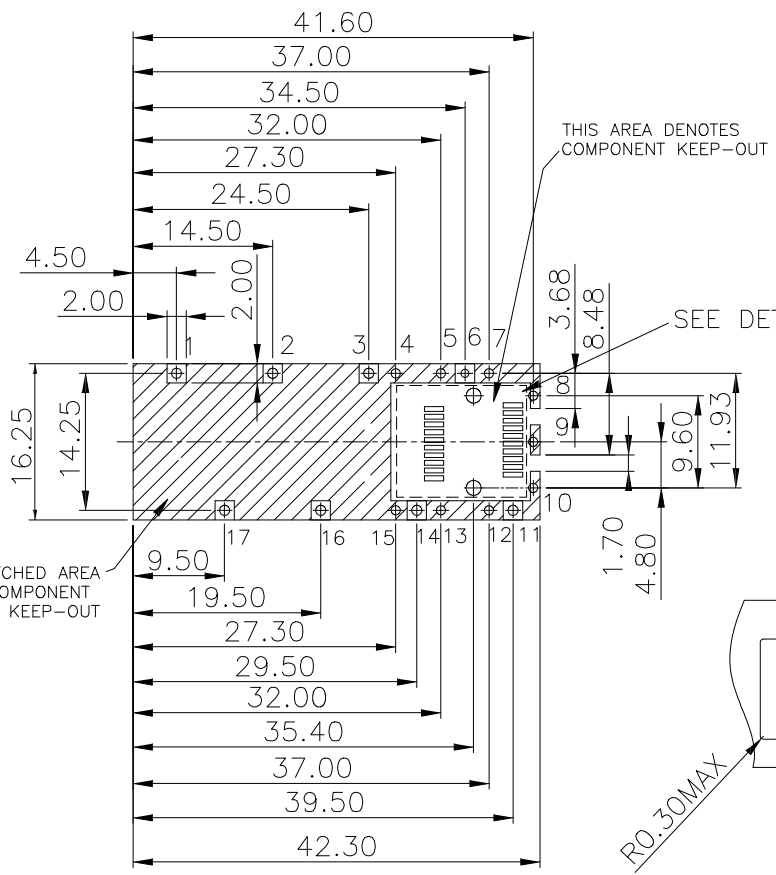
Material:
 Cage: Cu-Ni Alloy, 20~50u" Nickel Plated.
Electrical Characteristics:
 Operating Temperature: -55°C~+85°C.
***RoHS Compliant**



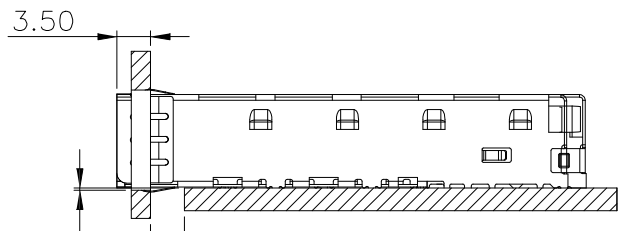
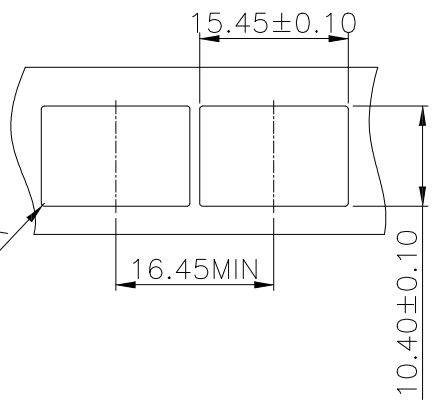
8951-A 1 S P 0 A
 Series ———
 1: 1 Port ———
 S: Dip Type ———
 A: Tray Package
 0: W/O Light Pipe
 P: Spring Plus

Tolerances .x = ±0.35 .xx = ±0.25 .xxx = ±0.15	Dwg. No.	8951D00020		Title: 8951-A Series	 OUPIIN ELECTRONIC(KUNSHAN) CO., LTD. P/N: 8951-A1SP0A
	Projection				
	Unit	mm	Scale	1:N	SHEET 1/2 Ver.No. A1
	Drawn By	Martin 04/25'23		① 665	

REV.	SPECIFICATION	ECN NO.	APPD.



DETAIL A



BEZEL OPENING BELOW TOP OF PCB

RECOMMENDED PCB THICKNESS:2.36
(MINIMUM PCB THICKNESS:1.57)
(ALL TOLERANCES ARE ±0.05)

RECOMMENDED PANEL CUTOUT AND PC BOARD
PANEL POSITION AND THICKNESS 0.8-2.6

NOTE:
1,2,3,11,14,16,17# ϕ 1.05mm;
4,5,7,8,9,10,12,13,15# ϕ 0.95mm;
6# ϕ 0.85mm;

Tolerances	Dwg. No.	8951D00020	Title:		 OUPIIN ELECTRONIC(KUNSHAN) CO., LTD. P/N: 8951-A1SP0A SHEET 2/2 Ver.No. A1
.x = ±0.35	Projection		8951-A Series		
.xx = ±0.25	Unit	mm	Scale	1:N	
.xxx = ±0.15	Drawn By	Martin 04/25'23	SFP+ Cage, R/A, Metal Shield		
			① 665		