

REV.	SPECIFICATION	ECN NO.	APPD.
R2		ECN230417	

**Material and Plating:**

Housing: LCP, UL94V-0, Black .

Power Contacts: High Conductivity Copper.

30u"Au+Pd/Ni on Contact Area and 80u" Min Tin Plated on Solder Tail over 50u" Min Nickel.

Signal Contacts: Brass.

30u"Au+Pd/Ni on Contact Area and 80u" Min Tin Plated on Solder Tail over 50u" Min Nickel.

**Electrical Characteristics:**

Current Rating: Signal Pin 2.5 AMP.

Power Pin 30 AMP.

Dielectric Withstanding Voltage:

Signal Pin DC 1000V For 1 minute.

Power Pin DC 2500V For 1 minute.

Insulator Resistance: Signal Pin 5000MΩ min. at DC 500V.

Power Pin 20000MΩ min. at DC 500V.

Contact Resistance: Signal Pin 15mΩ max. at DC 20mA.

Power Pin 0.7mΩ max. at DC 20mA.

Operating Temperature: -55°C ~+125°C .

**\*RoHS Compliant**

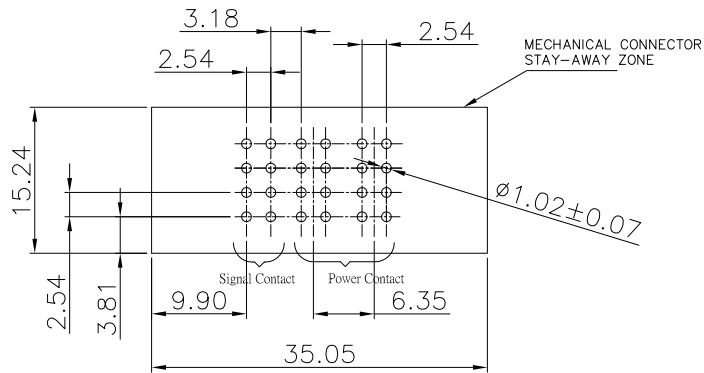
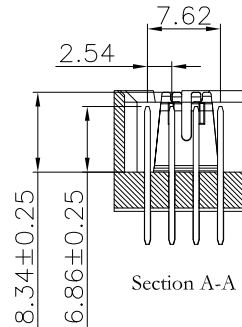
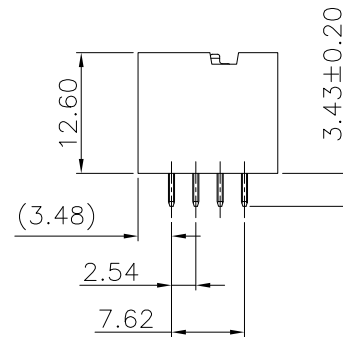
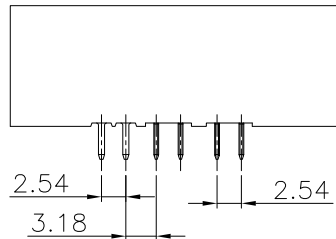
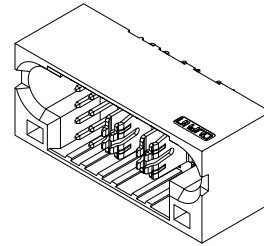
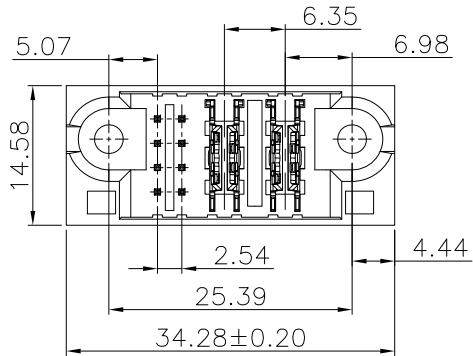
Notes :

H: High density Power---PCB Mount 5.08mm Pitch

P: DC Power---PCB Mount 6.35mm Pitch

A: AC Power---PCB Mount 7.62mm Pitch

S: Signal---PCB Mount 2.54mm Pitch



**9391-A 3 S08 P02 CB 30 D A**

- Series
- 3: Male Straight
- Blank: Without Contact
- Signal Contact: S xx
- No. of position
- A: Tray Package
- D: Dip Type
- 30: 30u"
- CB: Dip Tin Plated Contact Au+Pd/Ni Plated
- Blank: Without Contact
- Power Contact: Hxx, Pxx, Axx
- No. of position

ROWS	SIGNAL		POWER	
	1	2	P1	P2
D	GG			
C	GG		MS	
B	GG			MS
A	GG			

SIGNAL PIN CONTACT LENGTH 4.32mm	H
SIGNAL PIN CONTACT LENGTH 5.59mm	E
SIGNAL PIN CONTACT LENGTH 7.05mm	F
SIGNAL PIN CONTACT LENGTH 6.86mm	G
HOT PLUG POWER CONTACT.STD	MS

Tolerances	Dwg. No.	9391-D0000-317		Title:	
x = ±0.5	Projection	⊕		9391 Series Male Straight Dip Type	
.x = ±0.25	Unit	mm	Scale		1:1
.xx = ±0.15	Drawn By	XS 04/12'23			

<b>OUPIN</b>			
OUPIN ELECTRONIC(KUNSHAN) CO., LTD.			
P/N: 9391-A3S08P02CB30DA			
SHEET	1/1	Ver. No.	R2