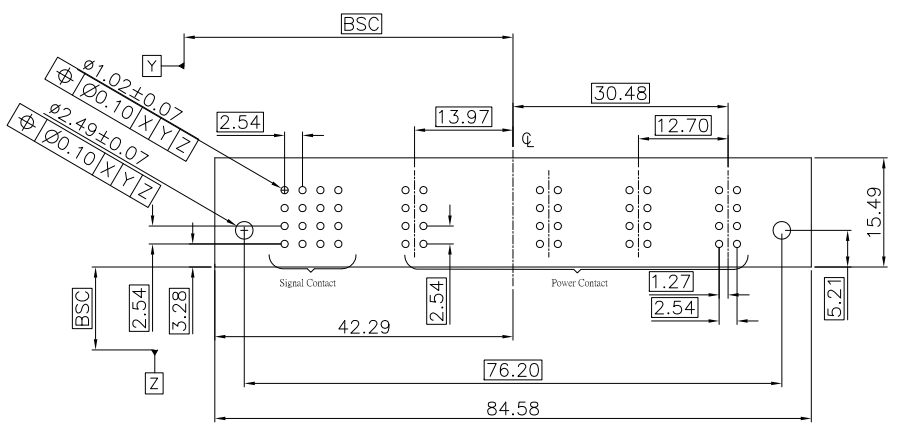
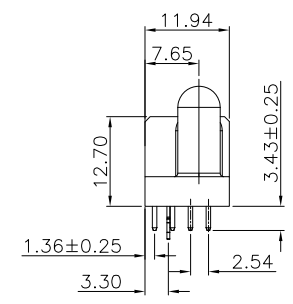
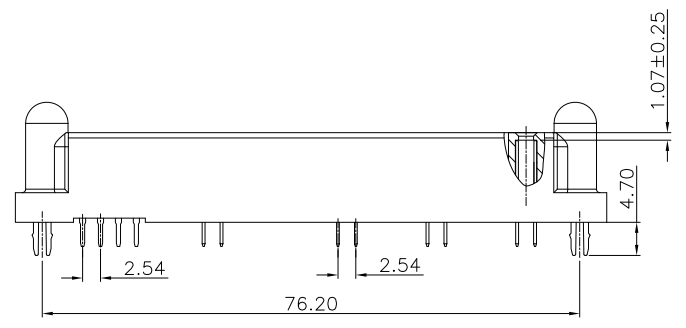
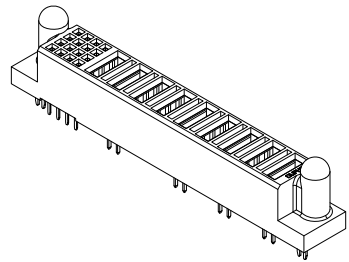
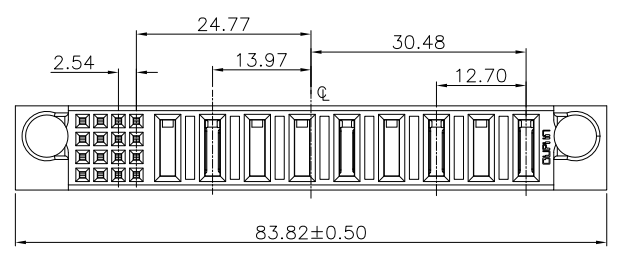
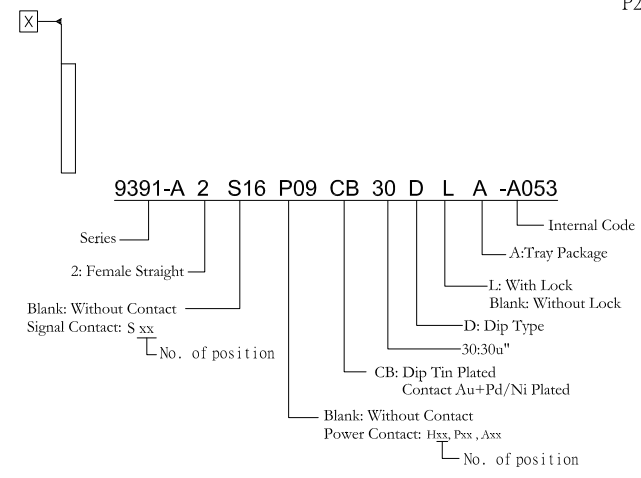


REV.	SPECIFICATION	ECN NO.	APPD.
X2			



P.C.Board Layout  
(Tolerance:±0.05)



**Material and Plating:**

**Housing:** LCP, UL94V-0, BLACK.  
**Power Contacts:** High Conductivity Copper.  
 30u" Au+Pd/Ni Plated on Contact Area and 80u" Min Tin Plated on Solder Tail over Nickel 50u" Min .  
**Signal Contacts :** Phosphor Bronze.  
 30u" Au+Pd/Ni on Contact Area and 80u" Min Tin Plated on Solder Tail over nickel 50u" Min under plated .  
**Lock:** Phosphor Bronze.

**Electrical Characteristics:**

**Current Rating:** Signal Pin 2.5 AMP.  
 Power Pin 30 AMP.  
**Dielectric Withstanding Voltage:**  
 Signal Pin DC 1000V For 1 minute.  
 Power Pin DC 2500V For 1 minute.  
**Insulator Resistance:** Signal Pin 5000MΩ min. at DC 500V.  
 Power Pin 20000MΩ min. at DC 500V.  
**Contact Resistance:** Signal Pin 15mΩ max. at DC 20mA.  
 Power Pin 0.7mΩ max. at DC 20mA.  
**Operating Temperature:** -40°C ~+105°C .

**\*RoHS Compliant**

**Notes 1:**

- H: High density Power---PCB Mount 5.08mm Pitch
- P: DC Power---PCB Mount 6.35mm Pitch
- A: AC Power---PCB Mount 7.62mm Pitch
- S: Signal---PCB Mount 2.54mm Pitch

**Notes 2:**

P2,P4,P6,P7,P9 Without Contact.

ROWS	SIGNAL			POWER							HD	
	4	3	2	P9	P8	P7	P6	P5	P4	P3		P2
D	LLL	L	L									
C	LLL	L	L		FS				FS		FS	
B	LLL	L	L									
A	HD											HD

POWER CONTACT TO THE TOP DISTANCE 2.34mm,	FM
POWER CONTACT TO THE TOP DISTANCE 1.07mm,	FS
SIGNAL CONTACT 3.43 SOLDER TAIL, PD/Ni	L

Tolerances	Dwg. No.	9391-D0000-406
x = ±0.5	Projection	
.x = ±0.25	Unit	mm
.xx = ±0.15	Scale	1:1
	Drawn By	XS 02/10'25

Title:  
9391 Series High Power  
Socket Straight  
Dip Type

<b>OUPIN</b>			
OUPIN ELECTRONIC(KUNSHAN) CO., LTD.			
P/N: 9391-A2S16P09CB30DLA-A053			
SHEET	1/1	Ver. No.	X2