

REV.	SPECIFICATION	ECN NO.	APPD.
R1		ECN240308	

Material and Plating:

Housing: LCP, UL94V-0, BLACK.

Power Contacts: High Conductivity Copper.

30u"Au+Pd/Ni on Contact Area and 80u" Min Tin Plated on Solder Tail over Nickel 50u" Min .

Signal Contact: Phosphor Bronze.

30u"Au+Pd/Ni on Contact Area and 80u" Min Tin Plated on Solder Tail over Nickel 50u" Min .

Lock: Phosphor Bronze.

Electrical Characteristics:

Current Rating: Signal Pin 2.5 AMP.

Power Pin 30 AMP.

Dielectric Withstanding Voltage:

Signal Pin DC 1000V For 1 minute.

Power Pin DC 2500V For 1 minute.

Insulator Resistance: Signal Pin 5000MΩ min. at DC 500V.

Power Pin 20000MΩ min. at DC 500V.

Contact Resistance: Signal Pin 15mΩ max. at DC 20mA.

Power Pin 0.7mΩ max. at DC 20mA.

Operating Temperature: -40°C ~+105°C .

***RoHS Compliant**

Notes :

H: High density Power---PCB Mount 5.08mm Pitch

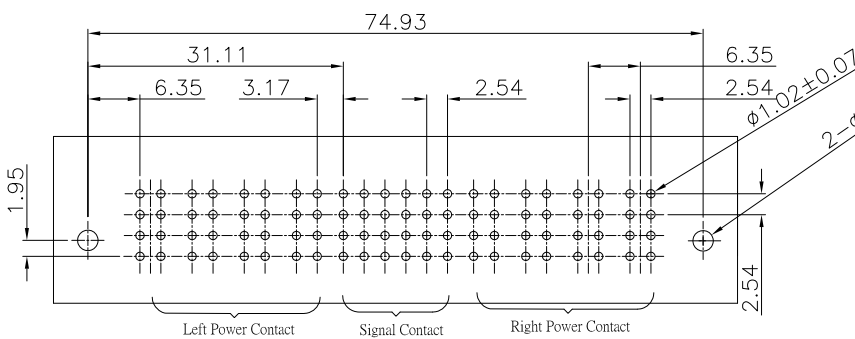
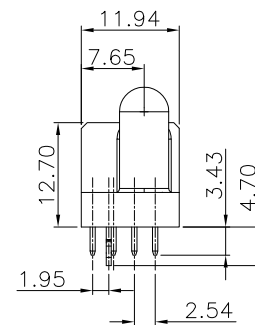
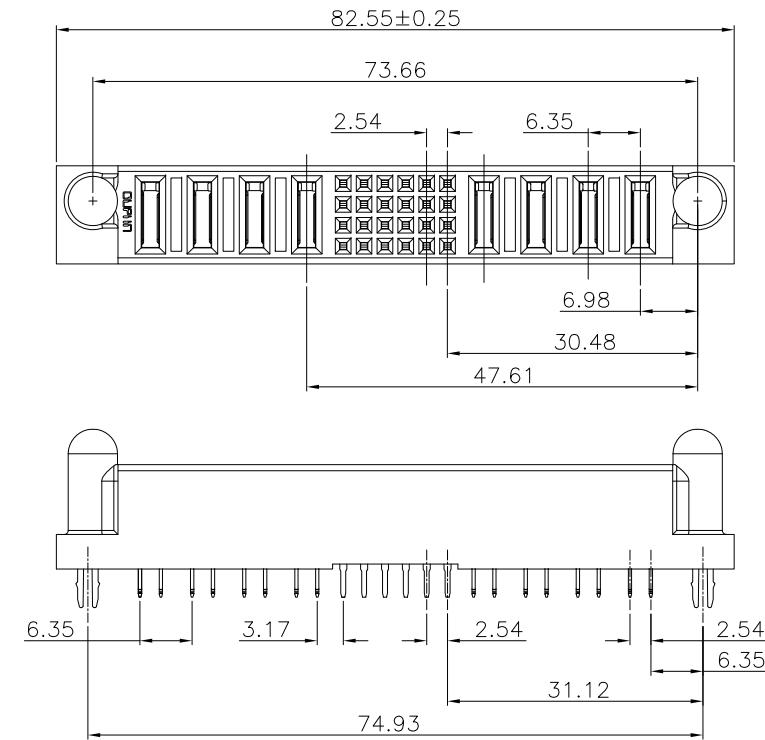
P: DC Power---PCB Mount 6.35mm Pitch

A: AC Power---PCB Mount 7.62mm Pitch

S: Signal---PCB Mount 2.54mm Pitch

ROWS	Left POWER				SIGNAL				Right POWER					
	P8	P7	P6	P5	6	5	4	3	2	1	P4	P3	P2	P1
D	FS	FS	FS	FS	LLLLLL	LLLLLL	LLLLLL	LLLLLL	LLLLLL	LLLLLL	FS	FS	FS	FS
C	HD				LLLLLL	LLLLLL	LLLLLL	LLLLLL	LLLLLL	LLLLLL				HD
B					LLLLLL	LLLLLL	LLLLLL	LLLLLL	LLLLLL	LLLLLL				
A					LLLLLL	LLLLLL	LLLLLL	LLLLLL	LLLLLL	LLLLLL				

POWER CONTACT TO THE TOP DISTANCE 2.34mm, THE MATING LENGTH 3.61mm	FM
POWER CONTACT TO THE TOP DISTANCE 1.07mm, THE MATING LENGTH 4.88mm	FS
SIGNAL CONTACT 3.43 SOLDER TAIL, PD/Ni	L



P.C.Board Layout
(Tolerance:±0.05)

Series **9391-A** 2 P04 S24 P04 CB 30 D L A
 2: Female Straight
 Blank: Without Contact
 Power Contact: Hxx, Pxx, Axx
 No. of position
 Blank: Without Contact
 Signal Contact: Sxx
 No. of position
 Blank: Without Contact
 Power Contact: Hxx, Pxx, Axx
 No. of position
 A: Tray Package
 L: With Lock
 Blank: Without Lock
 D: Dip Type
 30: 30u"
 CB: Dip Tin Plated
 Contact Au+Pd/Ni Plated
 Blank: Without Contact
 Power Contact: Hxx, Pxx, Axx
 No. of position

Tolerances	Dwg. No.	9391-D0000-322		Title:		9391 Series		 OUPIN ELECTRONIC(KUNSHAN) CO., LTD. P/N: 9391-A2P04S24P04CB30DLA			
x = ±0.5	Projection			9391 Series		Female Straight Dip Type					
.x = ±0.25	Unit	mm	Scale	1:1				SHEET	1/1	Ver. No.	R1
.xx = ±0.15	Drawn By	XS 03/11'24									