

REV.	SPECIFICATION	ECN NO.	APPD.
X1			

**Material and Plating:**

Housing: LCP, UL94V-0, Black.  
 Contacts: Phosphor Bronze.  
 30u" Au+Pd/Ni on Contact Area and 80u" Min Tin Plated on Press Fit over 50u" Min Nickel .

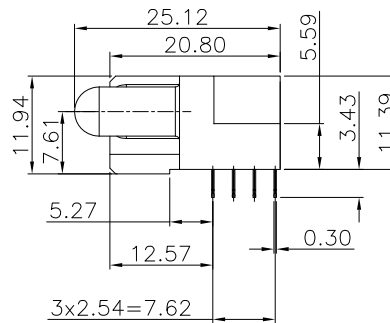
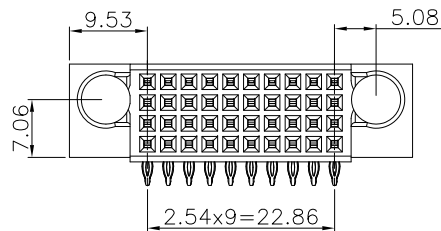
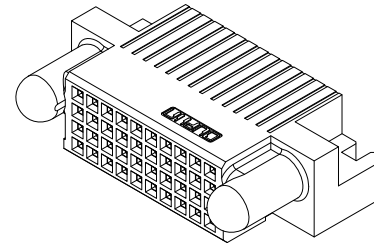
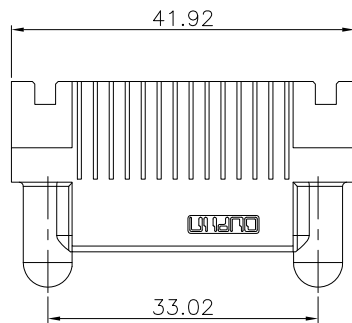
**Electrical Characteristics:**

Current Rating: 2.5 AMP.  
 Dielectric Withstanding Voltage: DC 1000V For 1 minute.  
 Insulator Resistance: 5000MΩ min. at DC 500V.  
 Contact Resistance: 15mΩ max. at DC 20mA.  
 Operating Temperature: -40°C ~+105°C .

**\*RoHS Compliant**

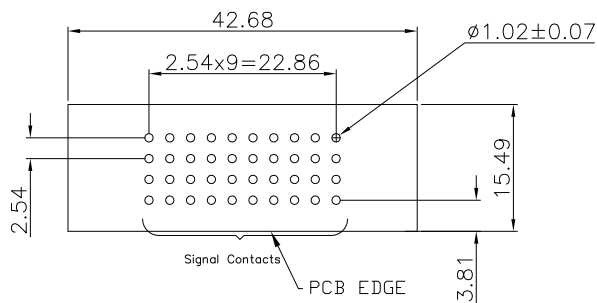
**Notes 1:**

S: Signal---PCB Mount 2.54mm Pitch

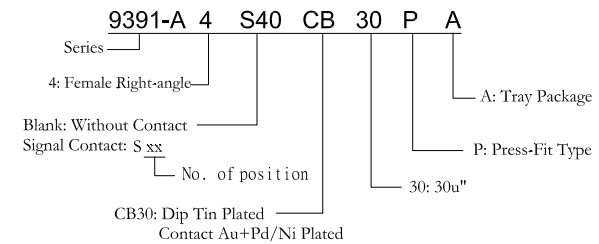


ROWS	SIGNAL									
	10	9	8	7	6	5	4	3	2	1
D	L	L	L	L	L	L	L	L	L	L
C	L	L	L	L	L	L	L	L	L	L
B	L	L	L	L	L	L	L	L	L	L
A	L	L	L	L	L	L	L	L	L	L

SIGNAL CONTACT 3.43 SOLDER TAIL, PD/NI	L
--	---



P.C.Board Layout  
(Tolerance:±0.05)



Tolerances	Dwg. No.	9391-D0000-365	
x = ±0.5	Projection	⊕ ↗	
.x = ±0.25	Unit	mm	Scale 1:1
.xx = ±0.15	Drawn By	XS 07/27'22	

Title:  
 9391 Series  
 Female Right-angle  
 Press Fit Type

<b>OUPIN</b>			
OUPIN ELECTRONIC(KUNSHAN) CO., LTD.			
P/N: 9391-A4S40CB30PA			
SHEET	1/1	Ver. No.	X1