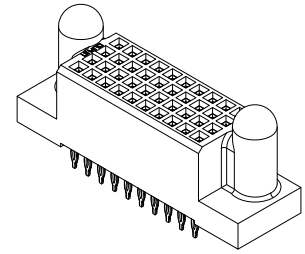
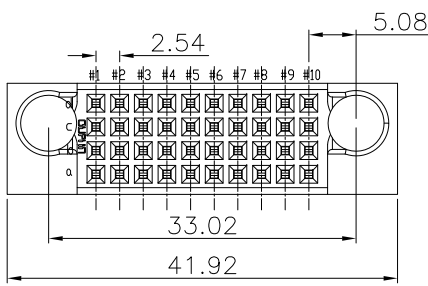


REV.	SPECIFICATION	ECN NO.	APPD.
R1		ECN230551	



Material and Plating:

Housing: LCP,UL94V-0 , BLACK.
 Signal Contacts : Phosphor Bronze .
 30u"Au+Pd/Ni on Contact Area and 80u" Min Tin Plated on Press Fit over nickel 50u" Min .

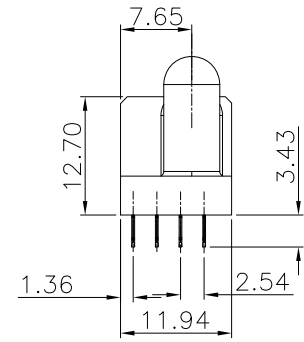
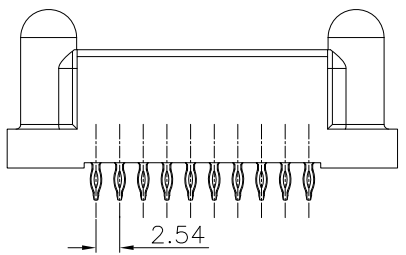
Electrical Characteristics:

Current Rating: Signal Pin 2.5 AMP.
 Dielectric Withstanding Voltage: Signal Pin DC 1000V For 1 minute.
 Insulator Resistance: Signal Pin 5000MΩ min. at DC 500V.
 Contact Resistance: Signal Pin 15mΩ max. at DC 20mA.
 Operating Temperature: -40°C ~+105°C .

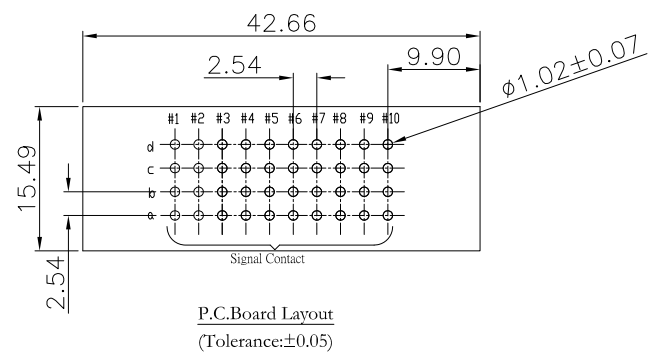
***RoHS Compliant**

Notes :

- H: High density Power---PCB Mount 5.08mm Pitch
- P: DC Power---PCB Mount 6.35mm Pitch
- A: AC Power---PCB Mount 7.62mm Pitch
- S: Signal---PCB Mount 2.54mm Pitch



ROWS	SIGNAL									
	10	9	8	7	6	5	4	3	2	1
D	L	L	L	L	L	L	L	L	L	L
C	L	L	L	L	L	L	L	L	L	L
B	L	L	L	L	L	L	L	L	L	L
A	L	L	L	L	L	L	L	L	L	L



9391-A 2 S40 CB 30 P A

Series: 9391-A
 2: Female Straight
 Blank: Without Contact
 Signal Contact: S xx
 No. of position: 30
 CB: Dip Tin Plated
 Contact Au+Pd/Ni Plated
 A: Tray Package
 P: Press-Fit Type
 30:30u"

POWER CONTACT TO THE TOP DISTANCE 2.34mm, THE MATING LENGTH 3.61mm	FM
POWER CONTACT TO THE TOP DISTANCE 1.07mm, THE MATING LENGTH 4.88mm	FS
SIGNAL CONTACT 3.43 SOLDER TAIL, PD/NI	L

Tolerances	Dwg. No.	9391-D0000-364	Title:		 OUPIN ELECTRONIC(KUNSHAN) CO., LTD. P/N:9391-A2S40CB30PA			
x = ±0.5	Projection		9391 Series Female Straight Press Fit Type					
.x = ±0.25	Unit	mm	Scale	1:1	SHEET	1/1	Ver. No.	R1
.xx = ±0.15	Drawn By	XS 05/30'23						