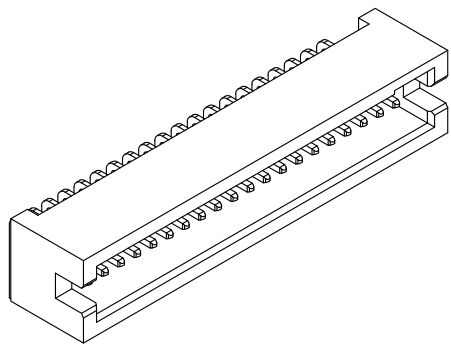
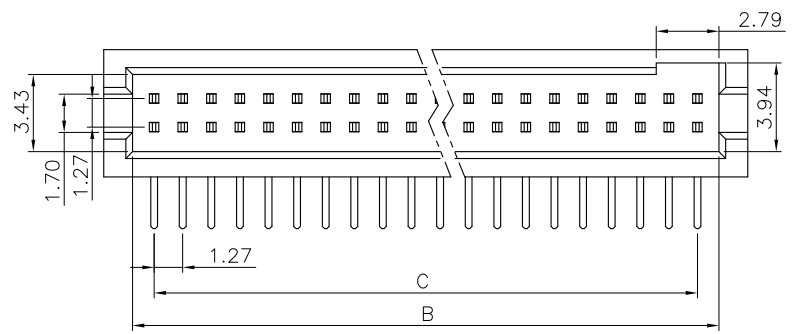
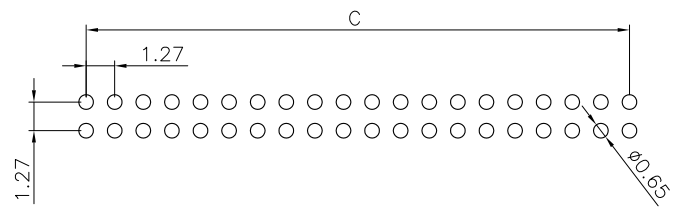
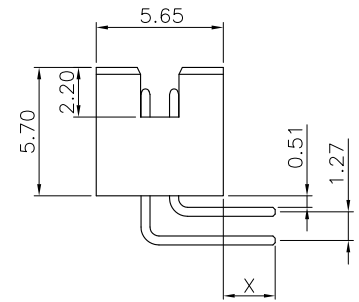
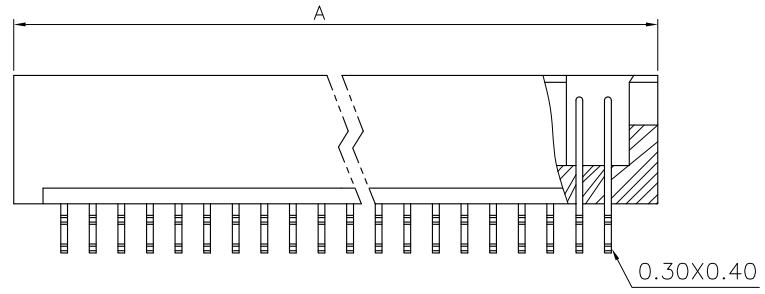


REV.	SPECIFICATION	ECN NO.	APPD.
R1		ECN081017	



**Materials**  
**Housing:** High Temperature Plastic UL94V-0.  
 withstands IR and VPR soldering methods.  
**Contact:** Brass.  
**Electrical Characteristics:**  
**Current Rating:** 1 AMP.  
**Dielectric Withstanding:** AC 500V For 1 minute.  
**Insulation Resistance:** 1000MΩ min. at DC 500V.  
**Contact Resistance:** 20mΩ max.at DC 100mA.  
**Operating Temperature:** -65°C ~ +125°C  
**\*RoHS Compliant**



P.C. Board Layout  
 (Tolerance:±0.05)

Series **2216-** **xx** **C** **xx** **R** **x** **x** U: Tube Package  
 No.of Pin Count T: Tape & Reel Package  
 C: Selective Gold Plated 1: 3.05  
 G: Gold Plated 2: 1.91  
 3: 2.30  
 00: G/F R: Right Angle  
 10: 10 μ"  
 15: 15 μ"  
 30: 30 μ"

X	1	2	3
Length	3.05	1.91	2.30
Position	10 Thru 100		
Dimension	A: 1.27 X No. of Positions /2+3.18		
	B: 1.27 X No. of Positions /2+0.64		
	C: 1.27 X No. of Positions /2-1.27		

Tolerances	Drawn No.	2216D01012		Title:		 OUPIN ELECTRONIC(KUNSHAN) CO., LTD. P/N: 2216-xxCxxRxx	
x = ±0.5	Projection			2216 Series			
.x = ±0.25	Unit	mm	Scale	Box Header		SHEET	
.xx = ±0.15	Drawn By	FHY12/13'08		1.27mmX1.27mm(0.050"X0.050")		1/1	Ver.No.
							R1