

REV.	SPECIFICATION	ECN NO.	APPD.
R5		ECN220859	

**Material and Plating:**

Housing: LCP, UL94V-0, BLACK.

Contact: Brass.

Gold Plated on Contact Area and 80u" Min Tin or Gold Flash Plated on Solder Tail over Nickel 50u" Min.

**Electrical Characteristics:**

Current Rating: 1 AMP.

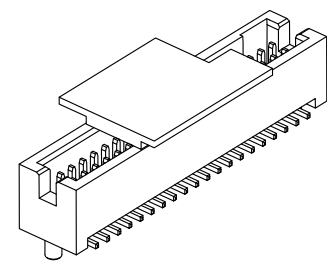
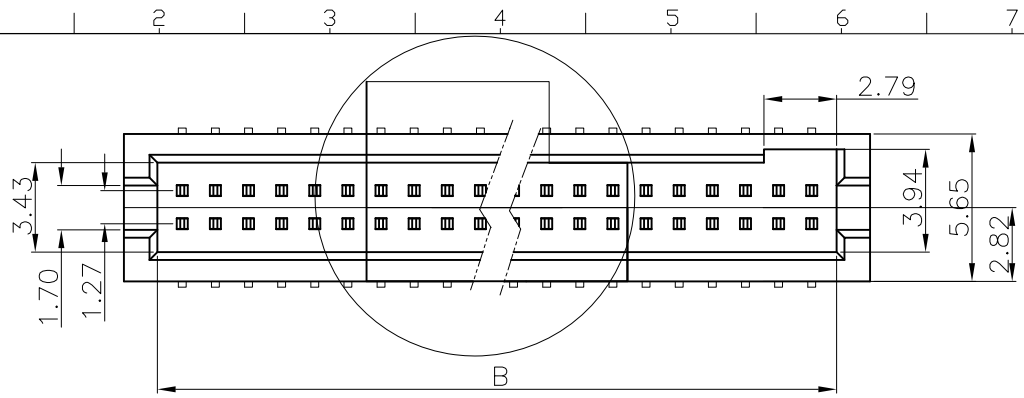
Dielectric Withstanding: AC 500V For 1 minute.

Insulation Resistance: 1000MΩ min. at DC 500V.

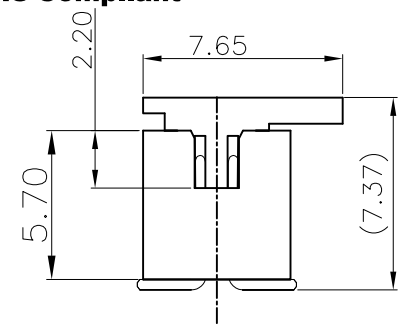
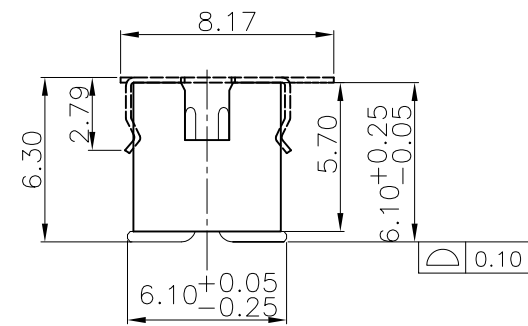
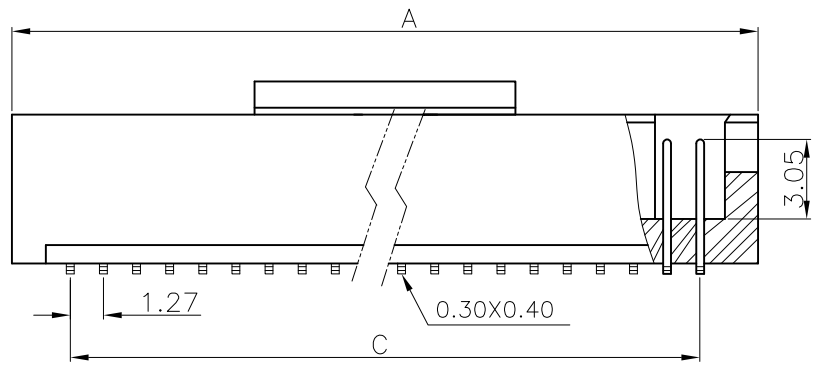
Contact Resistance: 20mΩ max.at DC 100mA.

Operating Temperature: -65°C ~ +125°C

**\*RoHS Compliant**

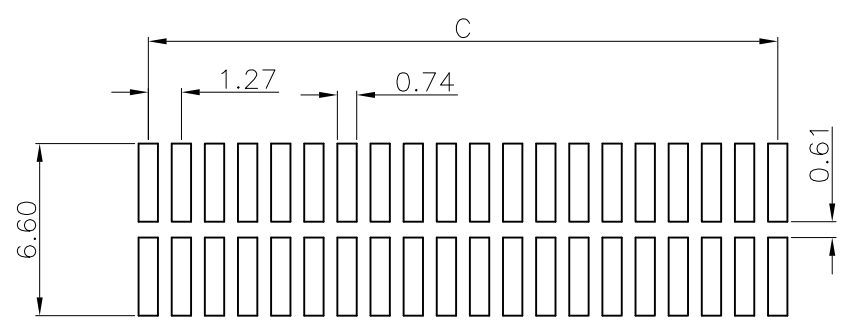
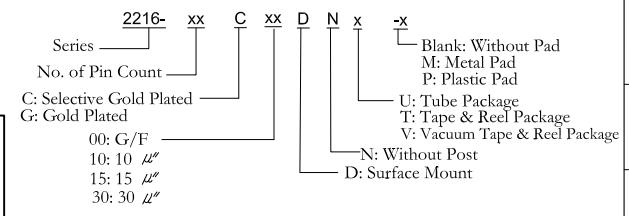


A  
B  
C  
D  
E  
F  
G  
H

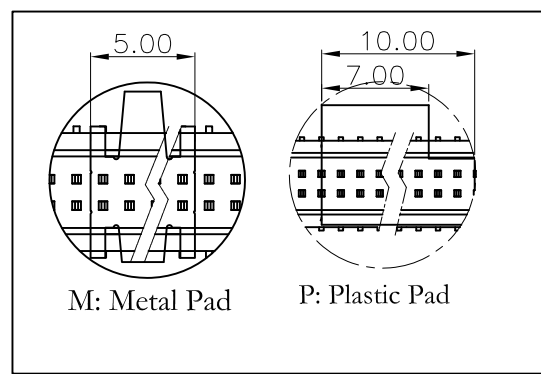


M: Metal Pad

P: Plastic Pad



P.C. Board Layout  
(Tolerance: ±0.05)



M: Metal Pad

P: Plastic Pad

Position	10 Thru 100
Dimension	
A	1.27 X No. of Positions /2+3.18
B	1.27 X No. of Positions /2+0.64
C	1.27 X No. of Positions /2-1.27

Tolerances	Drawn No.	2216D01002
x = ±0.5	Projection	
.x = ±0.25	Unit	mm
.xx = ±0.15	Scale	1:1
	Drawn By	CCH8/25/22

Title: 2216 Series Box Header  
1.27mmX1.27mm(0.050"X0.050")



OUPIN ELECTRONIC(KUNSHAN) CO., LTD.			
P/N: 2216-xxCxxDNx-x			
SHEET	1/1	Ver. No.	R5

1 2 3 4 5 6 7 8 9 10 11 12

1 2 3 4 5 6 7 8 9 10 11 12