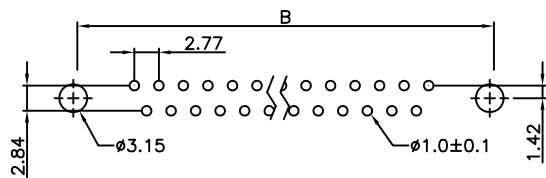
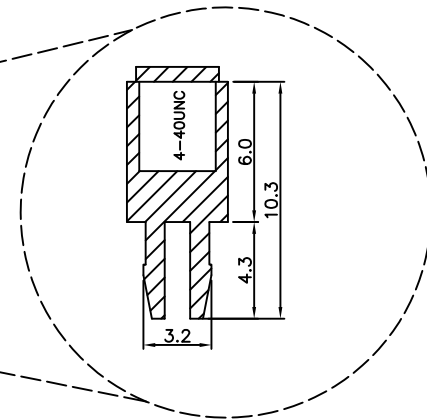
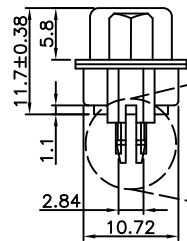
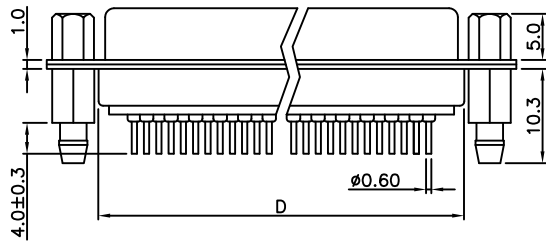
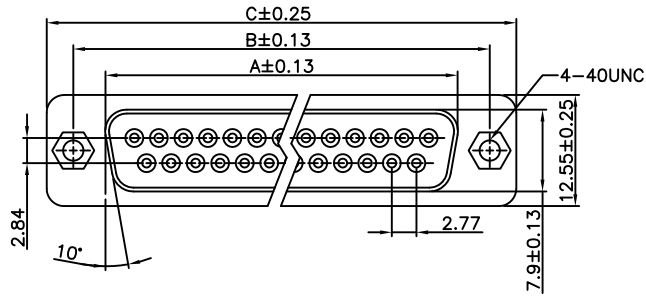


REV.	SPECIFICATION	ECN NO.	APPD.
A5			



**P.C. Board Layout**

7905- xx F T B G 00 N3N6 N5 A

Series ——— xx ——— F ——— T ——— B ——— G ——— 00 ——— N3N6 ——— N5 ——— A ———

Position ———

F: Female

B: Black

U: Blue

W: White

G: Gold Plated

00: G/F

10: 10u"

15: 15u"

30: 30u"

A: Tray Package

N5: Machine Pin

N3N6: With 4-40UNC Threaded Riveted Brackets and Jack Screws Assembled

Position	Dimension			
	A	B	C	D
9	16.33	24.99	30.81	19.28
15	24.66	33.32	39.14	27.51
25	38.38	47.04	53.04	41.30
37	54.84	63.50	69.32	57.71

<b>Tolerances</b>	<b>Dwg. No.</b>	7905D02034	<b>Title:</b>
x = ±0.50	<b>Projection</b>		7905 Series D-SUB Straight Type
.x = ±0.25	<b>Unit</b>	mm	
.xx = ±0.15	<b>Scale</b>	1:1	
	<b>Drawn By</b>	jia-chi 01/03'18	① 767

<b>OUPIN</b>			
OUPIN ELECTRONIC(KUNSHAN) CO., LTD.			
P/N: 7905-xxFTBG00N3N6N5A			
<b>SHEET</b>	1/1	<b>Ver.No.</b>	A7

**Material:**

Housing: PBT, UL94V-0.

Contacts: Brass, Gold Plated over Nickel 30u" Min .  
Shell: Steel.

**Electrical Characteristics:**

Current Rating: 5 AMP.

Dielectric Withstanding Voltage: AC 1000V for 1 minute.

Insulation Resistance: 1000MΩ min. at DC 500V.

Contact Resistance: 20mΩ max. at DC 100mA.

Operating Temperature: -55°C~+105°C.

**\*RoHS Compliant**