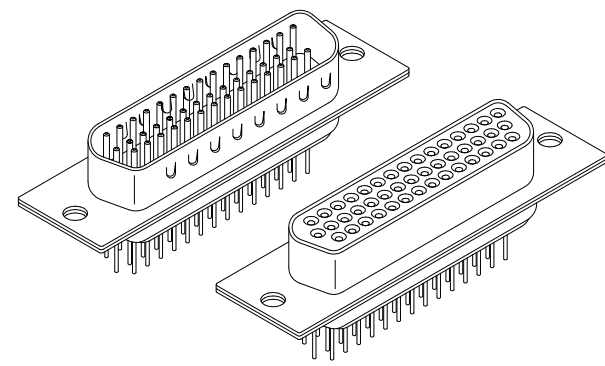


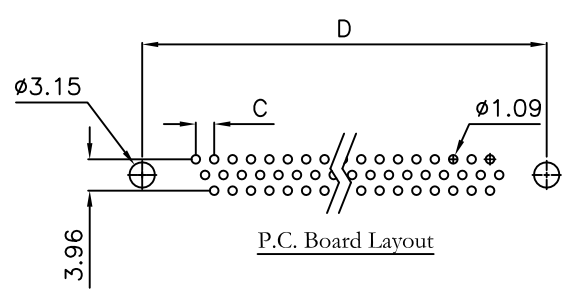
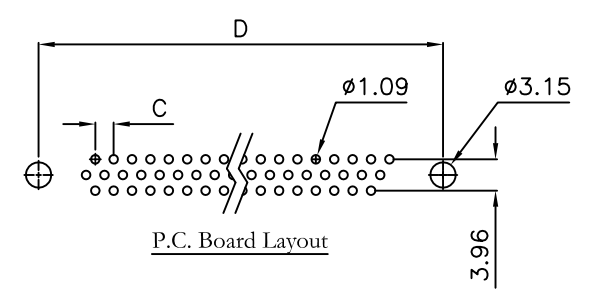
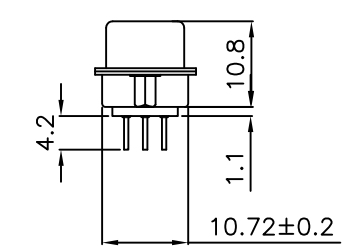
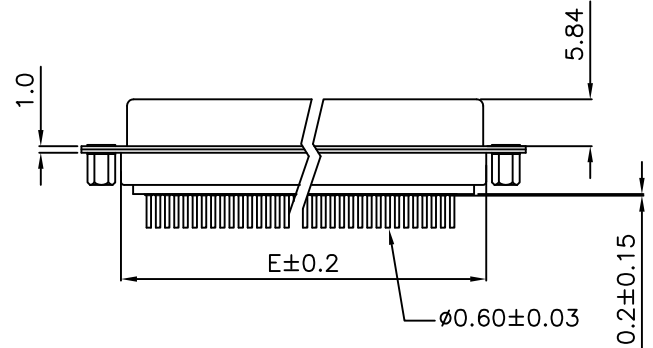
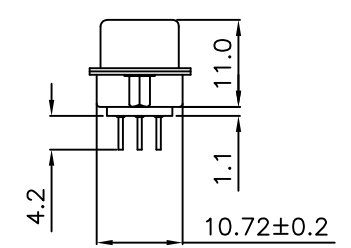
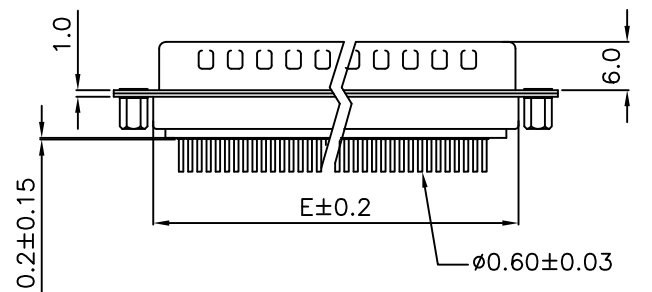
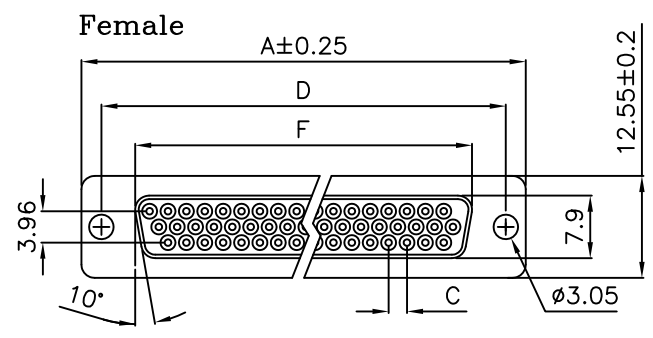
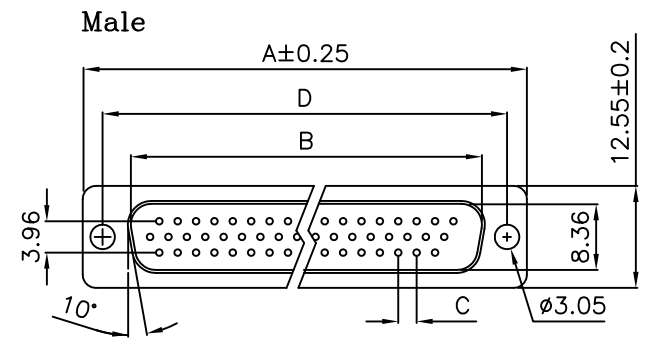
REV.	SPECIFICATION	ECN NO.	APPD.



**Material:**  
Housing: PBT, UL94V-0.  
Contacts: Brass, Gold Plated over Nickel 30 u" Min.  
Shell: Steel.

**Electrical Characteristics:**  
Current Rating: 1 AMP.  
Dielectric Withstanding Voltage: AC 1000V For 1 minute.  
Insulation Resistance: 1000MΩ min. at DC 500V.  
Contact Resistance: 20mΩ max. at DC 100mA.  
Operating Temperature: -55°C~+105°C.

**\*RoHS Compliant**



7915- xx M T B G 00 N2 A

Series —  
Position —  
M: Male  
F: Female  
B: Black  
U: Blue  
W: White

A: Tray Package  
N2: With NUTS  
#4-40 Threaded  
Riveted On Rear Side  
00: G/F  
G: Gold Plated

Position	Dimension					
	A	B	C	D	E	F
15	30.8	16.9	2.29	24.99	19.3	16.3
26	39.1	25.3	2.29	33.32	27.5	24.7
44	53.0	39.0	2.29	47.04	41.3	38.4
62	69.3	55.4	2.41	63.50	57.7	54.8

Tolerances	Dwg. No.	7915D03002	Title:
x = ±0.5	Projection		7915 Series H.D. D-SUB Straight Type
.x = ±0.25	Unit	mm	
.xx = ±0.15	Scale	1:1	
	Drawn By	Lucas 12/11'17	767

**OUPIN**  
**OUPIN ELECTRONIC(KUNSHAN) CO., LTD.**  
P/N: 7915-xxMTBG00N2A  
7915-xxFTBG00N2A

SHEET	1/1	Ver.No.	B2
-------	-----	---------	----