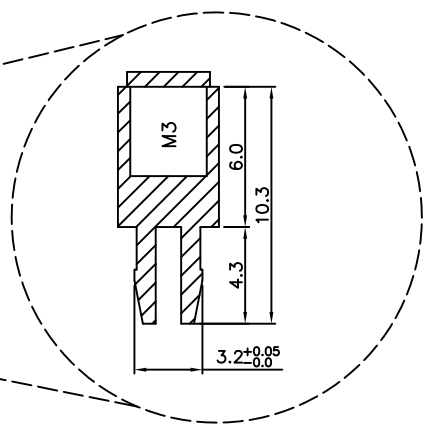
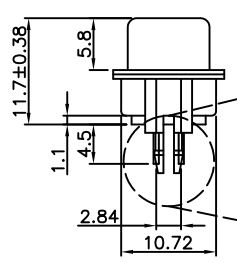
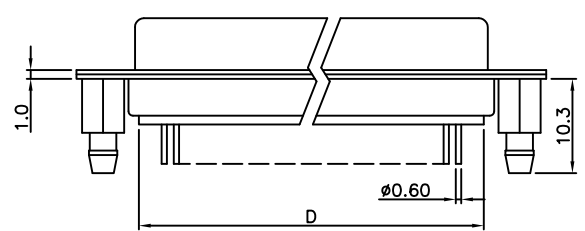
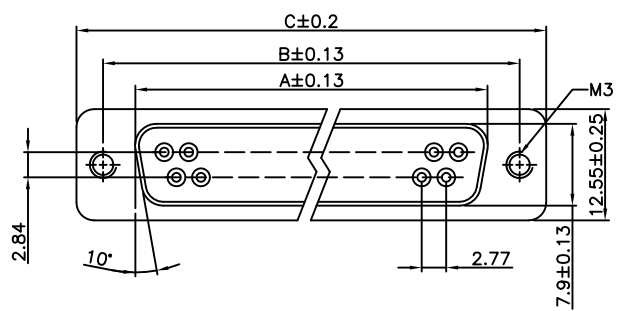
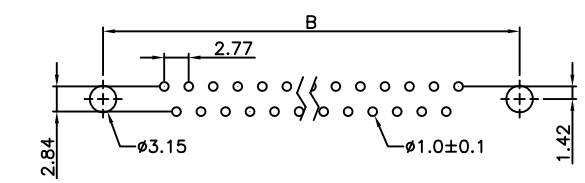


REV.	SPECIFICATION	ECN NO.	APPD.
A5			



Material:
Housing: PBT, UL94V-0.
Contacts: Brass, Gold Plated over Nickel 30u" Min.
Shell: Steel.

Electrical Characteristics:
Current Rating: 1 AMP.
Dielectric Withstanding Voltage: AC 1000V for 1 minute.
Insulation Resistance: 1000MΩ min. at DC 500V.
Contact Resistance: 20mΩ max. at DC 100mA.
Operating Temperature: -55°C~+105°C.
***RoHS Compliant**



P.C. Board Layout

7905- xx F T B G 00 N3 A -M3

Series ————
Position ————
F: Female
B: Black
U: Blue
W: White
G: Gold Plated

M3: M3 Threaded Hole
A: Tray Package
N3: With Threaded Riveted Brackets(Board Locks)

00: G/F
10: 10u"
15: 15u"
30: 30u"

Position	Dimension			
	A	B	C	D
9	16.33	24.99	30.81	19.28
15	24.66	33.32	39.14	27.51
25	38.38	47.04	53.04	41.30
37	54.84	63.50	69.32	57.71

Tolerances	Dwg. No.	7905D02025	Title:
x = ±0.50	Projection		7905 Series D-SUB Straight Type
.x = ±0.25	Unit	mm	
.xx = ±0.15	Scale	1:1	
	Drawn By	jia-chi 01/03'18	① 767

OUPIN			
OUPIN ELECTRONIC(KUNSHAN) CO., LTD.			
P/N: 7905-xxFTBG00N3A-M3			
SHEET	1/1	Ver.No.	A8