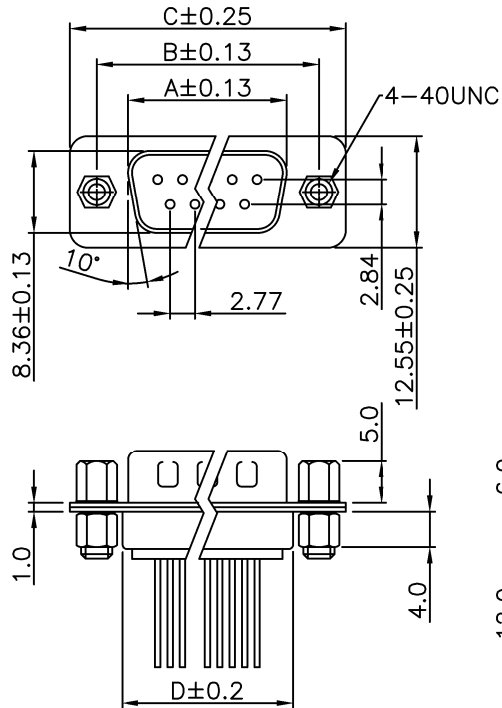
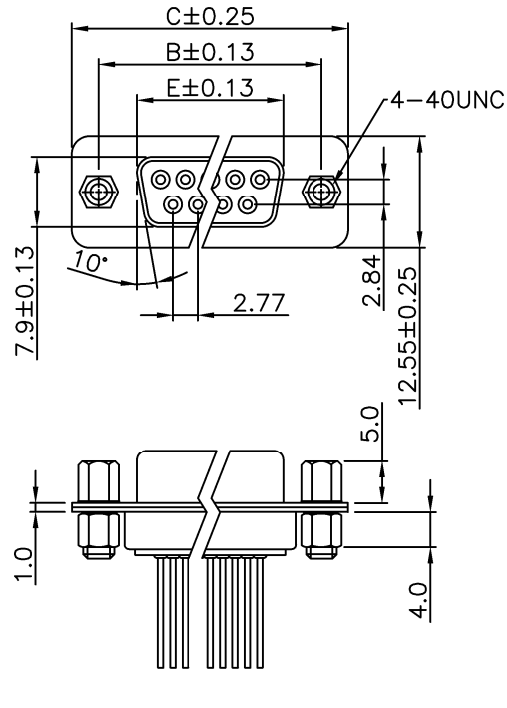


REV.	SPECIFICATION	ECN NO.	APPD.

Male



Female



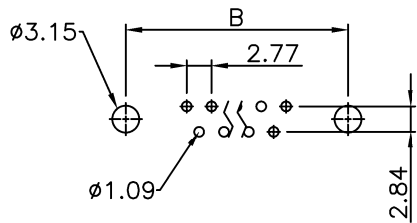
Material:

Housing: PBT, UL94V-0.
 Contacts: Brass, Gold Plated over Nickel 30 u" Min.
 Shell: Steel.

Electrical Characteristics:

Current Rating: 3 AMP.
 Dielectric Withstanding Voltage: AC 1000V.
 Insulation Resistance: 1000MΩ min.
 Contact Resistance: 20mΩ max.
 Operating Temperature: -55°C~+105°C.

***RoHS Compliant**



P.C. Board Layout

7905- xx M T B W G 00 N2N6 A
 Series Position M: Male F: Female B: Black U: Blue W: White
 A: Tray Package
 N2N6: With NUTS 4-40UNC Threaded Riveted On Rear Side and Jack Screws Assembled
 00: G/F
 G: Gold Plated
 W: Wire Wrap

Position	Dimension				
	A	B	C	D	E
9	16.92	24.99	30.81	19.28	16.33
15	25.25	33.32	39.14	27.51	24.66
25	38.96	47.04	53.04	41.30	38.38
37	55.42	63.50	69.32	57.71	54.84

Tolerances	Dwg. No.	7905D03013	Title:	
x = ±0.5	Projection		7905 Series	
.x = ±0.25	Unit	mm	Scale	1:1
.xx = ±0.15	Drawn By	Jerry 10/18'19	Ø767	D-SUB Straight Wire Wrap type

OUPIIN			
OUPIIN ELECTRONIC(KUNSHAN) CO., LTD.			
P/N: 7905-xxMTBWG00N2N6A&7905-xxFTBWG00N2N6A			
SHEET	1/1	Ver.No.	A7