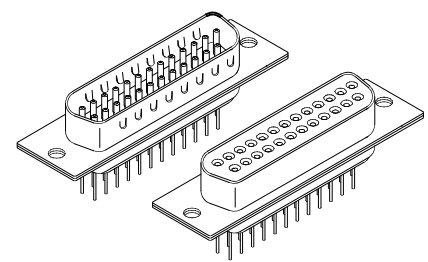


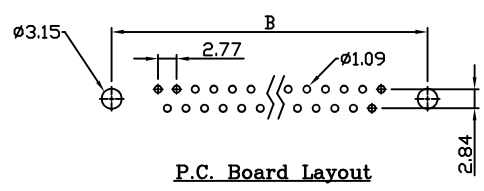
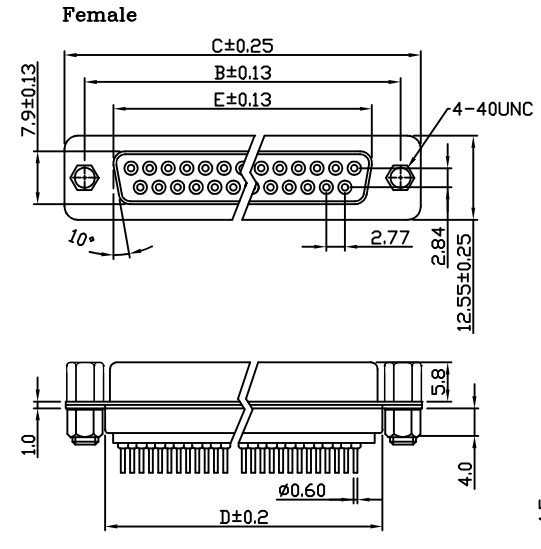
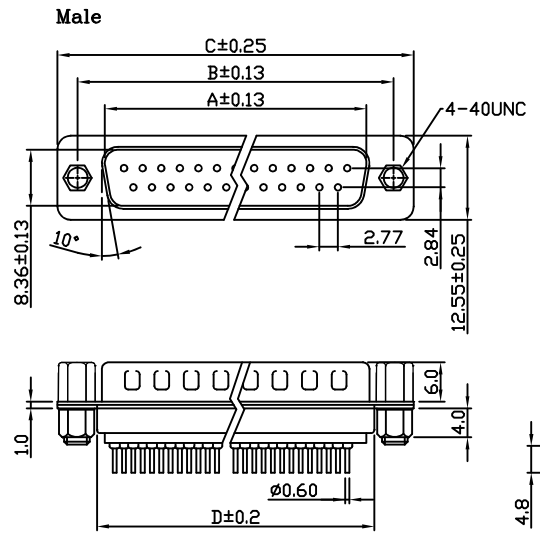
| | | | |
|------|---------------|---------|-------|
| REV. | SPECIFICATION | ECN NO. | APPD. |
| | | | |



Material:
Housing: PBT, UL94V-0.
Contacts: Brass, Gold Plated over Nickel 30 u" Min.
Shell: Steel.

Electrical Characteristics:
Current Rating: 1 AMP.
Dielectric Withstanding Voltage: AC 1000V.
Insulation Resistance: 1000MΩ min.
Contact Resistance: 20mΩ max.
Operating Temperature: -55°C~+105°C.

***RoHS Compliant**



7905- xx x T B G 00 N2N6 A

Series: 7905-
Position: xx
M: Male
F: Female
B: Black
U: Blue
W: White

T: Tray Package
B: With NUTS 4-40UNC
G: Threaded Riveted On
00: G/F
A: Assembled

| Position | Dimension | | | | |
|----------|-----------|-------|-------|-------|-------|
| | A | B | C | D | E |
| 9 | 16.92 | 24.99 | 30.81 | 19.28 | 16.33 |
| 15 | 25.25 | 33.32 | 39.14 | 27.51 | 24.66 |
| 25 | 38.96 | 47.04 | 53.04 | 41.30 | 38.38 |
| 37 | 55.42 | 63.50 | 69.32 | 57.71 | 54.84 |

| | | |
|-------------------|-------------------|----------------|
| Tolerances | Dwg. No. | 7905D03020 |
| x = ±0.5 | Projection | |
| .x = ±0.25 | Unit | mm |
| .xx = ±0.15 | Scale | 1:1 |
| | Drawn By | Jerry 10/14'19 |

Title:
7905 Series
D-SUB Straight Type
Ø767

OUPIIN
OUPIIN ELECTRONIC(KUNSHAN) CO., LTD.
P/N:7905-xxMTBG00N2N6A&7905-xxFTBG00N2N6A

| | | | |
|--------------|-----|----------------|----|
| SHEET | 1/1 | Ver.No. | A1 |
|--------------|-----|----------------|----|