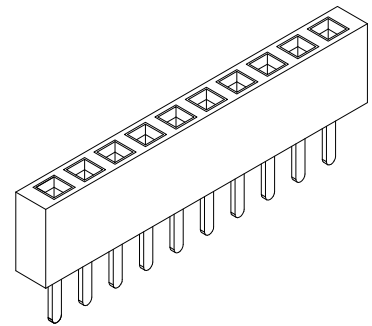
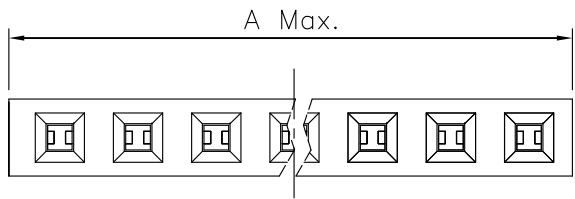


REV.	SPECIFICATION	ECN NO.	APPD.
R3		ECN151236	

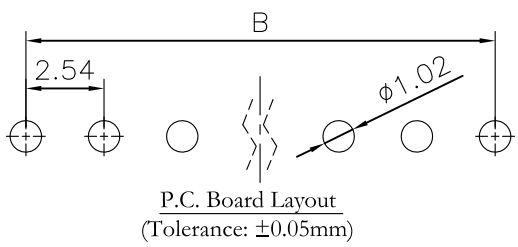
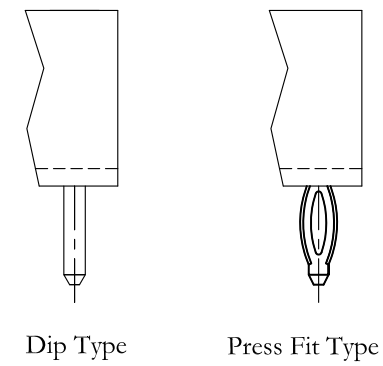
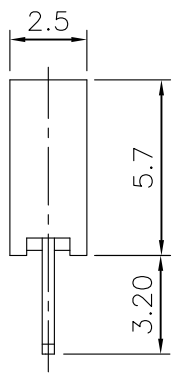
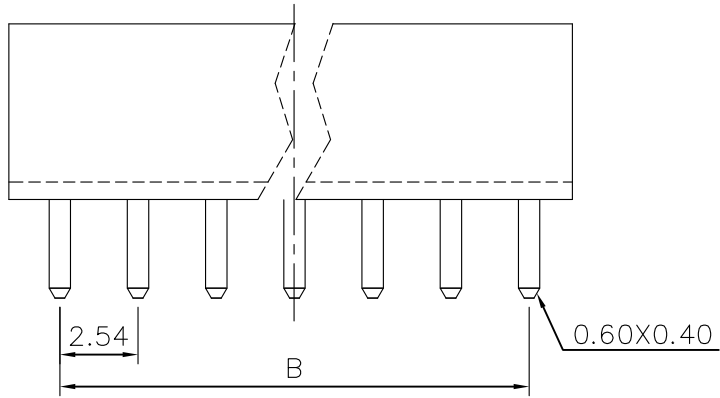


Material:
Housing: Thermoplastic Polyester Glass Filled UL94V-0.
Contacts: Copper Alloy.

Electrical Characteristics:
Current Rating: 2 AMP.
Dielectric Withstanding Voltage: AC 1000V For 1 minute.
Insulator Resistance: 1000MΩ min. at DC 500V.
Contact Resistance: 20mΩ max. at DC 100mA.
Operating Temperature: -55°C~+105°C .

***RoHS Compliant**

Insertion Depth: 2.55mm to 3.80mm.



2042- 1 X xx G xx S x A

Series: 2042-
Single Row: 1
No. of Pin Per Row: xx
G: Gold Plated
T: Tin Plated

S: Straight
00: G/F
10: 10 μ"
15: 15 μ"
30: 30 μ"

A: Tray Package
B: Bulk Package
Blank: Dip
P: Press Fit

Position	2 Thru 40
Dimension	2 Thru 40
A	2.54 X No. of Position
B	2.54 X No. of Position -2.54

Tolerances	Dwg. No.	2042-D0000-001	Title:	
x = ±0.5	Projection		2042 Series	
.x = ±0.25	Unit	mm	Scale	1:1
.xx = ±0.15	Drawn By	zbs 02/29'16	P.C.B. Socket 2.54mm (0.100")	

OUPIIN ELECTRONIC(KUNSHAN) CO., LTD.			
P/N: 2042-1XxxGxxSxA			
SHEET	1/1	Ver.No.	R3