

REV.	SPECIFICATION	ECN NO.	APPD.
R1			

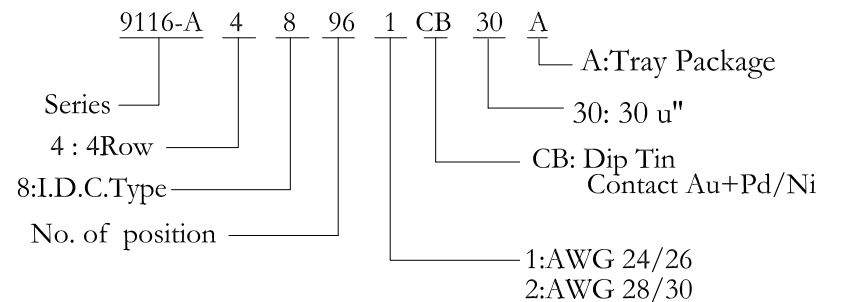
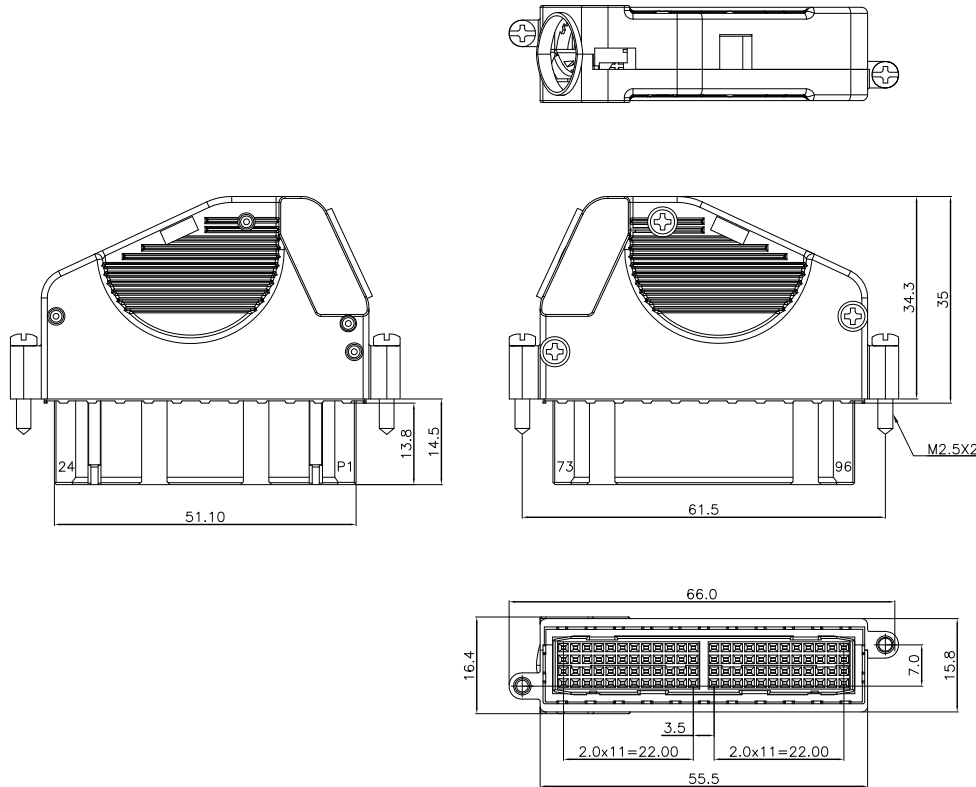
Material:

Insulator: Thermoplastic Polyester Glass Filled UL94V-0.
 Shroud Housing: Thermoplastic Polyester Glass Filled UL94V-0.
 Contacts: Copper Alloy.
 Cover: Zinc Alloy.
 Cable Clamp: Steel.
 Ground Strip: Steel.
 Screw: Steel.

Electrical Characteristics:

Current Rating: 1 AMP.
 Dielectric Withstanding Voltage: AC 1000V For 1 minute.
 Insulator Resistance: 5000MΩ min.
 Contact Resistance: 50mΩ max.
 Operating Temperature: -55°C ~+125°C .

***RoHS Compliant**



Tolerances	Dwg. No.	9116-D0000-006		Title:
x = ±0.5	Projection	⊕ ↗		9116 Series
.x = ±0.38	Unit	mm	Scale	2.00mm 4X24 IDC
.xx = ±0.25	Drawn By	Vic Lyu	03/26'15	Cable Connector

① 000

OUPIN			
OUPIN ELECTRONIC(KUNSHAN) CO., LTD.			
P/N: 9116-A48961CB30A			
SHEET	1/1	Ver. No.	A1