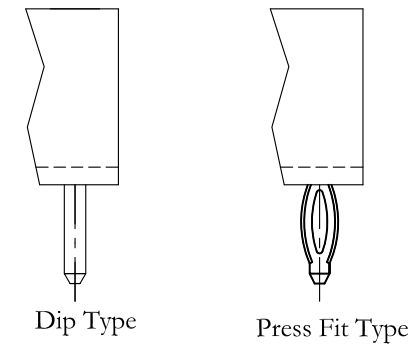
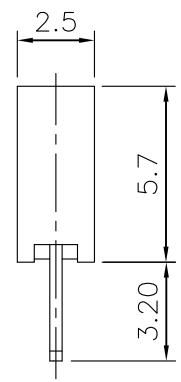
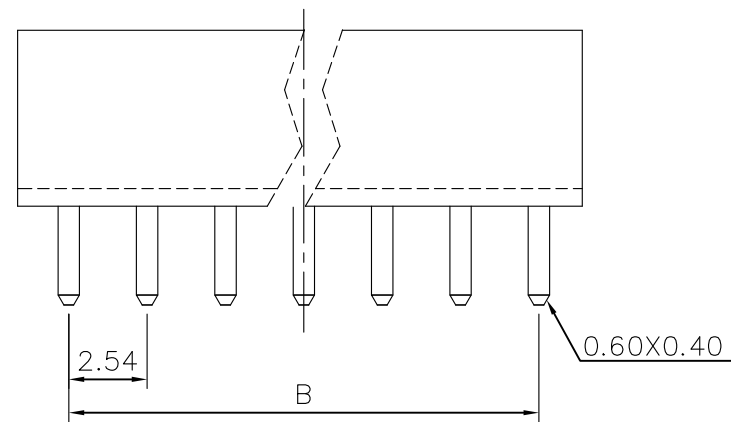
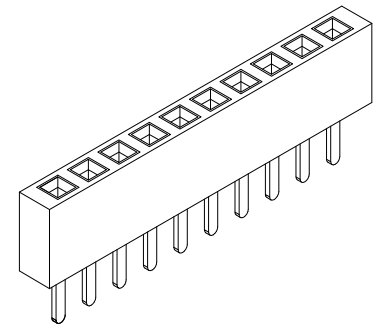
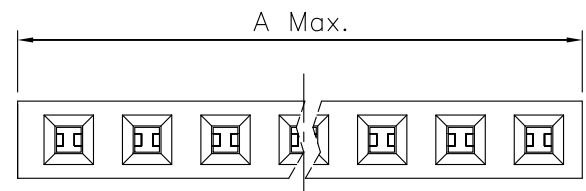
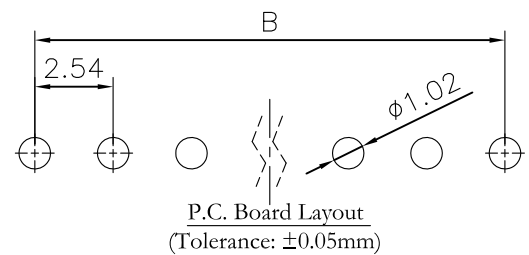


REV.	SPECIFICATION	ECN NO.	APPD.
R4		ECN151236	



Material:
Housing: High Temperature Plastic UL94V-0.
Contacts: Copper Alloy.

Electrical Characteristics:
Current Rating: 2 AMP.
Dielectric Withstanding Voltage: AC 1000V For 1 minute.
Insulator Resistance: 1000MΩ min. at DC 500V.
Contact Resistance: 20mΩ max. at DC 100mA.
Operating Temperature: -55°C~+105°C .
***RoHS Compliant**
Insertion Depth: 2.55mm to 3.80mm.



2042- 1 X xx G xx S x A -HT

- Series
- Single Row
- No. of Pin Per Row
- G: Gold Plated
- T: Tin Plated
- High Temperature Plastic
- A: Tray Package
- B: Bulk Package
- Blank: Dip Type
- P: Press Fit Type
- S: Straight

00: G/F
10: 10 μ"
15: 15 μ"
30: 30 μ"

Position Dimension	2 Thru 40
A	2.54 X No. of Position
B	2.54 X No. of Position -2.54

Tolerances	Dwg. No.	2042-D0000-007
x = ±0.5	Projection	
.x = ±0.25	Unit	mm
.xx = ±0.15	Scale	1:1
	Drawn By	zbs 02/29'16

Title:
2042 Series
P.C.B. Socket 2.54mm
(0.100")

OUPIN
OUPIN ELECTRONIC(KUNSHAN) CO., LTD.
P/N: 2042-1XxxGxxSxA-HT

SHEET	1/1	Ver.No.	R4
--------------	-----	----------------	----